

THIS DRAWING IS UNPUBLISHED.

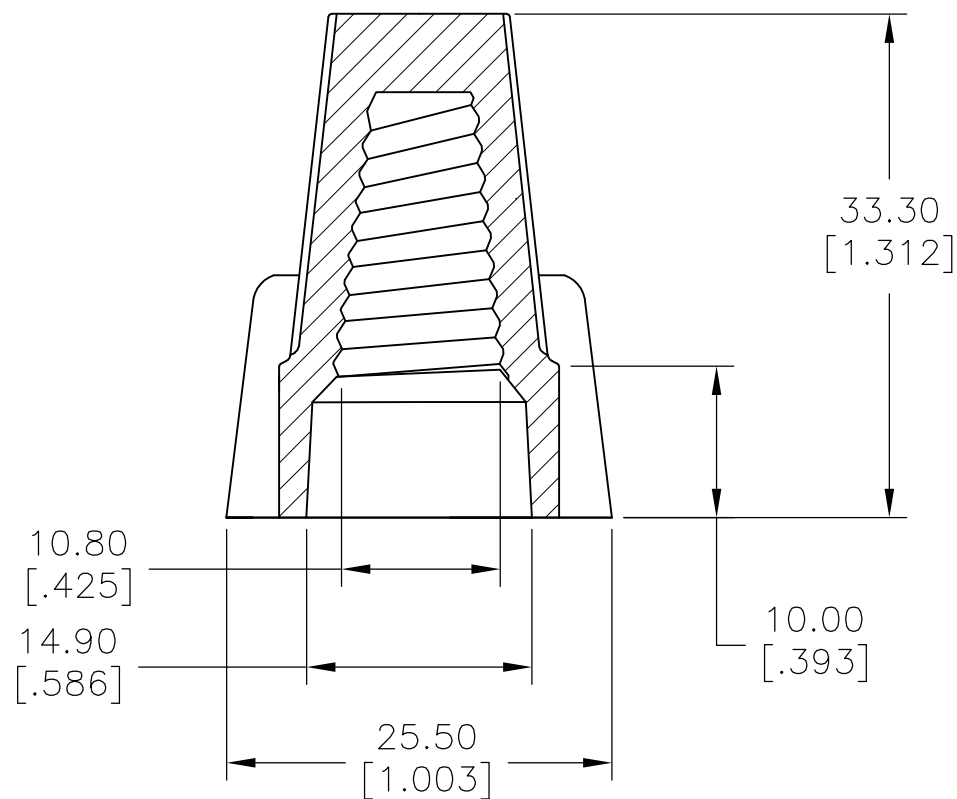
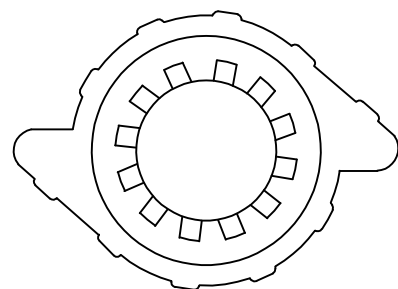
RELEASED FOR PUBLICATION

ALL RIGHTS RESERVED.

© COPYRIGHT - By -


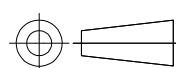
REVISIONS

P	LTR	DESCRIPTION	DATE	DWN	APVD
	A	NEW DRAWING	14JAN2016	NK	RH



- 1 WORKING TEMPERATURE: 105° C
- 2 VOLTAGE: 600V MAX.
- 3 COLOR: GREY
- 4 WIRE RANGE: #18-#8 AWG MAX.3#10 MIN.3#14 W/1 #18
- 5 SPRING INSERT: STEEL

2299509-1 AS SHOWN

THIS DRAWING IS A CONTROLLED DOCUMENT.		DWN NAGALAKSHMI K 14JAN2016	 <b>TE Connectivity</b>			
DIMENSIONS: mm [INCHES]		CHK HILL RYAN 14JAN2016				
TOLERANCES UNLESS OTHERWISE SPECIFIED:		APVD HILL RYAN 14JAN2016	NAME CPGI-WC-TG-GR-BULK			
 <ul style="list-style-type: none"> <li>0 PLC ± -</li> <li>1 PLC ± 0.2[.007]</li> <li>2 PLC ± 0.4[.015]</li> <li>3 PLC ± -</li> <li>4 PLC ± -</li> <li>ANGLES ± -</li> </ul>		PRODUCT SPEC -	RESTRICTED TO -			
MATERIAL TOUGH THERMOPLASTIC UL 94V-2 FLAME-RETARDANT		FINISH -	APPLICATION SPEC -	SIZE A3	CAGE CODE 00779	DRAWING NO C-2299509
CUSTOMER DRAWING			WEIGHT -	SCALE 2:1	SHEET 1 OF 1	REV A