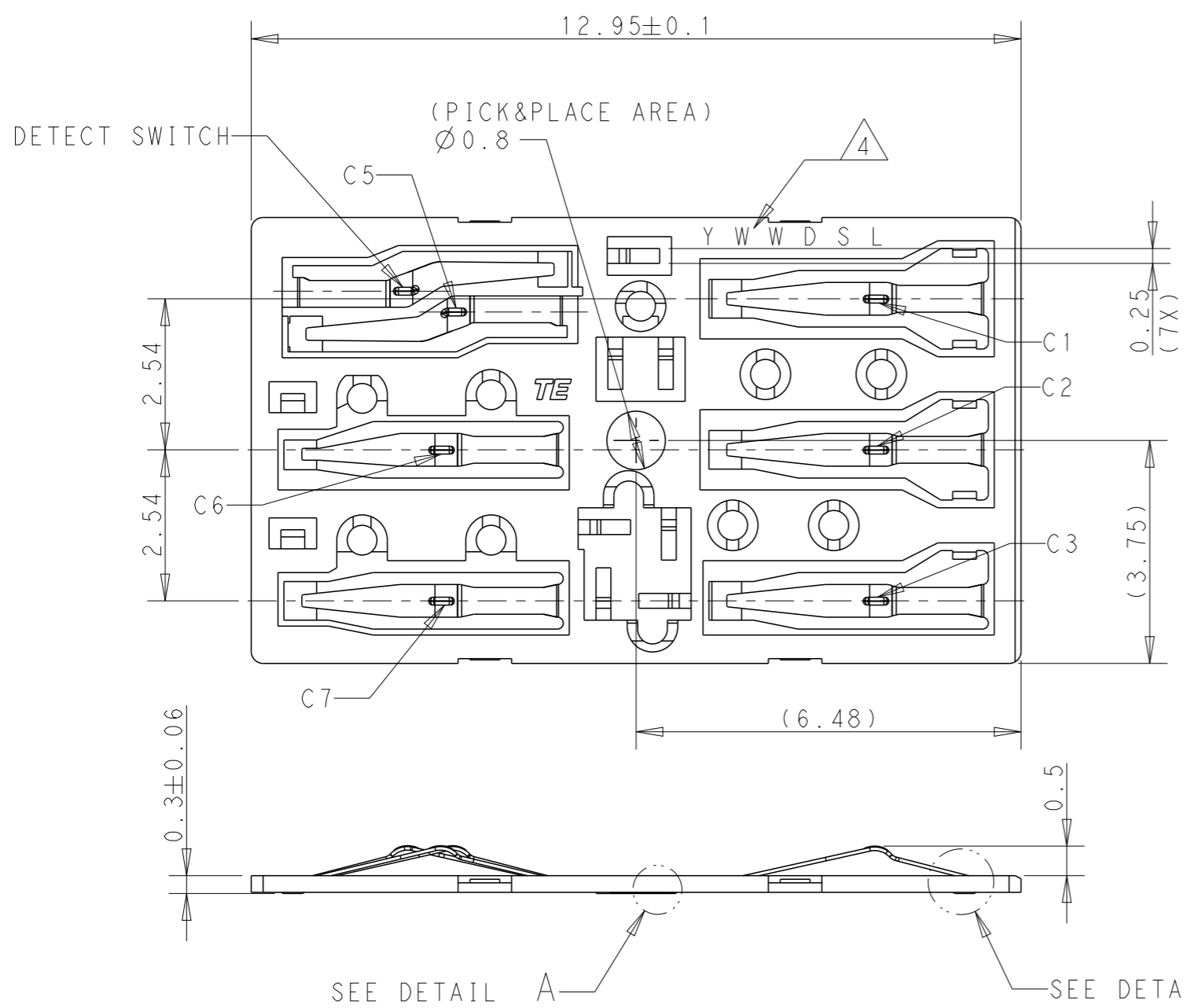
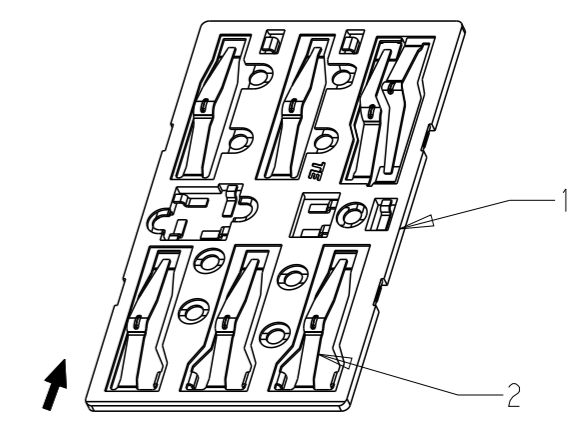


THIS DRAWING IS UNPUBLISHED. RELEASED FOR PUBLICATION 20
 © COPYRIGHT 20 BY - ALL RIGHTS RESERVED.

REVISIONS					
P	LTR	DESCRIPTION	DATE	DWN	APVD
B		REVISED PER ECR-15-014913	12OCT2015	R.Z.	C.W.
B1		REVISED PER ECR-16-004567	16JUN2016	R.Z.	C.W.

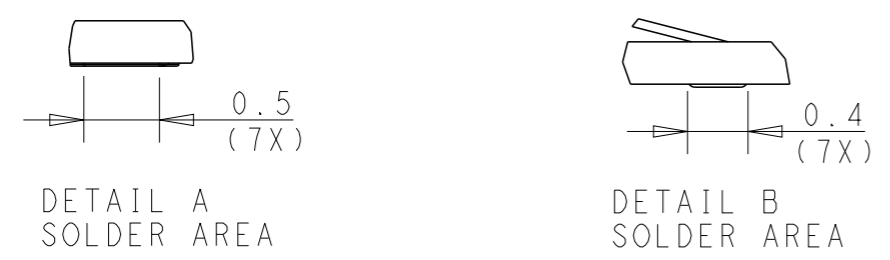


- NOTES:
- 1. HOUSING MATERIAL: THERMO PLASTIC RESIN.
 - 2. CONTACT MATERIAL: COPPER ALLOY.
 - 3. FINISH :
 50u" MIN. NICKEL UNDERPLATING ALL OVER,
 GOLD PLATING 2u" MIN. ON CONTACT AREA
 12u" MIN. Pd/Ni ON CONTACT AREA
 GOLD PLATING 1u" MIN. ON SOLDER AREA
 - 4. COPLANARITY: 0.08MAX. (BEFORE IR)
 - 5. DATE CODE:
 YW WDSL (YEAR, WEEK, DAY, SHIFT, LINE)
 - 6. ASSISTANT PAD FOR CONTACT



CARD INSERTION DIRECTION

2286237-1	2	CONTACT	
	1	HOUSING	
P/N	ITEM	COMPONENT	MATERIAL/FINISH

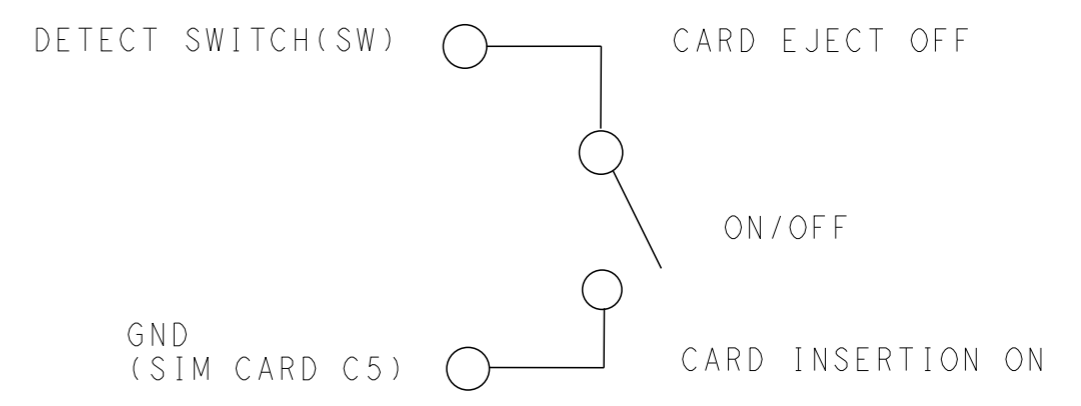
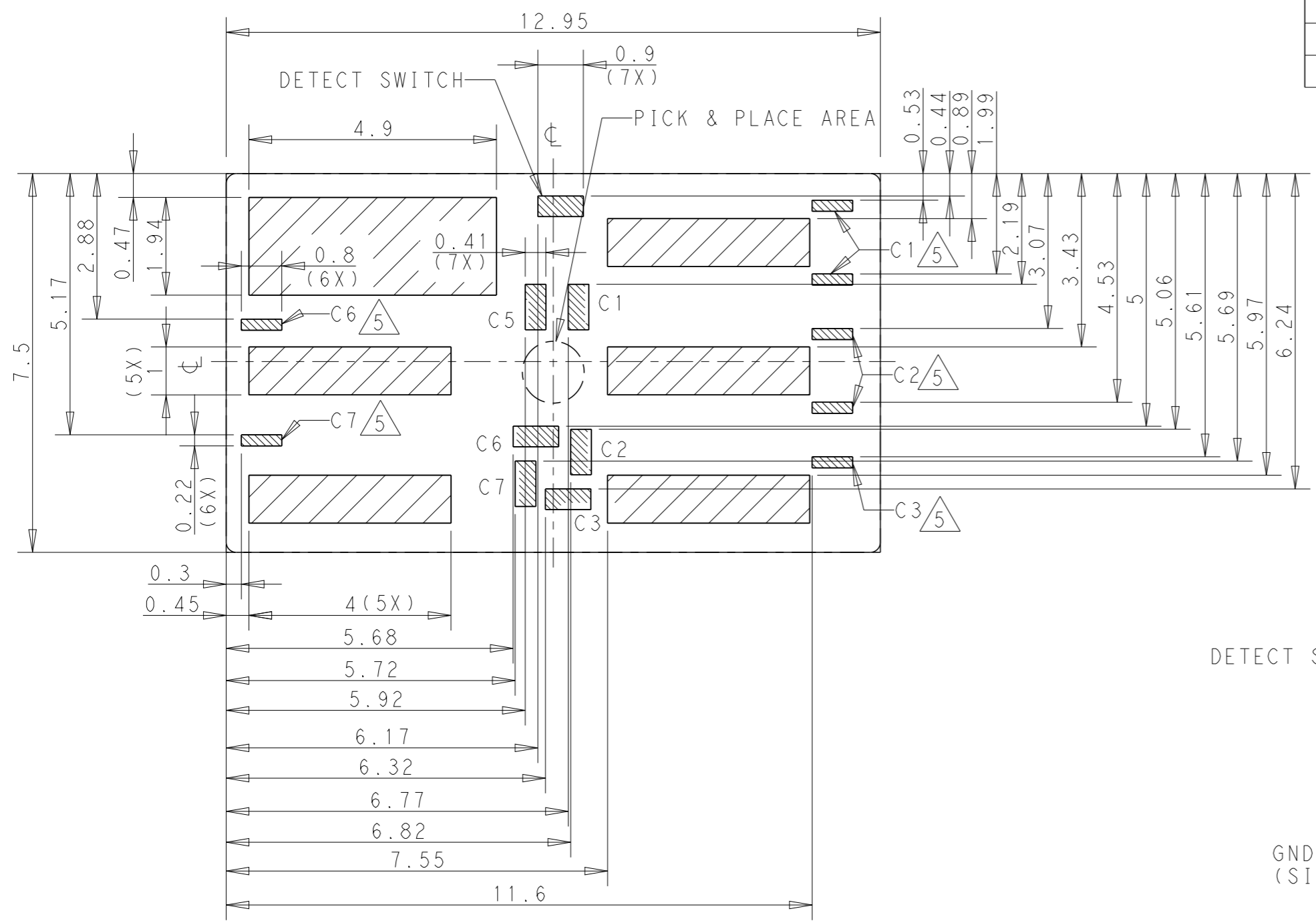


THIS DRAWING IS A CONTROLLED DOCUMENT.


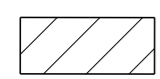
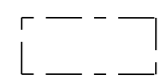
DIMENSIONS:	TOLERANCES UNLESS OTHERWISE SPECIFIED:
mm	0 PLC ±-
	1 PLC ±0.3
	2 PLC ±0.1
	3 PLC ±-
	4 PLC ±-
	ANGLES ±3°
MATERIAL	FINISH
material_2	finish_spec_2

DWN	E.F.	11-Mar-15	TE Connectivity
CHK	S.L.	11-Mar-15	
APVD	C.W.	11-Mar-15	
PRODUCT SPEC	108-115089		
APPLICATION SPEC	-		NAME
WEIGHT	0.048g		ANTI-BUCKLING BLOCK SIM CONNECTOR
CUSTOMER DRAWING	SCALE	-	RESTRICTED TO
	SHEET	1 OF 4	
	REV	B1	

REVISIONS					
P	LTR	DESCRIPTION	DATE	DWN	APVD
-	-	SEE SHEET 1	-	-	-



CIRCUIT DRAWING OF SWITCH

-  SOLDER AREA
-  NO WIRE AREA
-  CONNECTOR BOUNDARY

THIS DRAWING IS A CONTROLLED DOCUMENT.		DWN E.F.	11-Mar-15	STE TE Connectivity
DIMENSIONS: mm		CHK S.L.	11-Mar-15	
TOLERANCES UNLESS OTHERWISE SPECIFIED: 0 PLC ±- 1 PLC ±0.3 2 PLC ±0.1 3 PLC ±- 4 PLC ±- ANGLES ±3°		APVD C.W.	11-Mar-15	
MATERIAL material_2		FINISH finish_spec_2	PRODUCT SPEC 108-115089	
		APPLICATION SPEC -	WEIGHT 0.048g	NAME ANTI-BUCKLING BLOCK SIM CONNECTOR
		CUSTOMER DRAWING	SCALE -	SIZE A3
			SHEET 2 OF 4	CAGE CODE 00779
			RESTRICTED TO -	DRAWING NO C-2286237
			REV B1	

4

3

2

1

THIS DRAWING IS UNPUBLISHED.

RELEASED FOR PUBLICATION

20

© COPYRIGHT 20

BY -

ALL RIGHTS RESERVED.

REVISIONS

P	LTR	DESCRIPTION	DATE	DWN	APVD
-	-	SEE SHEET 1	-	-	-

BLOCK CONNECTOR

MICRO-SIM CARD

DETECT SWITCH

C5

C6

C7

C1

C2

C3

TE Connectivity

(0.82)

(0.82)

REFERENCE INSERTION SITUATION
MICRO-SIM CARD

NANO-SIM CARD

BLOCK CONNECTOR

DETECT SWITCH

C6

C7

C1

C2

C3

TE Connectivity

(0.6)

(0.33)

REFERENCE INSERTION SITUATION
NANO-SIM CARD

THIS DRAWING IS A CONTROLLED DOCUMENT.

DWN E.F. 11-Mar-15

CHK S.L. 11-Mar-15

APVD C.W. 11-Mar-15

PRODUCT SPEC

108-115089

APPLICATION SPEC

-

WEIGHT

0.048g

CUSTOMER DRAWING

NAME
ANTI-BUCKLING BLOCK SIM
CONNECTOR

SIZE CAGE CODE DRAWING NO RESTRICTED TO

A300779 C-2286237 -

SCALE SHEET 3 OF 4 REV B1

DIMENSIONS:

mm

TOLERANCES UNLESS OTHERWISE SPECIFIED:

0 PLC	±-
1 PLC	±0.3
2 PLC	±0.1
3 PLC	±-
4 PLC	±-
ANGLES	±3°

MATERIAL

material_2

FINISH

finish_spec_2

NAME
ANTI-BUCKLING BLOCK SIM
CONNECTOR

SIZE CAGE CODE DRAWING NO RESTRICTED TO

A300779 C-2286237 -

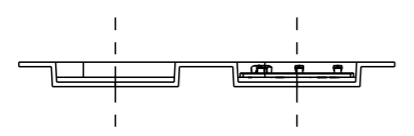
SCALE SHEET 3 OF 4 REV B1

1470-19 (3/13)

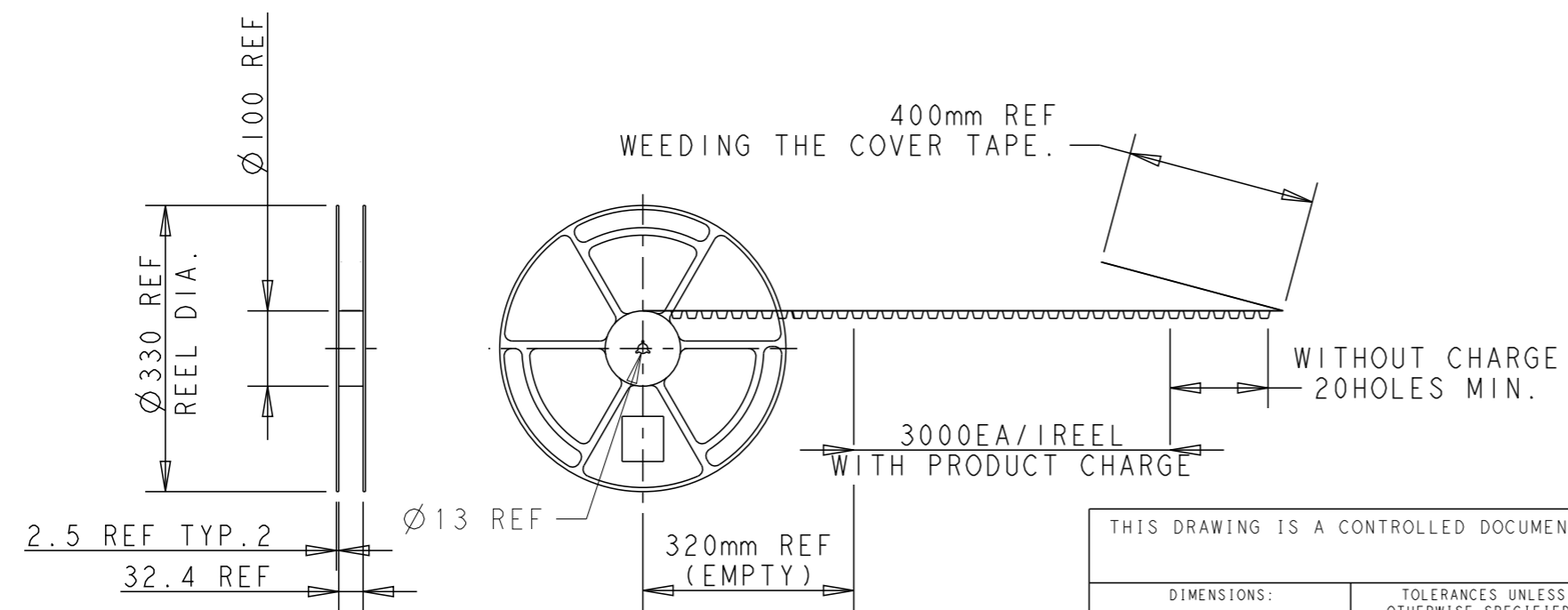
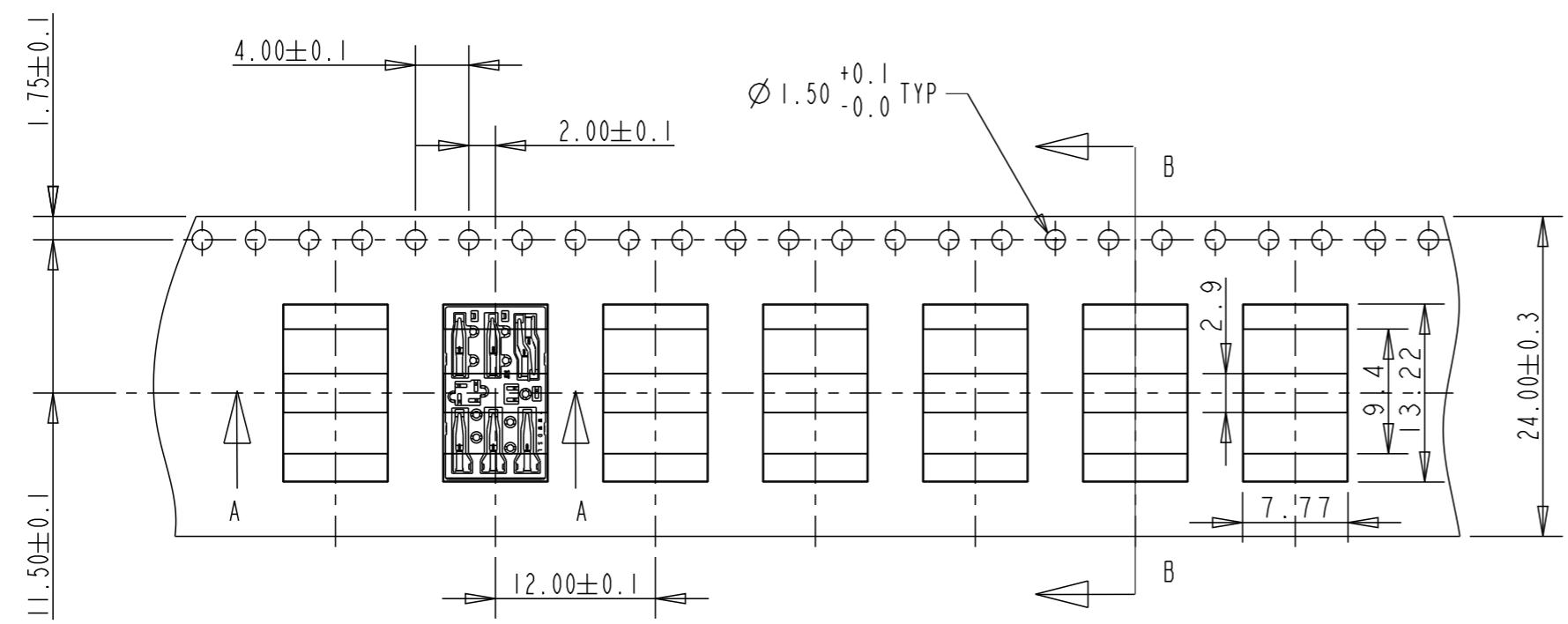
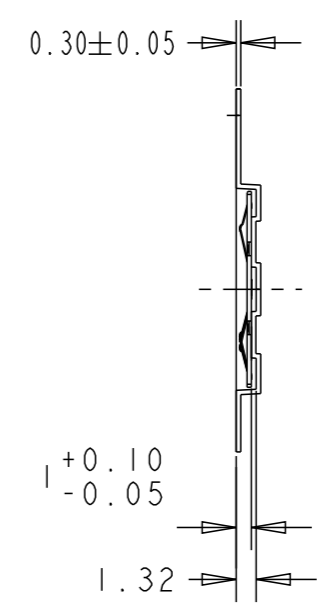
THIS DRAWING IS UNPUBLISHED. RELEASED FOR PUBLICATION 20
 © COPYRIGHT 20 BY - ALL RIGHTS RESERVED.

REVISIONS					
P	LTR	DESCRIPTION	DATE	DWN	APVD
-	-	SEE SHEET 1	-	-	-

SECTION A-A



SECTION B-B



THIS DRAWING IS A CONTROLLED DOCUMENT.		DWN E.F. 11-Mar-15	TE Connectivity	
DIMENSIONS: mm		CHK S.L. 11-Mar-15		
TOLERANCES UNLESS OTHERWISE SPECIFIED:		APVD C.W. 11-Mar-15	NAME ANTI-BUCKLING BLOCK SIM CONNECTOR	
0 PLC ±-		PRODUCT SPEC 108-115089	SIZE CAGE CODE DRAWING NO RESTRICTED TO	
1 PLC ±0.3		APPLICATION SPEC -	A300779 C-2286237	
2 PLC ±0.1		WEIGHT 0.048g	SCALE 4:1 SHEET 4 OF 4 REV B1	
3 PLC ±-		CUSTOMER DRAWING		
4 PLC ±-				
ANGLES ±3°				
MATERIAL material_2				
FINISH finish_spec_2				