

PART  
NAME

PLASTIBOX (STYLE A)

PART  
No.

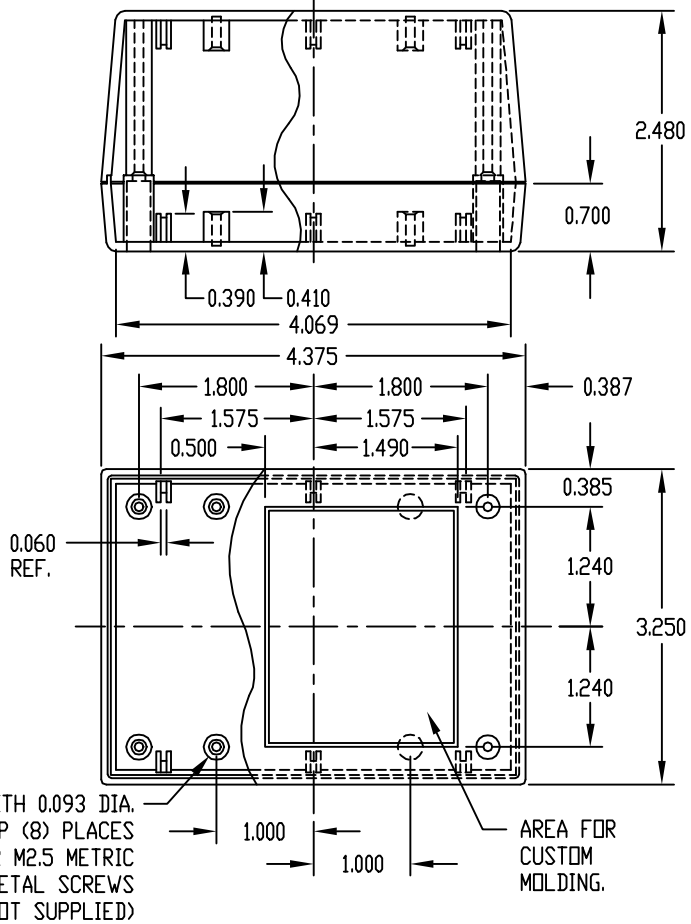
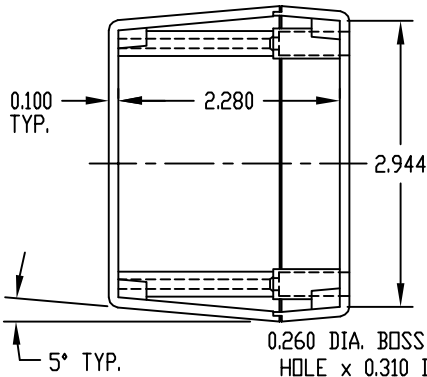
PT-11380

MATERIAL: HIGH-IMPACT ABS  
COLOR: BLACK OR GRAY  
FINISH: TEXTURED BODY WITH  
TEXTURED TOP

FOUR (4) #4 x 0.375" LG. SCREWS  
SUPPLIED FOR ASSEMBLING TOP.

FOUR (4) NON-SKID PUSH-ON FEET SUPPLIED

NOTE: ALL DIMENSIONS HAVE ±0.015 TOLERANCE  
UNLESS OTHERWISE SPECIFIED.



0.260 DIA. BOSS WITH 0.093 DIA.  
HOLE x 0.310 DEEP (8) PLACES  
MOUNTING BOSSES USE EITHER M2.5 METRIC  
OR #4 STD. SHEET METAL SCREWS  
x 0.250" LG. (NOT SUPPLIED)

PART  
NAME

PLASTIBOX (STYLE A)

PART  
No.

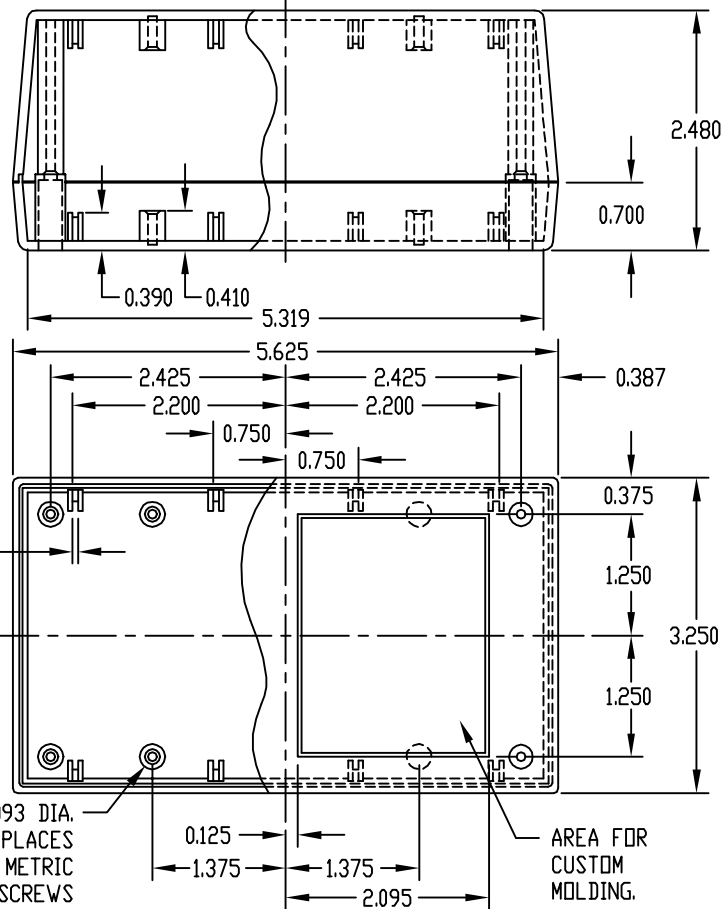
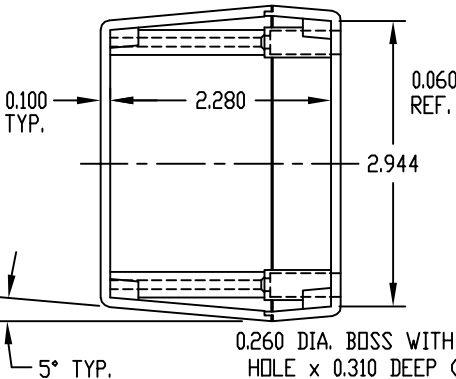
PT-11388

MATERIAL: HIGH-IMPACT ABS  
COLOR: BLACK OR GRAY  
FINISH: TEXTURED BODY WITH  
TEXTURED TOP

FOUR (4) #4 x 0.375" LG. SCREWS  
SUPPLIED FOR ASSEMBLING TOP.

FOUR (4) NON-SKID PUSH-ON FEET SUPPLIED

NOTE: ALL DIMENSIONS HAVE ±0.015 TOLERANCE  
UNLESS OTHERWISE SPECIFIED.



0.260 DIA. BOSS WITH 0.093 DIA.  
HOLE x 0.310 DEEP (8) PLACES  
MOUNTING BOSSES USE EITHER M2.5 METRIC  
OR #4 STD. SHEET METAL SCREWS  
x 0.250" LG. (NOT SUPPLIED)