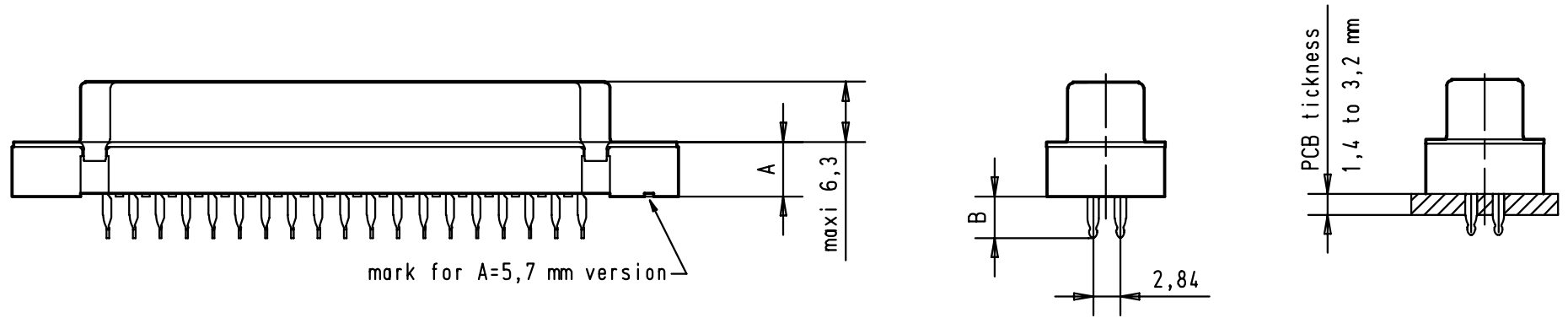


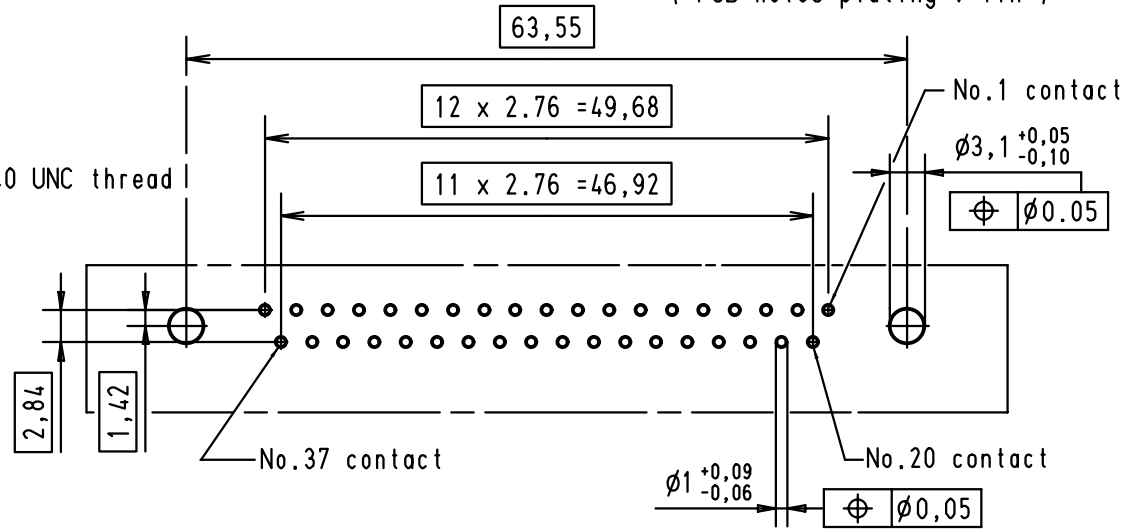
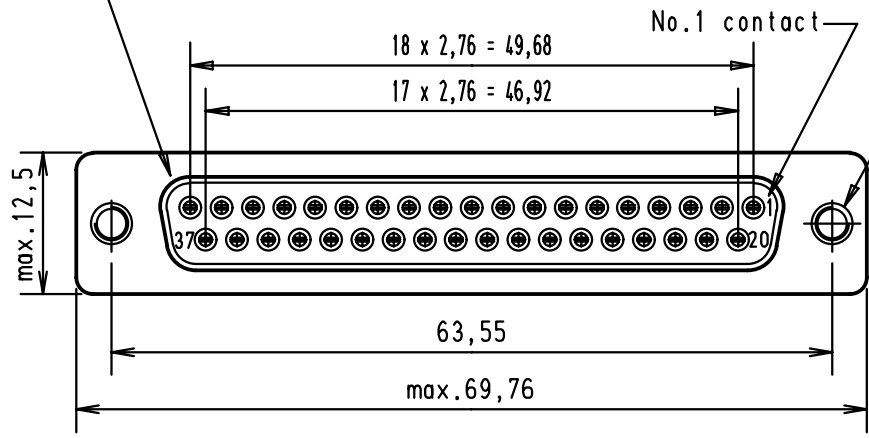
5 4 3 2 1

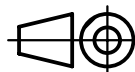



mark for A=5,7 mm version

Mating face according to : MIL-C-24308 / DIN 41652 / CECC 75301-802

PCB layout hole component side ( PCB holes plating : Tin )



A	09664147502	3	6	4.20							 All Dim. in mm Orig. Size DIN A 3	D-Sub 37 poles straight female connector with press-in termination, version nut.	Maßstab/ Scale 2,5:1		
	09664146502	2	6	4.20						Detail.				30/05/95	jfb
	09664145502	0.76 µm Au	6	4.20						Insp.					
	09664147506	3	5.7	4.35						Stand.					
	09664146506	2	5.7	4.35		27980	05/03/01	jfb		HARTING EURL			TB 0966414x50x	Blatt/ Page 3	
	09664145506	0.76 µm Au	5.7	4.35		16236	30/05/95	jfb	F-95972 Paris						
	Part number	Performance level	A ±0.2	B ±0.2	Mod.	Dat.	Name				Sub.				