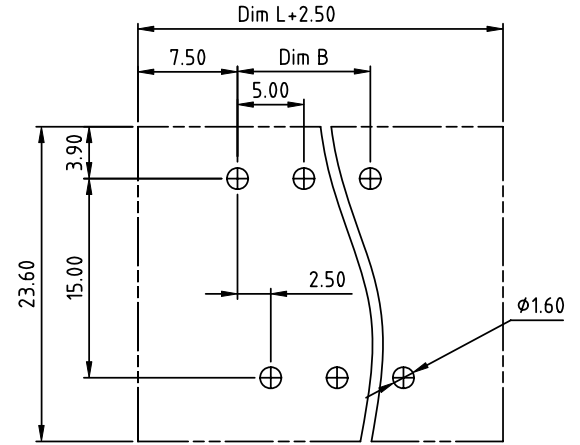
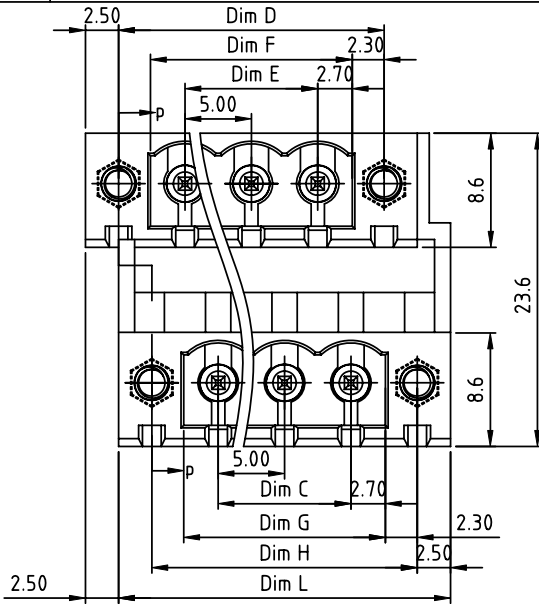
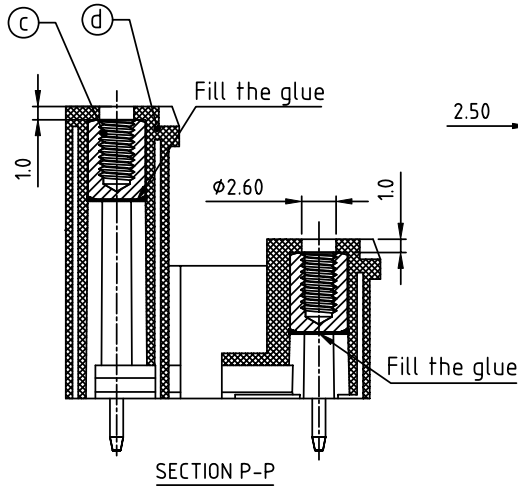


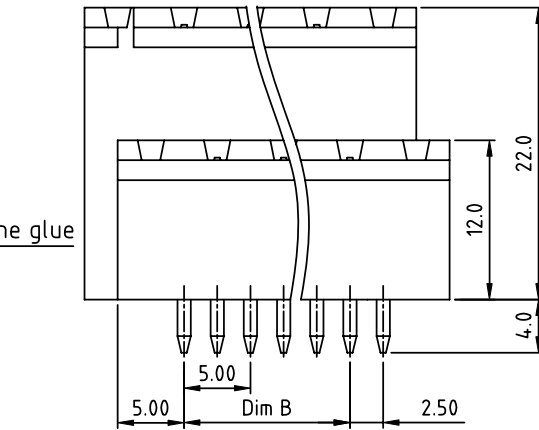
PRODUCT NUMBER	PITCH
VFxx72x000J0G	5.00 mm



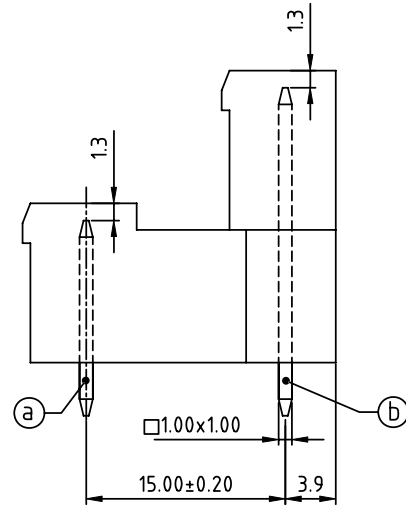
RECOMMENDED P.C.B LAYOUT
TOP VIEW



SECTION P-P



PART NO.: VF xx 72 x 0 00J0 G



Material:

- Item (a) Short pin: Copper, Tin plated
- Item (b) Long pin: Copper, Tin plated
- Item (c) With flange nut: brass M2.5
- Item (d) Terminal (housing): Thermoplastic (UL94V-0)

Electrical cULus

- Voltage rating: 300VAC
- Current rating: 10A
- Withstanding Voltage: 1.6KV
- Operating temperature: -40°C to +115°C
- Soldering temperature: 260°C±5°C/5 Sec
- Safety Approval:

Dimension	Formula
Dim L	(N/2+2)×5.0
Dim B	(N/2-1)×5.0
Dim C	(N/2-1)×5.0
Dim D	(N/2-1)×5.0+10.0
Dim E	(N/2-1)×5.0
Dim F	(N/2-1)×5.0+5.4
Dim G	(N/2-1)×5.0+5.4
Dim H	(N/2-1)×5.0+10.0

N=Number of poles	
Poles	Tolerance
2x2P-2x5P	±0.15
2x6P-2x10P	±0.20
2x11P-2x15P	±0.25
2x16P-2x20P	±0.30
2x21P-2x24P	±0.40

- Solid block
- No. of poles
- Color
- 0 Black (RAL9005)
 - 2 Red (RAL3001/D)
 - 3 Orange (RAL2011/P)
 - 4 Yellow (RAL1018/A)
 - 5 Green (RAL6018/T)
 - 6 Blue (RAL5015/A)
 - 8 Grey (RAL7035/D)
 - 9 White (RAL1102)
 - C Green (RAL6018/U)
- RoHS compliant (lead<4%)
In copper Alloy

mat'l. code	surface ASME Y14.5	tolerance ASME Y14.5	projection	product family
ltr	ecn	no	dr	date
tolerances unless otherwise specified				TERMINAL BLOCK
angles	±	X.±0.5	MM	title
±1°	±	X.X±0.3	scale	TERMINAL BLOCK
dr	EVIN ZHONG	042914	PLUGGABLE SOCKET, WITH FLANGE, VERTICAL	sheet 1 of 1
enr	EVIN ZHONG	042914	FCI	sheet 1 of 1
chr	HANKE FENG	042914	VFxx72x000J0G	A4
appd	SHI JUN	042914	type	CUSTOMER Drawing
sheet index	revision	A		
	sheet	1		