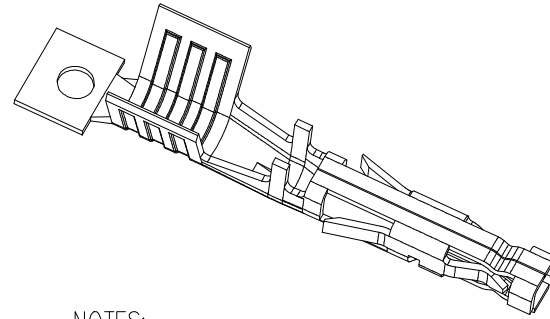
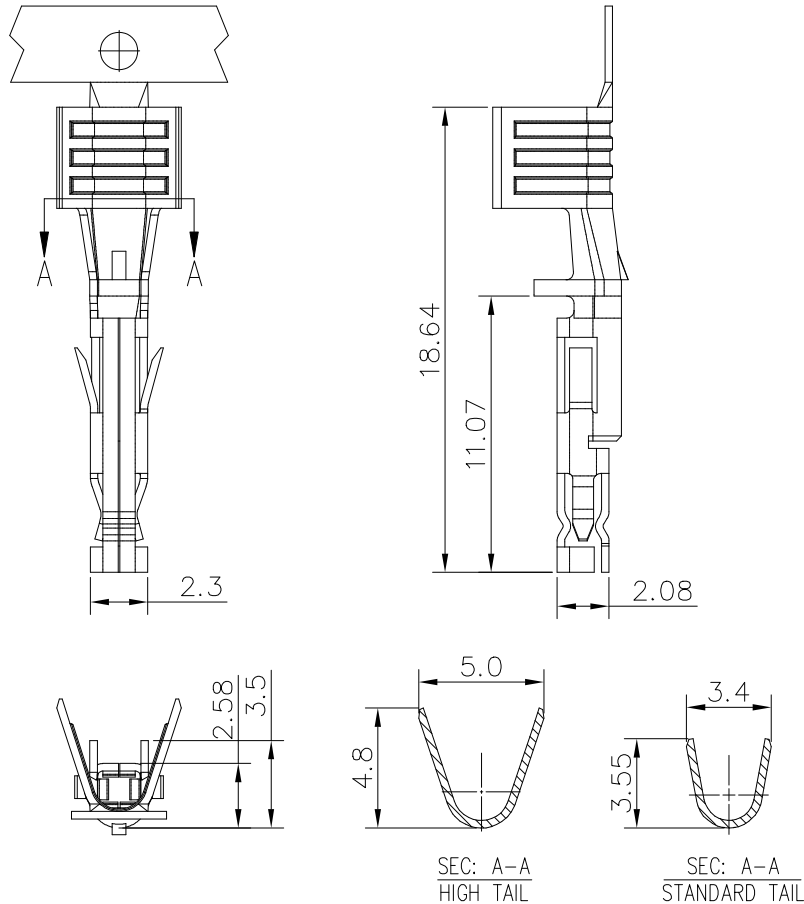


PRODUCT NUMBER

10143250-XXXLF



NOTES:

1. MATERIAL: HIGT CONDUCTIVITY COPPER ALLOY.
2. RoHS & HF COMPLIANT.
3. PART NUMBER SCHEME:

10143250- X X X LF

LEAD FREE

STRUCTURE STATUS:

- 1: STANDARD TAIL (14~16AWG)
- 2: HIGH TAIL (12AWG)

FINISH:

- 0: 30u" GOLD PLATING ON CONTACT AREA AND 100u" TIN PLATING ON SOLDER TAIL
- 1: 15u" GOLD PLATING ON CONTACT AREA AND 100u" TIN PLATING ON SOLDER TAIL
- 2: 100u" TIN PLATING OVER ALL

MATERIAL:

- 1: HIGT CONDUCTIVITY COPPER ALLOY

4: PRODUCT SPEC: GS-12-1405.

5: PACKAGING SPEC: GS-14-2595.

mat'l. code				surface <input checked="" type="checkbox"/> tolerance		projection		product family MINITEK PWR HCC	
ltr				ecn no		dr		date	
B				ELX-N-29475		TONY		2018-03-08	
C				ELX-N-30154		TONY		2018-05-11	
				tolerances unless otherwise specified		mm		title	
				angles		linear		Minitek Pwr 5.7 Crimp Terminal	
				°±5'		.X±0.30		scale N.T.S.	
						.XX±0.20		dwg no	
						.XXX±0.10		sheet 1 of 1	
				dr		TONY_LENG		2017-11-24	
				enr		TONY_LENG		2017-11-24	
				chr		ZK_HU		2017-11-24	
				appd		TIM_YAO		2017-11-24	
sheet index				revision		c		type	
1				1		1		Product Customer Drawing	
								10143250	
								A4	
								Product Customer Drawing	