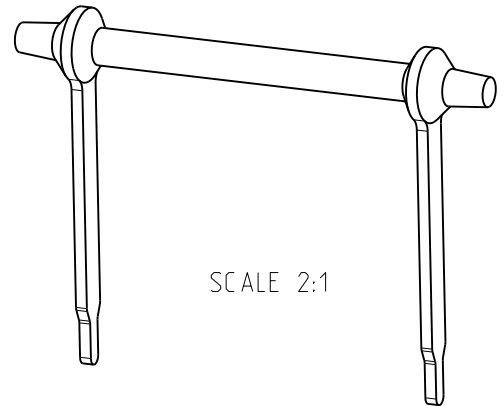
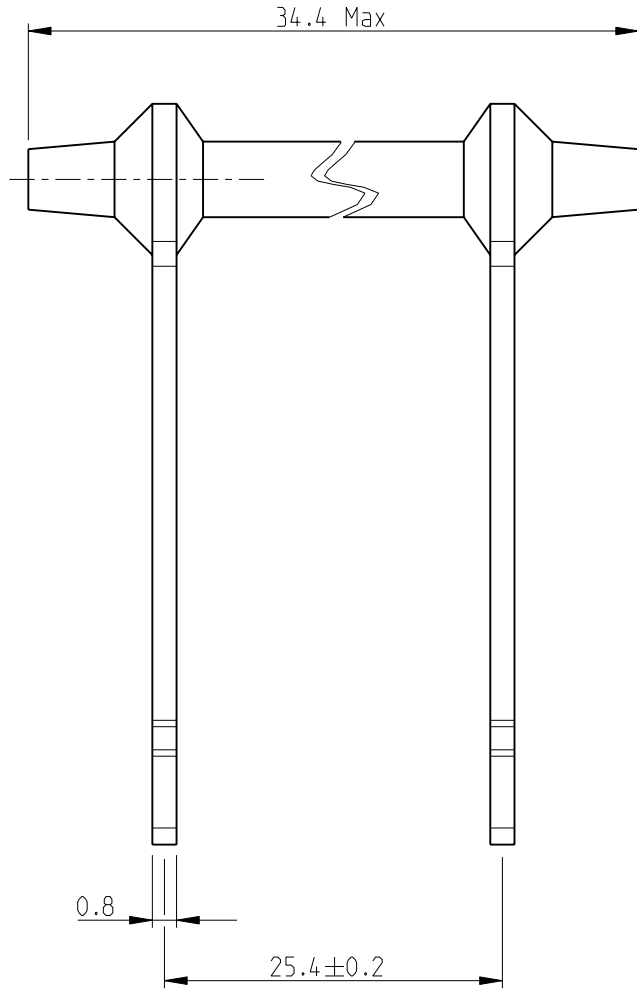
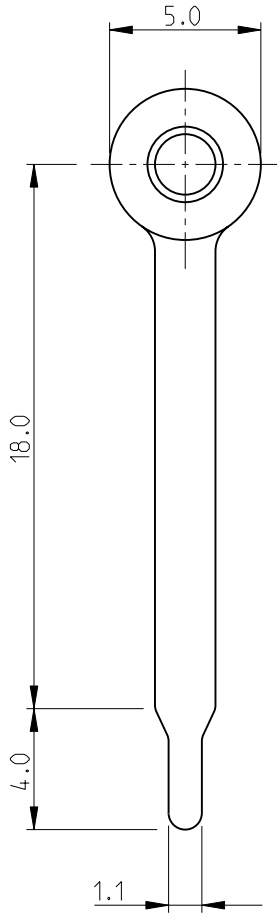


| | | | | | | | |
|-----|------|-----------|-----|-------------|-----------|-----|------|
| LOC | DIST | REVISIONS | | | | | |
| E | B | P | LTR | DESCRIPTION | DATE | DWN | APVD |
| | | | BA | NEW RELEASE | 05-AUG-09 | SM | St.P |



SCALE 2:1

FOR FURTHER INFORMATION SEE DATA SHEET FOR
SERIES FC- HIGH POWER RESISTORS

RoHS Compliant

2009

RELEASED FOR PUBLICATION

THIS DRAWING IS UNPUBLISHED.

BY TYCO ELECTRONICS CORPORATION. ALL RIGHTS RESERVED.
COPYRIGHT 2009

| | | | | | | | |
|--|-------|-----------|------------------|--|-----------|------------|---------------|
| DIMENSIONS: mm | DWN | SUBHASH.M | 05-AUG-09 | MATERIAL | - | FINISH | - |
| | CHK | ALLAN.P | 05-AUG-09 | Tyco Electronics Corporation Dorcan, Swindon, SN3 5HH | | | |
| TOLERANCES UNLESS OTHERWISE SPECIFIED: | APVD | STEPHEN.P | 05-AUG-09 | | | | |
| | 0 PLC | ±0.5 | PRODUCT SPEC | NAME | | | |
| 1 PLC | ±0.2 | - | APPLICATION SPEC | HIGH POWER RESISTORS | | | |
| 2 PLC | ±0.1 | - | - | SERIES FCB6 (HIGH PROFILE STANDOFF) | | | |
| 3 PLC | ± | - | - | SIZE | CAGE CODE | DRAWING NO | RESTRICTED TO |
| 4 PLC | ±- | - | - | A 4 | 00779 | ©-1623715 | - |
| ANGLES | ±5° | - | WEIGHT | - | - | - | - |
| CUSTOMER DRAWING | | | | SCALE | 4:1 | SHEET | 1 OF 1 |
| | | | | REV BA | | | |