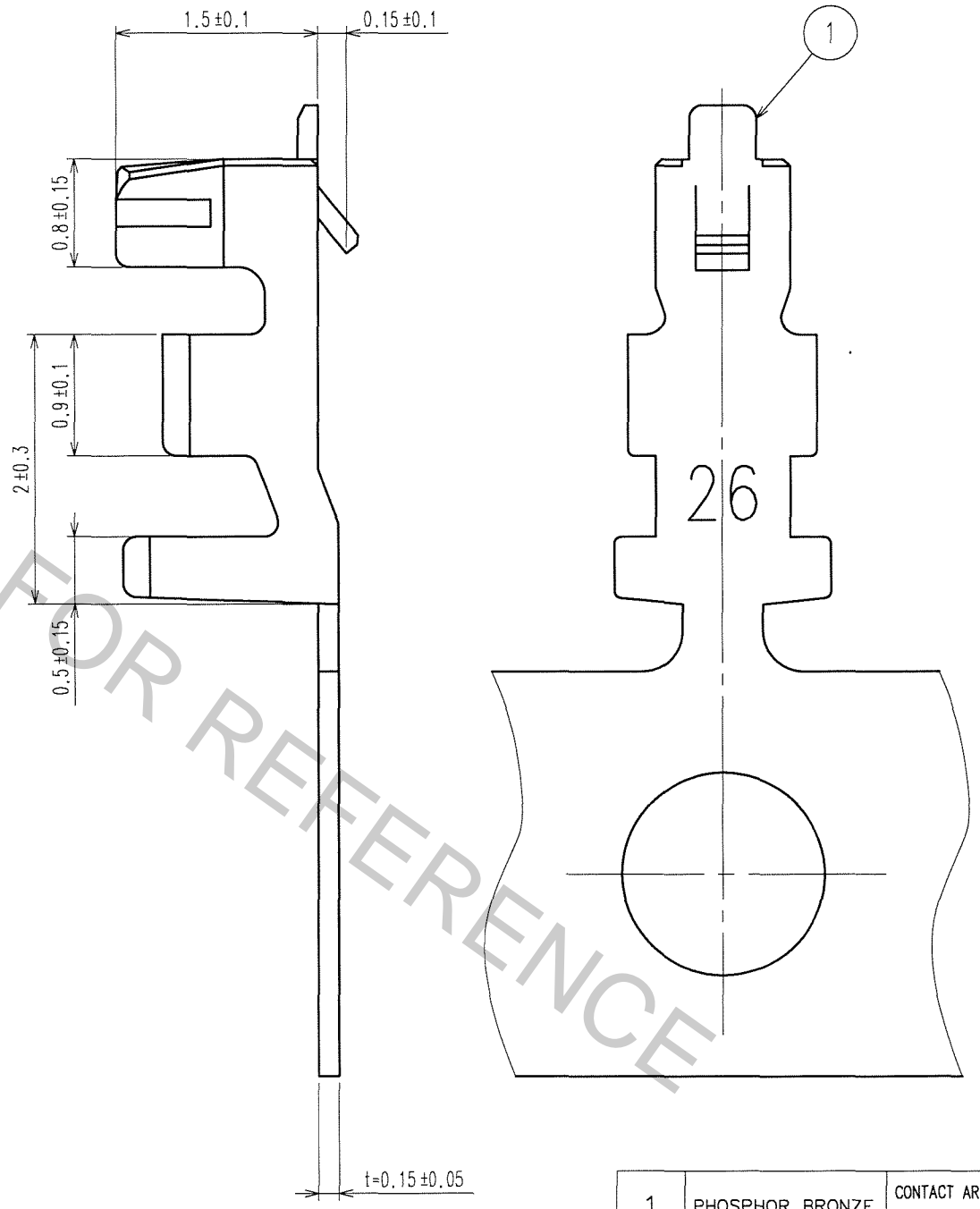
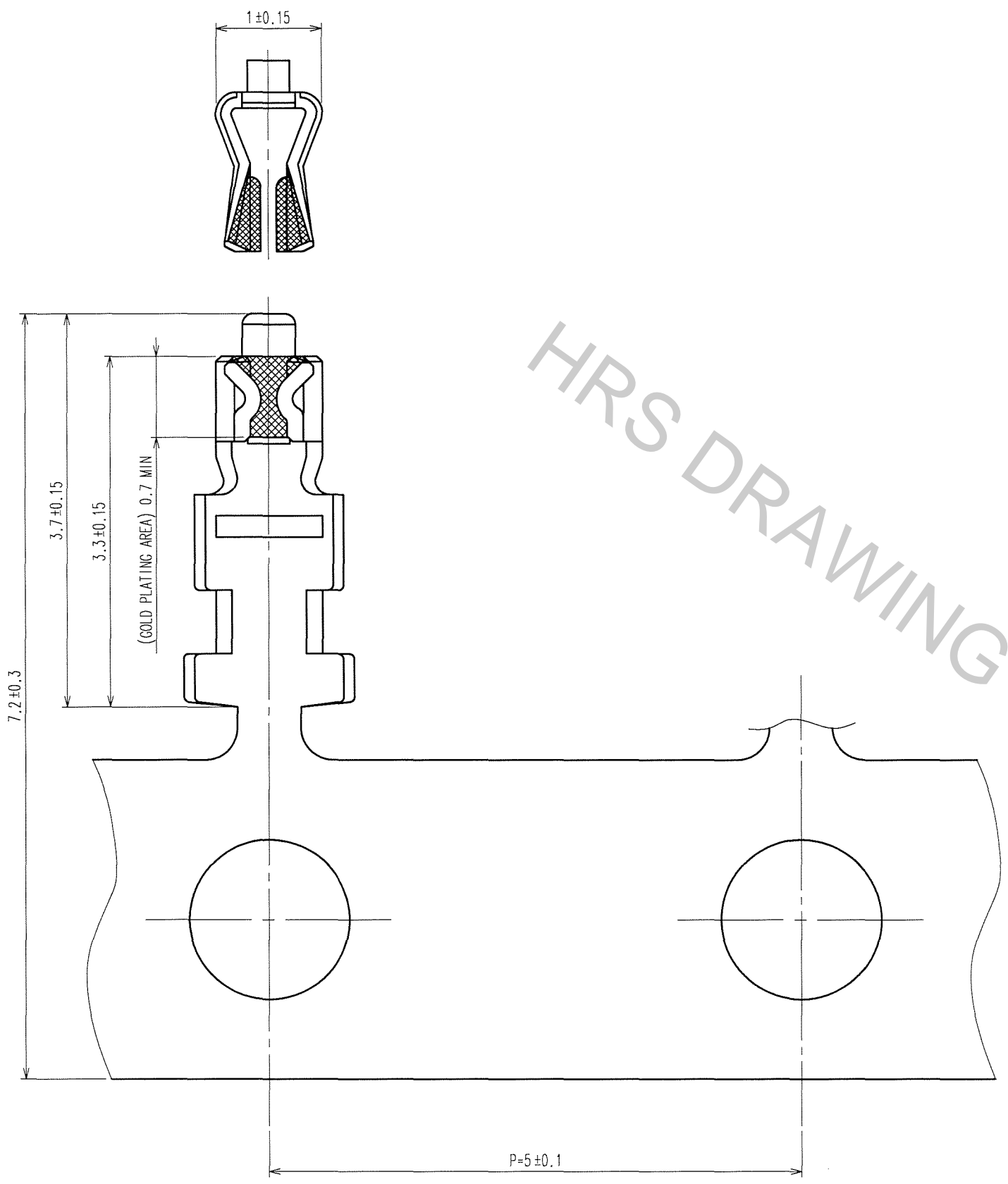


Apr.1.2017 Copyright 2017 HIROSE ELECTRIC CO., LTD. All Rights Reserved.

COUNT	DESCRIPTION OF REVISIONS	BY	CHKD	DATE	COUNT	DESCRIPTION OF REVISIONS	BY	CHKD	DATE
△				..	△				..
△				..	△				..
△				..	△				..



NOTES 1: APPLICABLE WIRE :26 - 30 AWG
 OUTER DIAMETER :φ 0.65-1.0 mm
 2: 1 REEL 20000 CONTACTS

1	PHOSPHOR BRONZE	CONTACT AREA:GOLD PLATING 0.2μ m min OTHERS:NICKEL PLATING 0.5μ m min
---	-----------------	--

NO.	MATERIAL	FINISH, REMARKS	NO.	MATERIAL	FINISH, REMARKS		
CODE NO.(OLD)			DRAWN	DESIGNED	CHECKED	APPROVED	RELEASED
			A.Miura	T.Kumagawa	H.Umehara	J.Oma	
			'06.09.08	'06.09.08	'06.09.08	'06.09.12	

SCALE	20 : 1	DRAWING NO.	EDC3-071220-01	PART NO.	DF13-2630SCFA(41)
UNITS	mm	HRS	HIROSE ELECTRIC CO., LTD	CODE NO.	CL536-0298-5-41

TO

1/1