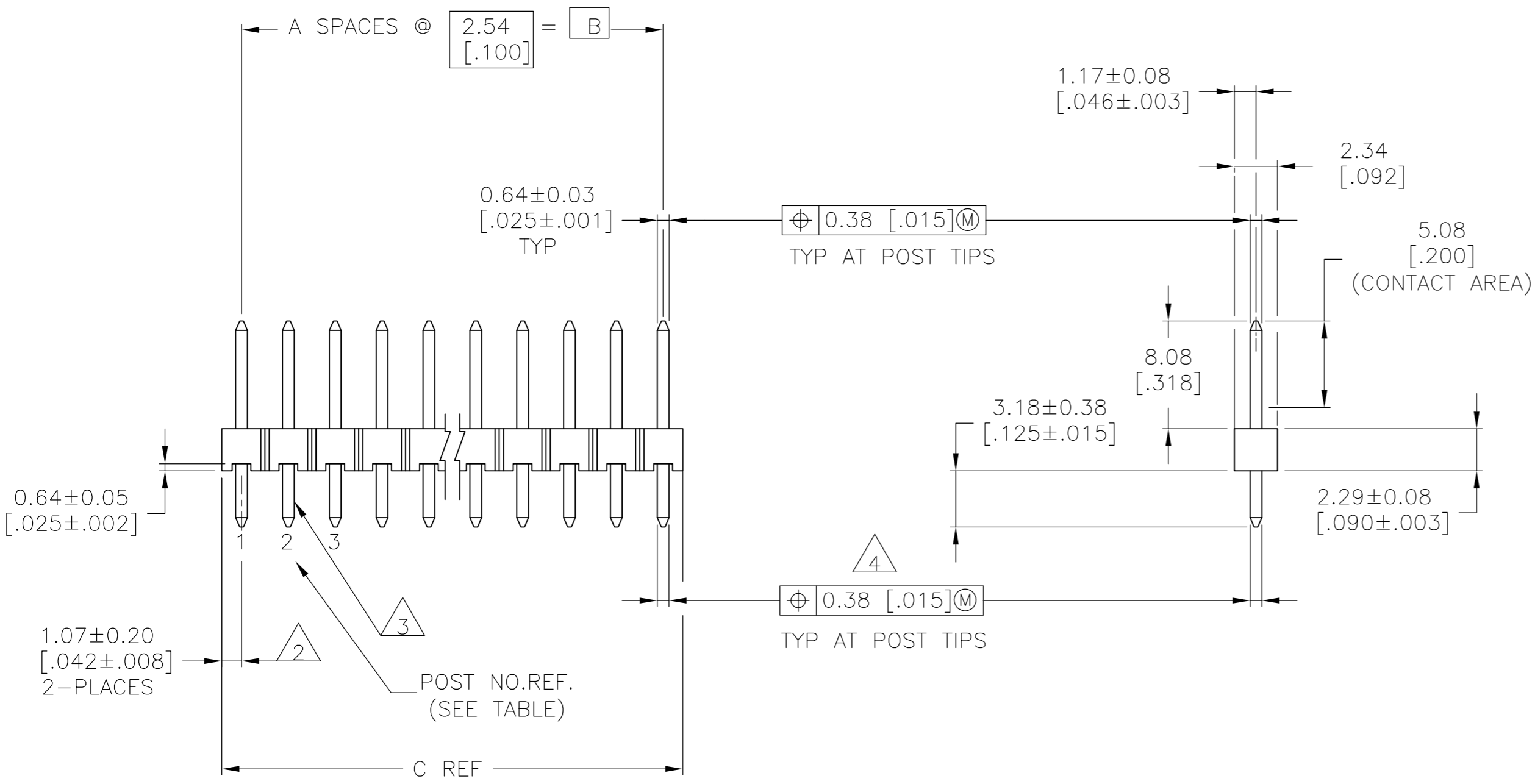
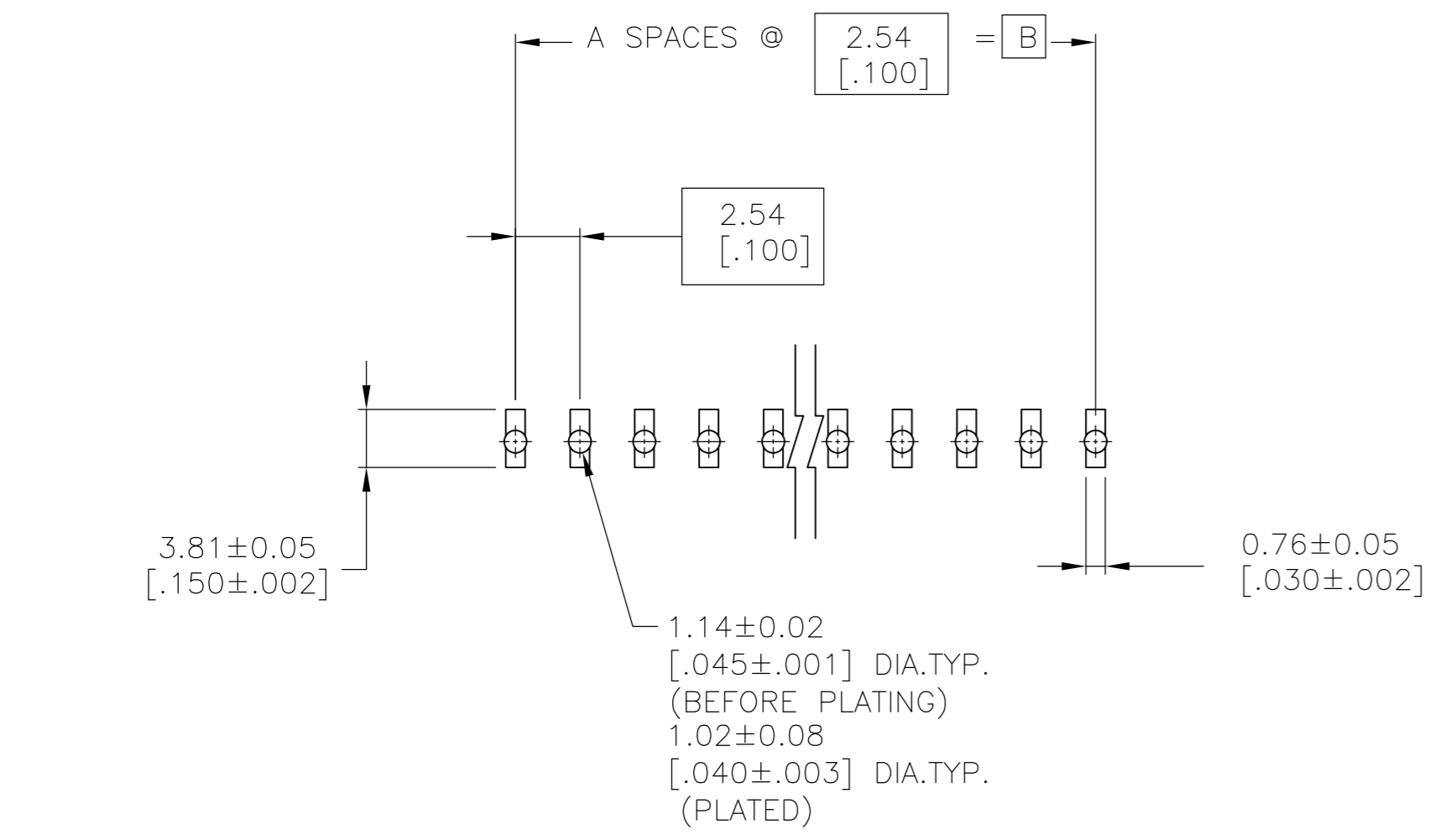


THIS DRAWING IS UNPUBLISHED. RELEASED FOR PUBLICATION
 © COPYRIGHT - By - ALL RIGHTS RESERVED.

| LOC | | DIST | | REVISIONS | | | |
|-----|-----|-------------|--|---------------------------|-----------|------|----|
| P | LTR | DESCRIPTION | | DATE | DWN | APVD | |
| AD | 00 | C | | REVISED PER ECO-14-006554 | 09MAY2014 | NK | MM |



- 1 TRUE POSITION TOLERANCE OF THE POST TIPS APPLIES WHEN THE HEADERS ARE HELD FLAT AGAINST THE PRINTED CIRCUIT BOARD.
- 2 THE NOTED DIMENSIONS APPLY AT THE INTERSECTION OF THE POST AND THE HOUSING.
- 3 RETENTION FEATURES ON SOLDER TAILS, LOCATED AT MANUFACTURERS OPTION.
- 4 $\text{M} \text{ } \phi 0.50 \text{ } [.020] \text{ } \text{M}$ FOR KINKED TAILS.
- 5 0.000076[.0000030] MIN GOLD OVER 0.00068[.000027] Pd/Ni IN CONTACT AREA, 0.00254-0.00504 [.000100-.000200] MATTE TIN ON SOLDER TAIL, ALL OVER 0.00127 [.000050] NICKEL.
- 6 HOUSING: LCP, COLOR-BLACK. POSTS: PHOSPHOR BRONZE.



RECOMMENDED PC BOARD MOUNTING DIMENSIONS FOR 1.60 [.063] THICK PC BOARD AND 0.305 [.0120] STENCIL THICK.

| | | | | | |
|---------|----------------|---------------|----|------------------|-------------|
| 5 | 101.19 [3.984] | 99.06 [3.900] | 39 | 40 | 4-1977954-0 |
| 5 | 2.13 [.084] | - | 0 | 1 | 1977954-1 |
| PLATING | C | B | A | NO. OF POSITIONS | PART NUMBER |

| DIMENSIONS: | | TOLERANCES UNLESS OTHERWISE SPECIFIED: | | DWN | | CHK | | APVD | | NAME | | | |
|--|----------|--|-------|-------|-------|-------|--------|-----------|--------|------------------|-----------|------------------------------|---------------|
| mm | [INCHES] | 0 PLC | 1 PLC | 2 PLC | 3 PLC | 4 PLC | ANGLES | FINISH | WEIGHT | SIZE | CAGE CODE | DRAWING NO | RESTRICTED TO |
| | | ± - | ± - | ± - | ± - | ± - | ± - | SEE TABLE | - | A2 | 00779 | C=1977954 | - |
| THIS DRAWING IS A CONTROLLED DOCUMENT. | | | | | | | | | | TE Connectivity | | | |
| MATERIAL | | | | | | | | | | CUSTOMER DRAWING | | SCALE 4:1 SHEET 1 of 1 REV C | |