

Customer Information Sheet

DRAWING No.: M80-704XXX

SHEET 2 OF 2

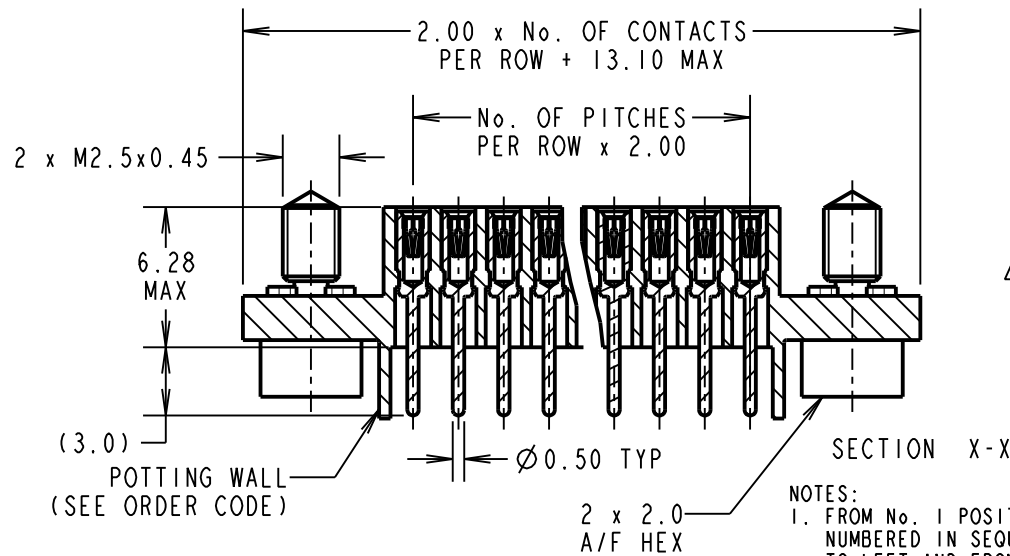
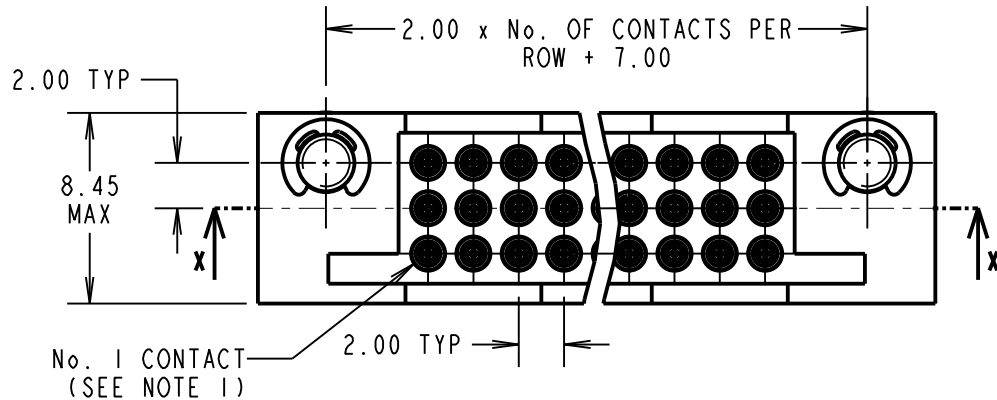
IF IN DOUBT - ASK

©

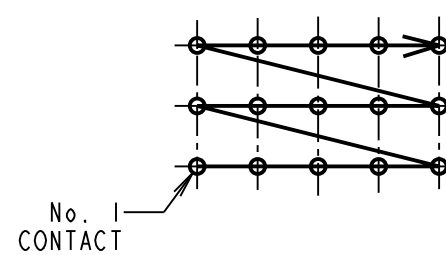
NOT TO SCALE

THIRD ANGLE PROJECTION

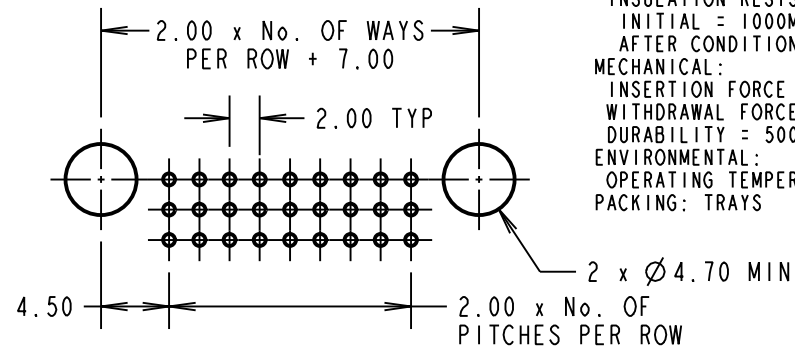
ALL DIMENSIONS IN mm



- NOTES:
1. FROM No. 1 POSITION, CONTACTS NUMBERED IN SEQUENCE FROM RIGHT TO LEFT AND FROM BOTTOM ROW TO TOP ROW (SEE ABOVE).
 2. FOR COMPLETE SPECIFICATION, SEE COMPONENT SPECIFICATION C017XX (LATEST ISSUE).



RECOMMENDED PCB LAYOUT



SPECIFICATION:

MATERIAL:

MOULDING = POLYAMIDE 46 UL94V-0, BLACK
 CONTACT CLIP = BERYLLIUM COPPER
 CONTACT BODY = COPPER ALLOY
 JACKSCREWS & CIRCLIP = STAINLESS STEEL
 FINISH (ALL OVER NICKEL):
 01 = 4µ TIN/LEAD BODY, 0.30µ GOLD CLIP
 05 = 0.28µ GOLD BODY, 0.30µ GOLD CLIP
 42 = 4µ 100% TIN BODY, 0.30µ GOLD CLIP

ELECTRICAL:

CURRENT RATING AT 25°C = 3.0A MAX
 CURRENT RATING AT 85°C = 2.2A MAX
 VOLTAGE PROOF = 360V AC/DC

CONTACT RESISTANCE:

INITIAL = 20mΩ MAX
 AFTER CONDITIONING = 25mΩ MAX

INSULATION RESISTANCE:

INITIAL = 1000MΩ MIN
 AFTER CONDITIONING = 100MΩ MIN

MECHANICAL:

INSERTION FORCE = 2.8N MAX, 1.0N MIN
 WITHDRAWAL FORCE = 1.8N MAX, 0.2N MIN
 DURABILITY = 500 OPERATIONS

ENVIRONMENTAL:

OPERATING TEMPERATURE = -55°C TO +125°C
 PACKING: TRAYS

ORDER CODE: **M80-704XXX**

TOTAL No. OF CONTACTS:
 27, 36, 45, 51, 63

FINISH:
 01 = TIN/LEAD SHELL, GOLD CLIP
 05 = GOLD SHELL, GOLD CLIP
 42 = 100% TIN SHELL, GOLD CLIP

POTTING WALLS:
 BLANK = POTTING WALLS REMOVED
 A = POTTING WALLS RETAINED

SM	9	15.07.11	11343
NAME	ISS.	DATE	C/NOTE
APPROVED: S. MCCULLAGH			
CHECKED: M. G. PLESTED			
DRAWN:		M.A.TODD	
CUSTOMER REF.:			
ASSEMBLY DRG:			

HARWIN

HARWIN USA
 TEL: 603 893 5376
 FAX: 603 893 5396
 mis@harwin.com

HARWIN Europe (UK)
 TEL: 023 9231 4545
 FAX: 023 9231 4590
 mis@harwin.co.uk

HARWIN Asia
 TEL: +65 6 779 4909
 FAX: +65 6 779 3868
 mis@harwin.com.sg

THIS DRAWING AND ANY INFORMATION OR DESCRIPTIVE MATTER SET OUT HEREON ARE CONFIDENTIAL AND COPYRIGHT PROPERTY OF THE HARWIN GROUP AND MUST NOT BE DISCLOSED, LOANED, COPIED OR USED FOR MANUFACTURING, TENDERING OR FOR ANY OTHER PURPOSE WITHOUT THEIR WRITTEN PERMISSION.

TOLERANCES
 X. = ±1mm
 X.X = ±0.25mm
 X.XX = ±0.10mm
 X.XXX = ±0.01mm
 ANGLES = ±5°
 UNLESS STATED

MATERIAL:
 SEE ABOVE

FINISH:
 SEE ABOVE

S/AREA:
 mm²

TITLE:
 3-ROW DATAMATE
 FEMALE PC TAIL SOCKET
 ASSEMBLY + JACKSCREWS

DRAWING NUMBER:
M80-704XXX

SHT
 2
 OF
 2