

120mm sq.

San Ace 120W



General Specifications

- Material Frame: Plastics (Flammability: UL94V-0),
Impeller: Plastics (Flammability: UL94V-1)
- Expected Life Refer to specifications (Indoor, L10:Survival rate: 90% at 60°C,
rated voltage, and continuously run in a free air state)
- Lead Wire ⊕red ⊖black (Sensor) yellow
- Storage Temperature -30°C to +70°C (Non-condensing)

120×120×38mm (Mass : 360g) **IP 68** **9WP type**

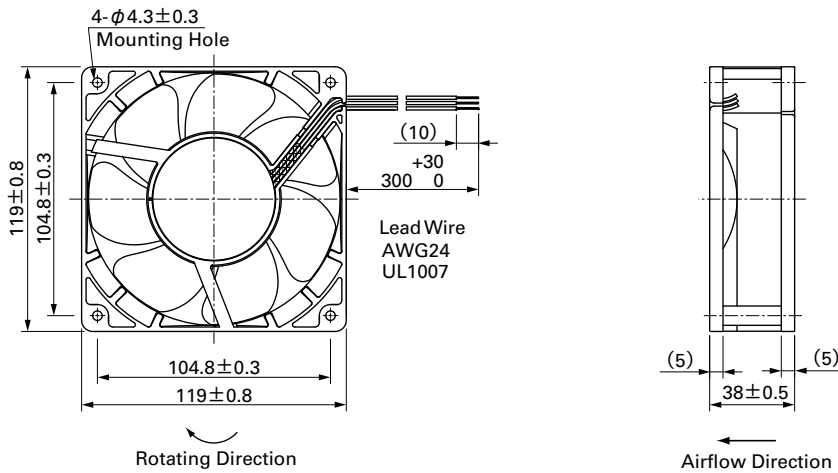
Specifications

The following nos. **have pulse sensors and ribs**. For ribless, append "1" to the model no.

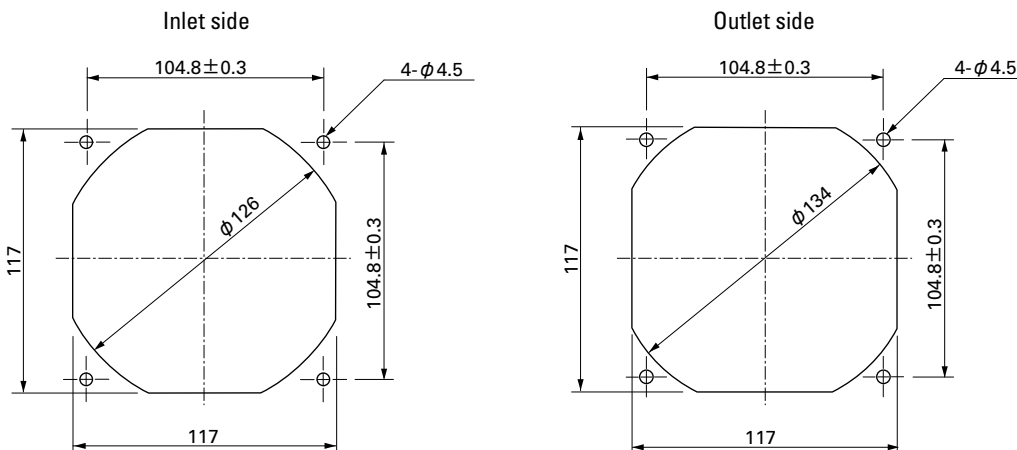
| Model No. | Rated Voltage [V] | Operating Voltage Range [V] | Rated Current [A] | Rated Input [W] | Rated Speed [min ⁻¹] | Max. Airflow [m ³ /min] [CFM] | Max. Static Pressure [Pa] [inchH ₂ O] | SPL [dB(A)] | Operating Temperature [°C] | Expected Life [h] |
|--------------------|-------------------|-----------------------------|-------------------|-----------------|----------------------------------|--|--|-------------|----------------------------|-------------------|
| 9WP1212H101 | 12 | 7.0 to 13.8 | 0.38 | 4.56 | 2,600 | 2.80 | 99 | 70.4 | 0.283 | 39 |
| 9WP1212L101 | | 10.2 to 13.8 | 0.14 | 1.68 | 1,500 | 1.62 | 57.2 | 23.4 | 0.094 | 26 |
| 9WP1224H101 | 24 | 14.0 to 27.6 | 0.22 | 5.28 | 2,600 | 2.80 | 99 | 70.4 | 0.283 | 39 |
| 9WP1248H101 | 48 | 40.8 to 55.2 | 0.11 | 5.28 | 2,600 | 2.80 | 99 | 70.4 | 0.283 | 39 |

Other sensor specifications are available as options. Please refer to the index (p. 512).

Dimensions (unit: mm) (With ribs)



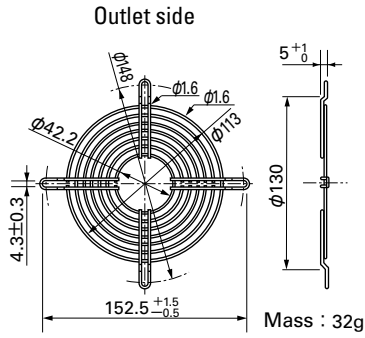
Reference Dimensions of Mounting Holes and Vent Opening (unit: mm)



Options (unit: mm)

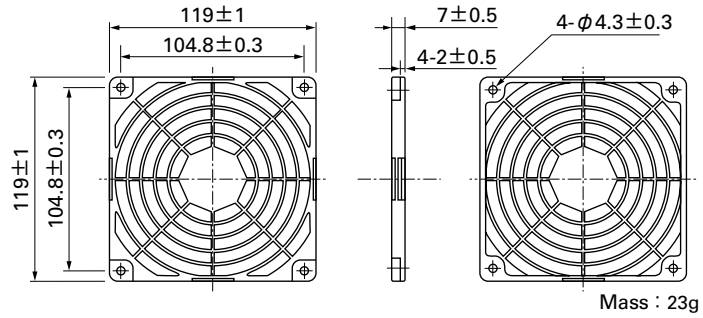
Finger Guards

Model : 109-019C Surface treatment : Nickel-chrome plating (silver) Color (silver)
 : 109-019H : Cation electropainting (black)



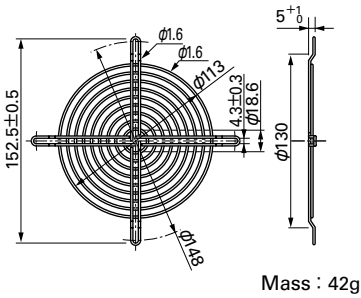
Resin Finger Guards

Model : 109-1000G



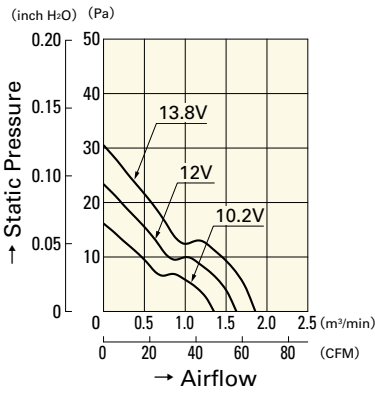
Model : 109-019E Surface treatment : Nickel-chrome plating (silver) Color (silver)
 : 109-019K : Cation electropainting (black)

Inlet side, Outlet side



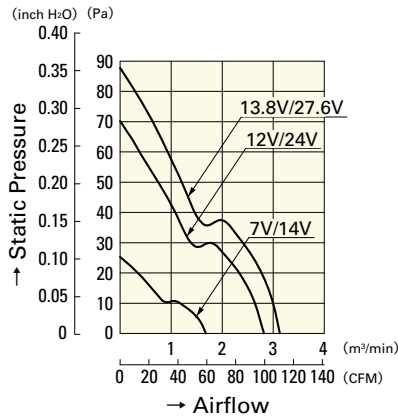
Airflow - Static Pressure Characteristics

L speed



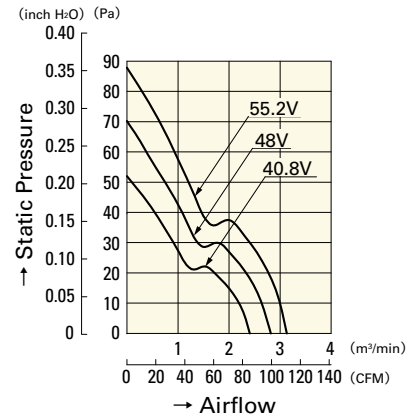
9WP1212L101

H speed



9WP1212H101
9WP1224H101

H speed



9WP1248H101