

PRODUCT NUMBER
98464-X61-XX-XXXLF

PLATING

S = 0.38µm GOLD/GXT ON CONTACT AREA
 2µm MIN MATTE TIN ON TAIL

G = 0.76µm GOLD/GXT ON CONTACT AREA
 2µm MIN MATTE TIN ON TAIL

F = GOLD FLASH ON CONTACT AREA
 2µm MIN MATTE TIN ON TAIL

T = 2.0-5.0µm TIN FULL PLATED
 1.27µm Ni MIN UNDERPLATING

- RoHS COMPATIBLE, SEE NOTE 8
- POLARIZATION (SEE NOTE 7)
- PACKAGING OPTIONAL LETTER (SEE NOTE 5)
- TOTAL NB OF POSITIONS, 04 TO 50
- COLOR OPTION, NOTE 1

NOTES:

1. MATERIAL HOUSING: HIGH TEMP. THERMOPLASTIC UL 94V-0
 - = STANDARD COLOR CREAM
 B = OPTIONAL COLOR BLACK

2. MATERIAL TERMINAL: COPPER ALLOY

3. TO DETERMINE DIMENSIONS:
 N = NUMBER OF POSITIONS PER ROW

4. 7N MIN. PIN RETENTION IN EITHER DIRECTION.

5. PACKAGING:

- = STANDARD PACKAGING IN POLYBAGS
- = POLYBAGS WHEN POLARISATION FEATURE APPLICABLE
- U = TUBE AVAILABLE FROM 06 TO 50 POS

6. DIM "C" = (N x 2) + 1.4
 EXAMPLE: N = 7
 DIM "C" = (7 x 2) + 1.4 = 15.4 mm

7. FOR POLARIZATION, SPECIFIED PIN
 EXAMPLE: A03= ROW A, POSITION 03 TO OMIT PIN
 OMIT FROM PRODUCT NUMBER IF THIS FEATURE IS NOT APPLICABLE

8. RoHS COMPATIBLE PRODUCT SPECIFICATIONS

a - PLATING:

- "LF" MEANS THE PRODUCT IS LEAD-FREE,
 2µm MINIMUM MATTE TIN OVER 1.27µm
 MINIMUM NICKEL UNDERPLATE.

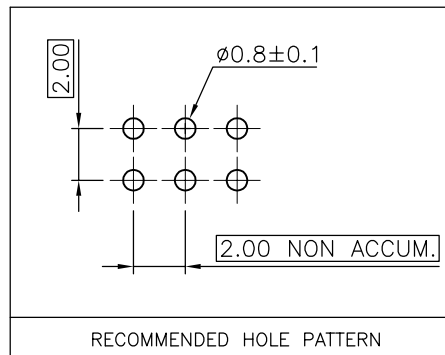
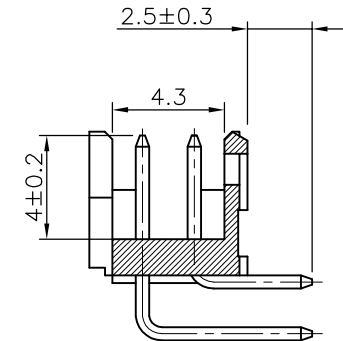
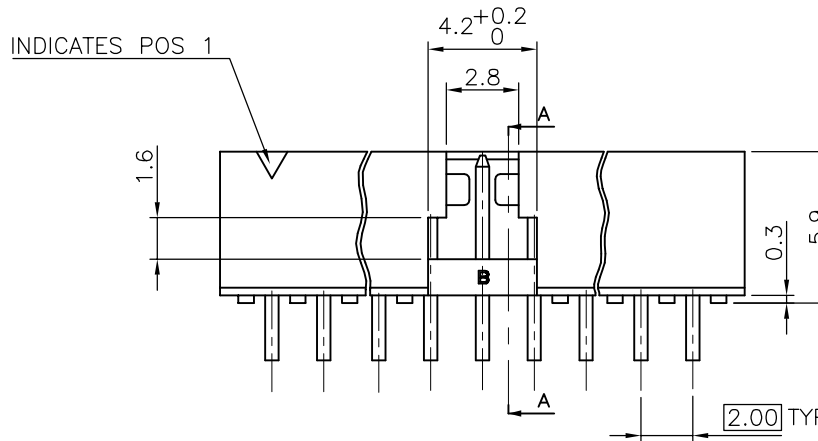
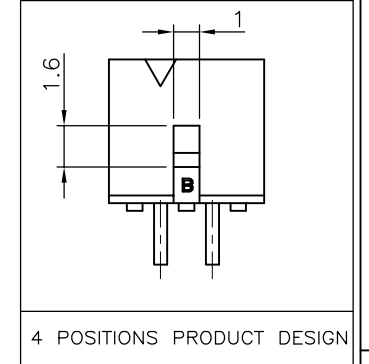
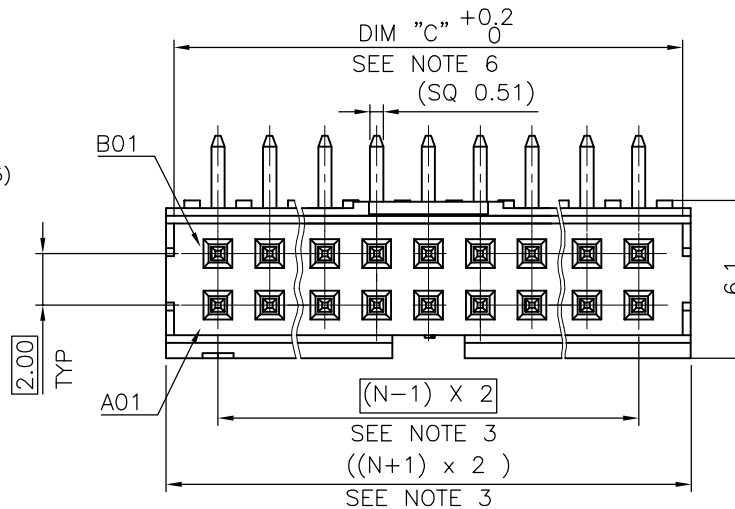
b - MANUFACTURING PROCESS COMPATIBILITY

- THE HOUSING WILL WITHSTAND EXPOSURE TO
 260°C ±5°C SOLDER BATH TEMPERATURE FOR
 5 SECONDS IN A WAVE SOLDER APPLICATION
 WITH A 1.6mm MIN THICK CIRCUIT BOARD.

c - LABELLING:

- MEETS PACKAGING SPECS AS PER GS-14-920

- d - THIS PRODUCT MEETS EUROPEAN DIRECTIVES
 AND OTHER COUNTRY REGULATIONS AS DISCRIBED
 IN GS-47-0004



mat'l. code		surface	tolerance	projection	product family
SEE NOTES		ISO 1302	ISO 406 ISO 1101		MINITEK
ltr	ecn no	dr	date	title	
L	B-15815	JCO	13.09.11	SHR HEADER	
M	B-19190	LMU	14.10.24	2.00 RIGHT ANGLE TMT	
N	B-19797	AMA	14.12.16	scale 1:1	
P	B-19988	LMU	15.01.13	dwg no	
R	B-20254	LMU	15.02.16	sheet 1 of 1 size	
K	F12-0088	JCO	12.07.23	98464 A3	
sheet	revision			type	
index	sheet			CUSTOMER Drawing	