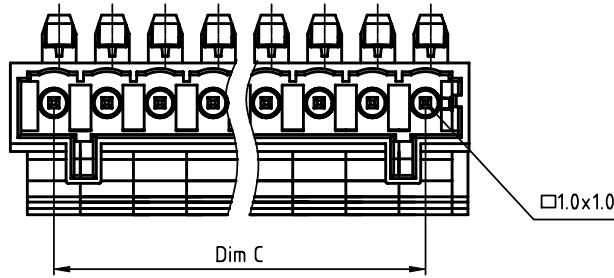


PRODUCT NUMBER	PITCH
NBxx70x500J0G	5.00 mm

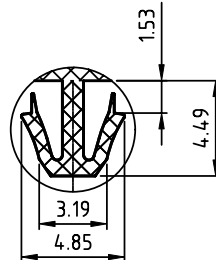
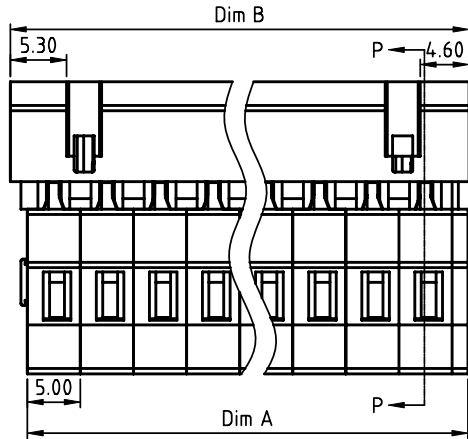
N=Number of poles
 Dim A=Nx5.0+1.5
 Dim B=Nx5.0+3.2
 Dim C=(N-1)x5.0
 Dim D=(N-1)x5.0
 Dim E=(N-1)x5.0

PART NO.: NB xx 7 0 x 5 00J0 G

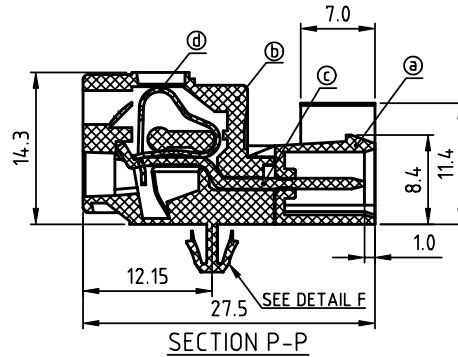
Solid block	0	Black (RAL9005)	RoHS compliant (lead<4%) In copper Alloy
No. of poles	2	Red (RAL3001/D)	
02	2 poles	3 Orange(RAL2011/P)	
03	3 poles	4 Yellow(RAL1018/A)	
...	...	5 Green(RAL6018/T)	
24	24 poles	6 Blue (RAL5015/A)	
		8 Grey(RAL7035/D)	
		9 White(RAL1102)	
		C Green(RAL6018/U)	



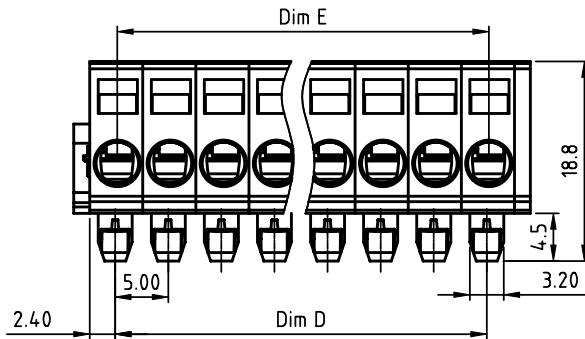
POLES	Tolerance
2p-6p	±0.20
7p-12p	±0.25
13p-18p	±0.30
19p-24p	±0.40



DETAIL F
SCALE 2/1



SECTION P-P



Material:

- Item@Top body: Thermoplastic (UL94 V-0)
- Item@Bottom body: Thermoplastic (UL94 V-0)
- Item@Male contact pin: Brass Tin plated
- Item@Spring clamp: Stainless steel

Electrical cULus

- Voltage rating: 300V
- Current rating: 8A
- Wire range:
 - Solid wire(AWG): 12-28
 - Stranded wire(AWG): 12-28
 - Wire strip length: 8-9mm
- Withstanding Voltage: 1.6KV
- Operating temperature: -40°C to +115°C
- Safety Approval:

mat'l. code		surface ASME Y14.5	tolerance ASME Y14.5	projection 	product family TERMINAL BLOCK
ltr	ecn no	dr	date	MM	title TERMINAL BLOCK SNAP-IN MOUNTING FEET, 100% PROTECTED AGAINST MISMATING
tolerances unless otherwise specified					
angles		X.±0.5		scale	dwg no NBxx70x500J0G
X*±1"		X.XX±0.1			
dr	ENGR	ENGR	APPD		sheet 1 of 1 size A4
	EVIN ZHONG	EVIN ZHONG	SHI JUN		type CUSTOMER Drawing
	HANKE FENG	HANKE FENG			
sheet index	revision sheet	A	1		