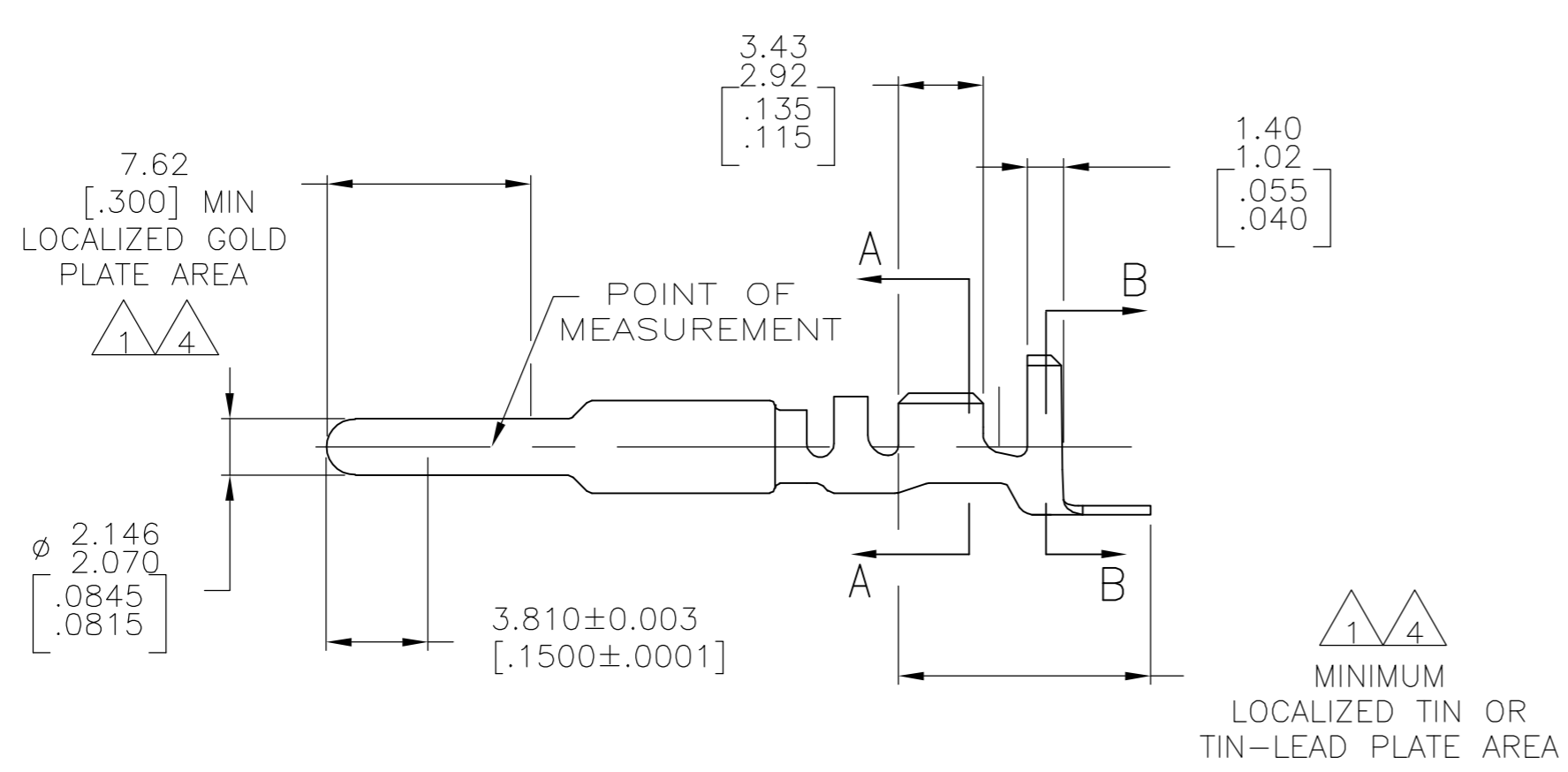
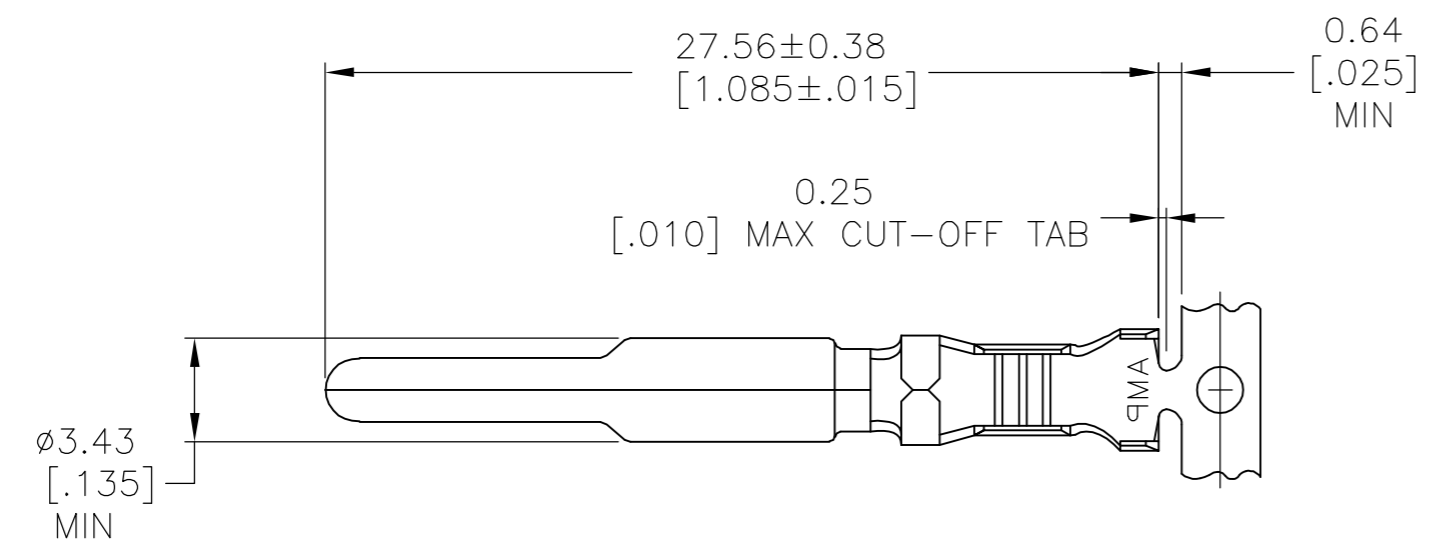
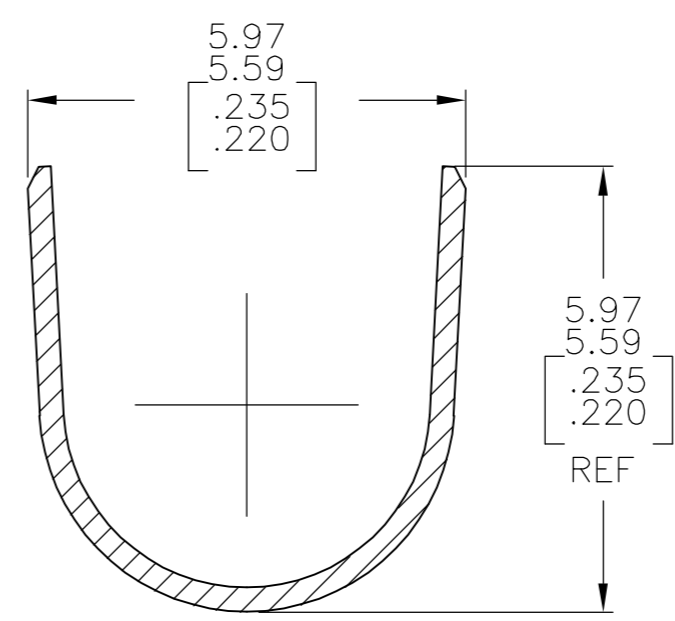


THIS DRAWING IS UNPUBLISHED. RELEASED FOR PUBLICATION
 © COPYRIGHT BY TYCO ELECTRONICS CORPORATION. ALL RIGHTS RESERVED.

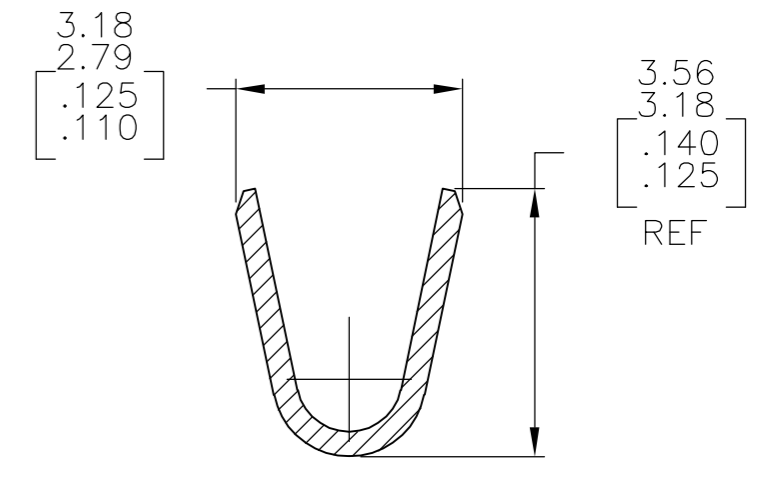
LOC		DIST		REVISIONS			
P	LTR	DESCRIPTION		DATE	DWN	APVD	
CM	0	J		EC 063B 0215 05	16SEP05	BSV	RCJ



- 1. 0.00076[.000030] MIN GOLD AT POINT OF MEASUREMENT IN THE LOCALIZED GOLD PLATE AREA, 0.00127[.000050] MIN TIN-LEAD IN THE TIN-LEAD PLATE AREA, 0.00127[.000050] MIN NICKEL UNDERPLATE ON ENTIRE CONTACT.
- 2. WIRE RANGE: 0.5-2mm² [20-14] AWG. INSULATION RANGE: 3.30-5.08[.130-.200] DIA.
- 3. DIMENSIONS IN BRACKETS ARE IN INCHES.
- 4. 0.00076[.000030] MIN GOLD AT POINT OF MEASUREMENT IN THE LOCALIZED GOLD PLATE AREA, 0.00127[.000050] MIN TIN IN TIN PLATE AREA, 0.00127[.000050] MIN NICKEL UNDERPLATE ON ENTIRE CONTACT.



SECTION B-B
SCALE 10:1



SECTION A-A
SCALE 10:1

GOLD Δ_4	0.30 [.012]	BRASS	1-770194-0
GOLD Δ_1	0.30 [.012]	BRASS	770194-2
PRE-TIN	0.30 [.012]	BRASS	770194-1
FINISH	MATERIAL		PART NO

THIS DRAWING IS A CONTROLLED DOCUMENT.		DWN K. SALMON 22DEC92	Tyco Electronics Corporation Harrisburg, PA 17105-3608	
DIMENSIONS: mm [INCHES]		CHK R. SWING 22DEC92	NAME PIN, GROUNDING, UNIVERSAL MATE-N-LOK(TM) II	
TOLERANCES UNLESS OTHERWISE SPECIFIED:		APVD M. TRULL 01APR93	SIZE A2	
0 PLC ± -		PRODUCT SPEC	CAGE CODE 00779	DRAWING NO C=770194
1 PLC ± -		APPLICATION SPEC	WEIGHT -	RESTRICTED TO -
2 PLC ± -		FINISH	SCALE 4:1	SHEET 1 of 1
3 PLC ± -		SEE TABLE	CUSTOMER DRAWING	REV J
4 PLC ± -		SEE TABLE		
ANGLES ± -				

METRIC