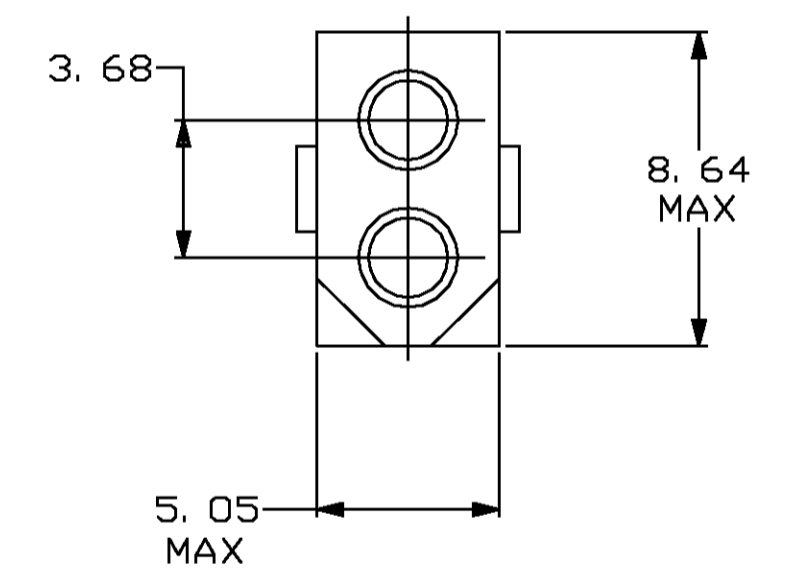
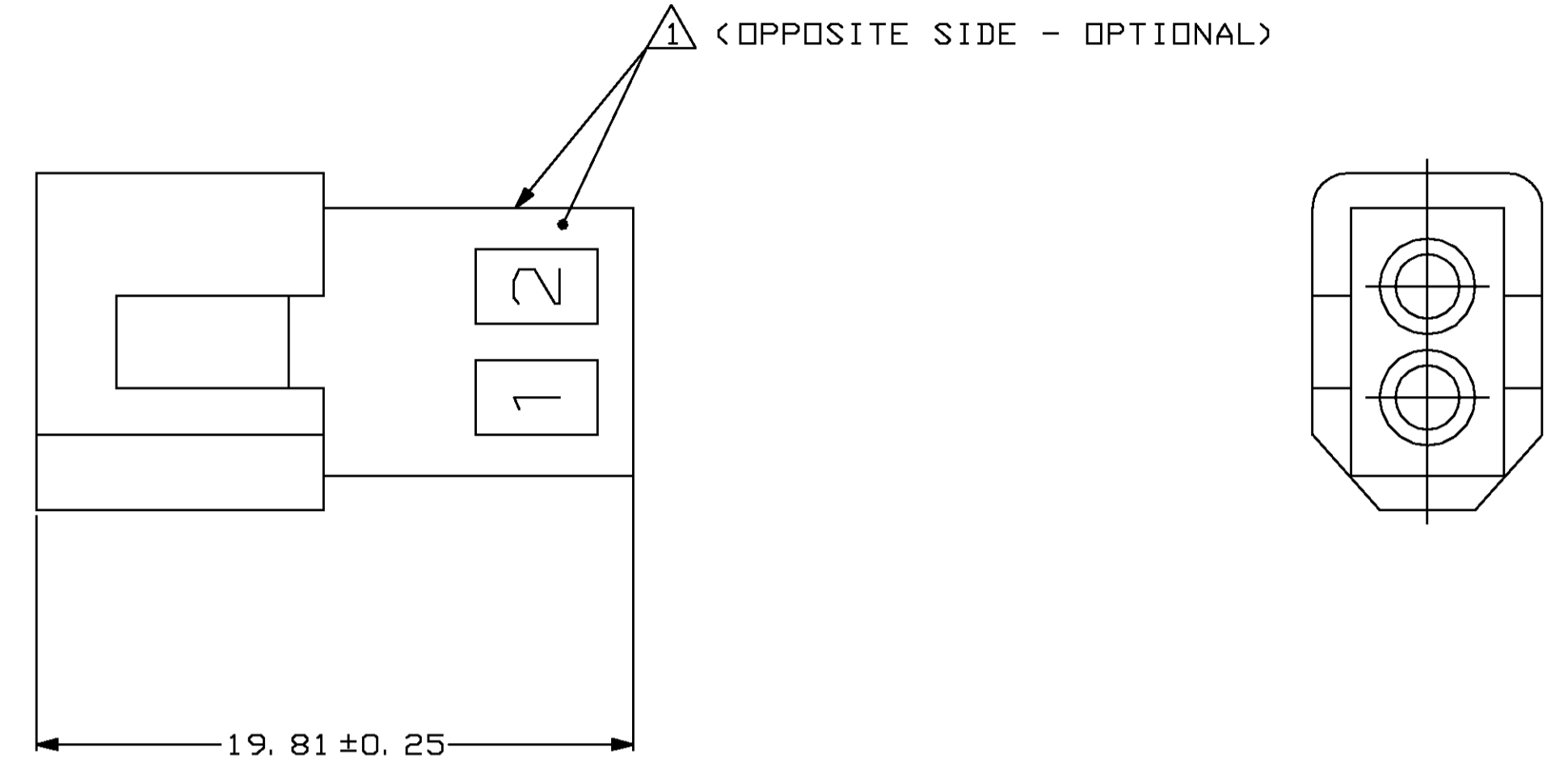
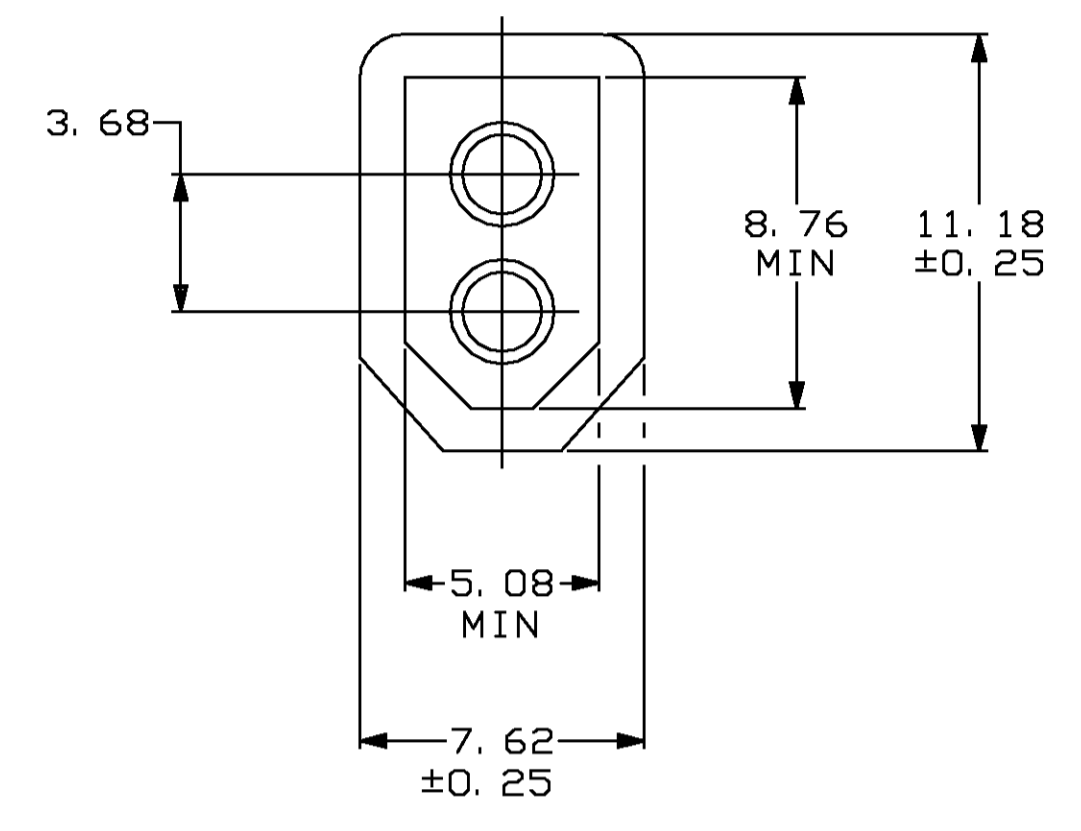
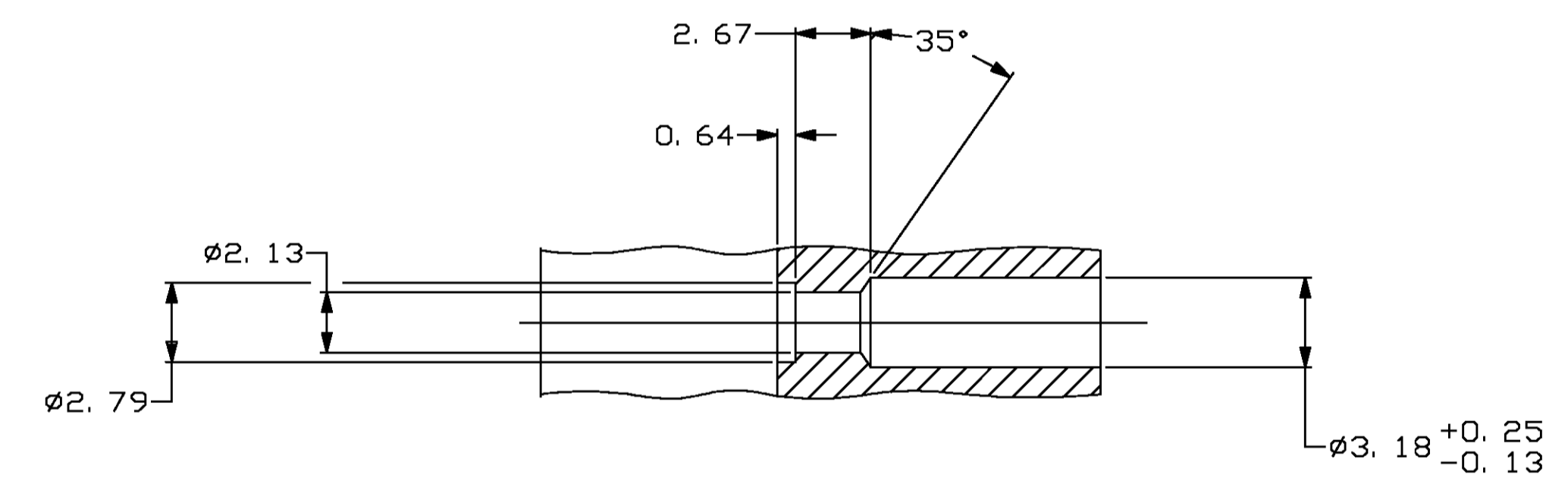


△ AMP LOGO AND CAVITY NUMBER LOCATED ON EITHER SURFACE.



MATING CONNECTOR INTERFACE



TYPICAL PLUG CAVITY SECTION  
 (DIMENSIONS REFERENCE ONLY)

2.67	.105	5.08	.200	19.81	.780
2.13	.084	5.05	.199	11.18	.440
0.64	.025	3.68	.145	8.76	.345
0.25	.010	3.18	.125	8.64	.340
0.13	.005	2.79	.110	7.62	.300
MM	IN	MM	IN	MM	IN

CONVERSION TABLE

METRIC

THIS DRAWING IS A CONTROLLED DOCUMENT.		DWG	L. McEACHIN, Sr.	30MAY00
		CHK	S. RIDGILL	30MAY00
		APVD	S. RIDGILL	30MAY00
DIMENSIONS: MM		NAME		
TOLERANCES UNLESS OTHERWISE SPECIFIED:		S. RIDGILL		
0 PLC ± -		PRODUCT SPEC		
1 PLC ± -		APPLICATION SPEC		
2 PLC ± -		WEIGHT		
3 PLC ± 0.13		SIZE		
4 PLC ± -		CAGE CODE		
ANGLES ± -		DRAWING NO		
FINISH		RESTRICTED TO		
MATERIAL: NYLON, UL 94V-2		A1 00779 C=770340		
CUSTOMER DRAWING		SCALE 5:1 SHEET 1 OF 1 REV G1		

BLACK	770340-3
NATURAL	770340-1
COLOR	PART NO



PLUG, 2 CIRCUIT,  
 .062 PIN AND SOCKET