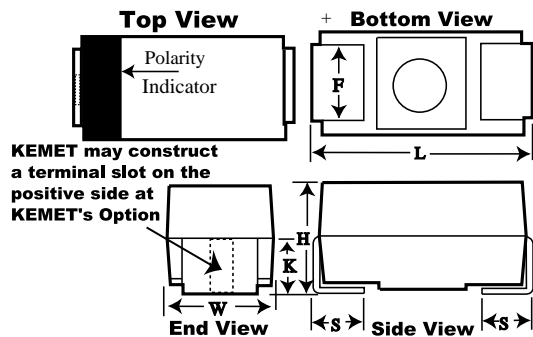


KEMET Part Number: T491D476K016ZG7280 **Obsolete**
(B45198H3476K406)

B45198H, Tantalum, MnO2 Tantalum, 47 uF, 10%, 16 V, SMD, Molded, 7343, Height Max = 3.1mm



Dimensions

| Footprint | 7343 |
|-----------|----------------|
| L | 7.3mm +/-0.3mm |
| W | 4.3mm +/-0.3mm |
| H | 2.8mm +/-0.3mm |
| S | 1.3mm +/-0.3mm |
| F | 2.4mm +/-0.1mm |
| K | 1.8mm TYP |

Packaging Specifications

| | |
|----------------------------|------------|
| Packaging: | T&R, 330mm |
| Packaging Quantity: | 2800 |

General Information

| | |
|-----------------------|---|
| Supplier: | KEMET |
| Series: | B45198H |
| Dielectric: | MnO2 Tantalum |
| Style: | SMD Chip |
| Description: | SMD, Molded |
| RoHS: | Yes |
| Termination: | Gold |
| Miscellaneous: | Closest Kemet Original Series Equivalent: T491D476K016AG7280 |
| Notes: | Old Part Number [Obsolete] Was B45198H3476K406 |

Specifications

| | |
|-------------------------------|--------------------------------|
| Capacitance: | 47 uF |
| Capacitance Tolerance: | 10% |
| Voltage DC: | 16 VDC (85C), 10.72 VDC (125C) |
| Temperature Range: | -55/+125C |
| Rated Temperature: | 85C |
| Dissipation Factor: | 6% |
| Failure Rate: | N/A |
| Leakage Current: | 7.5 uA |