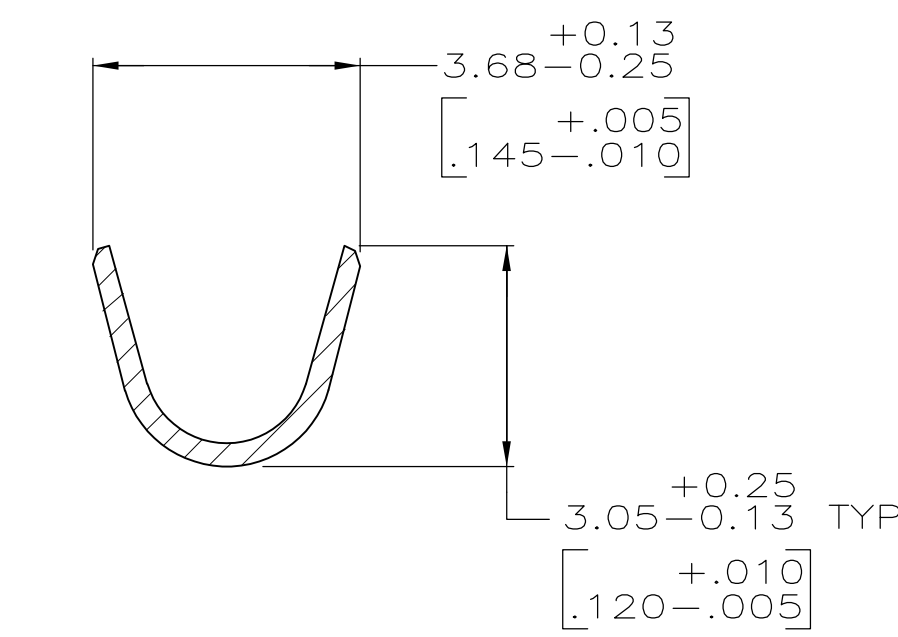
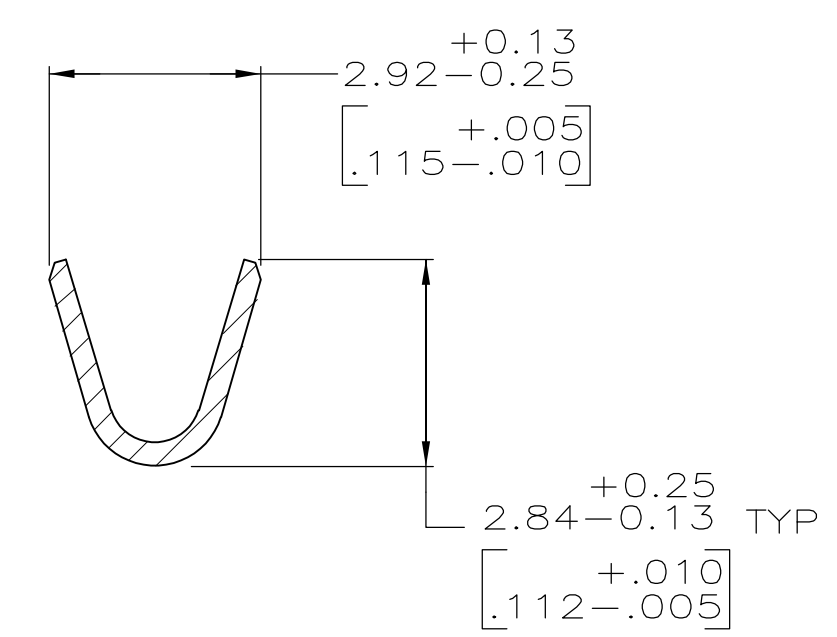
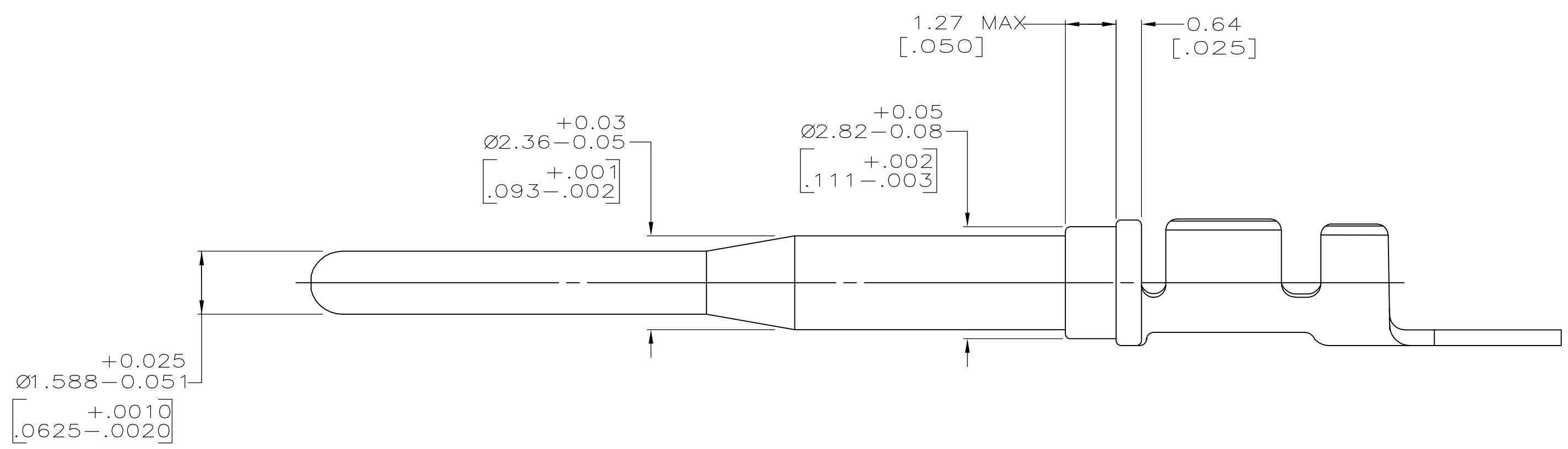
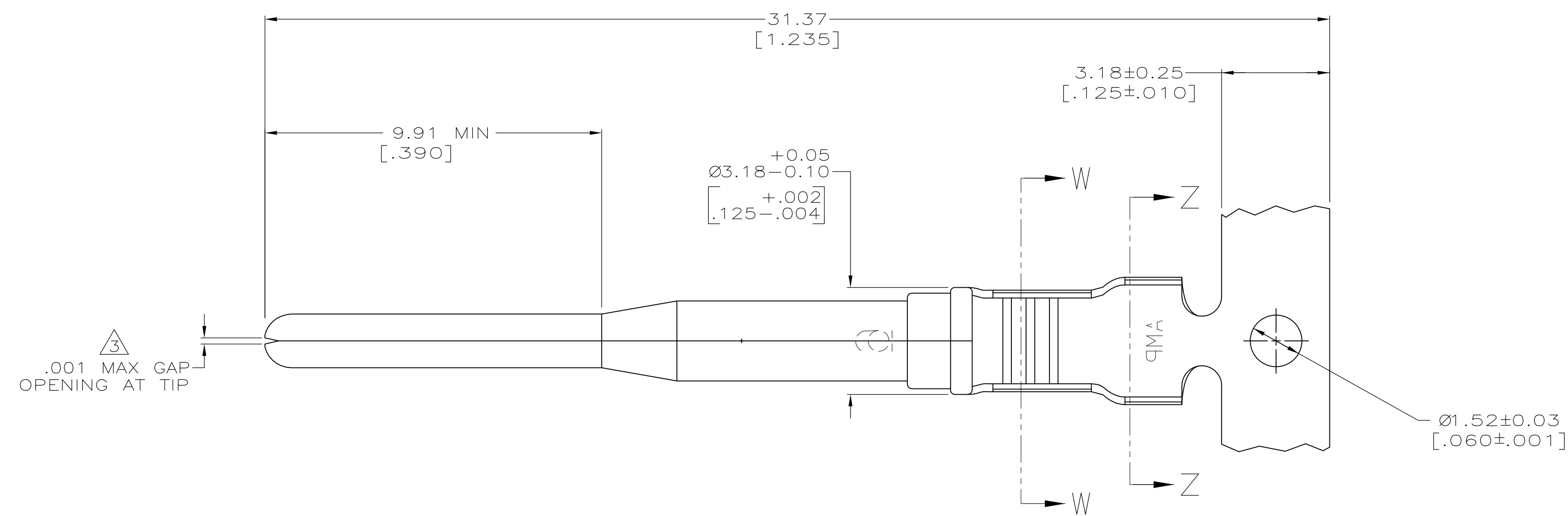


LOC		DIST		REVISIONS			
FT	0	P	LTR	DESCRIPTION	DATE	DWN	APVD
		B		REVISE PER ECN 0G3B-0621-00	06DEC00	SU	GS
		B1		REVISED PER ECO-09-023313	09OCT09	KK	AEG

- △ BRASS PER MIL-C-50D.
- △ PRE-PLATED TIN OVER NICKEL.
- △ DIMENSION APPLIES TO INTERNAL SURFACE OPENING ONLY.
- 4. 18-16 WIRE RANGE.
- 5. .080-.100 INSULATION RANGE.
- △ PRE-PLATED GOLD FLASH.
- △ OBSOLETE PARTS: OBSOLETE CIS STREAMLINING PER D.RENAUD/D.SINISI



△ OBSOLETE	△ 6	△ 6	796376-2
	△ 2	△ 1	796376-1
FINISH		MATERIAL	PART NUMBER

THIS DRAWING IS A CONTROLLED DOCUMENT.		DWN D.FARIAN 12 JAN 00	AMP Incorporated Harrisburg, PA 17105-3608	
DIMENSIONS: mm [INCHES]		CHK G.STEINHAEUER 16 MAR 00	NAME G.STEINHAEUER	
TOLERANCES UNLESS OTHERWISE SPECIFIED:		APVD G.STEINHAEUER 16 MAR 00	PRODUCT SPEC	
0 PLC ±	1 PLC ±	APPLICATION SPEC		
2 PLC ±	3 PLC ±	SIZE A1		
4 PLC ±	ANGLES ±	CAGE CODE 00779		
MATERIAL △ △	FINISH △ △	DRAWING NO C-796376		
CUSTOMER DRAWING		SCALE 10:1		
		SHEET 1 OF 1 REV B1		