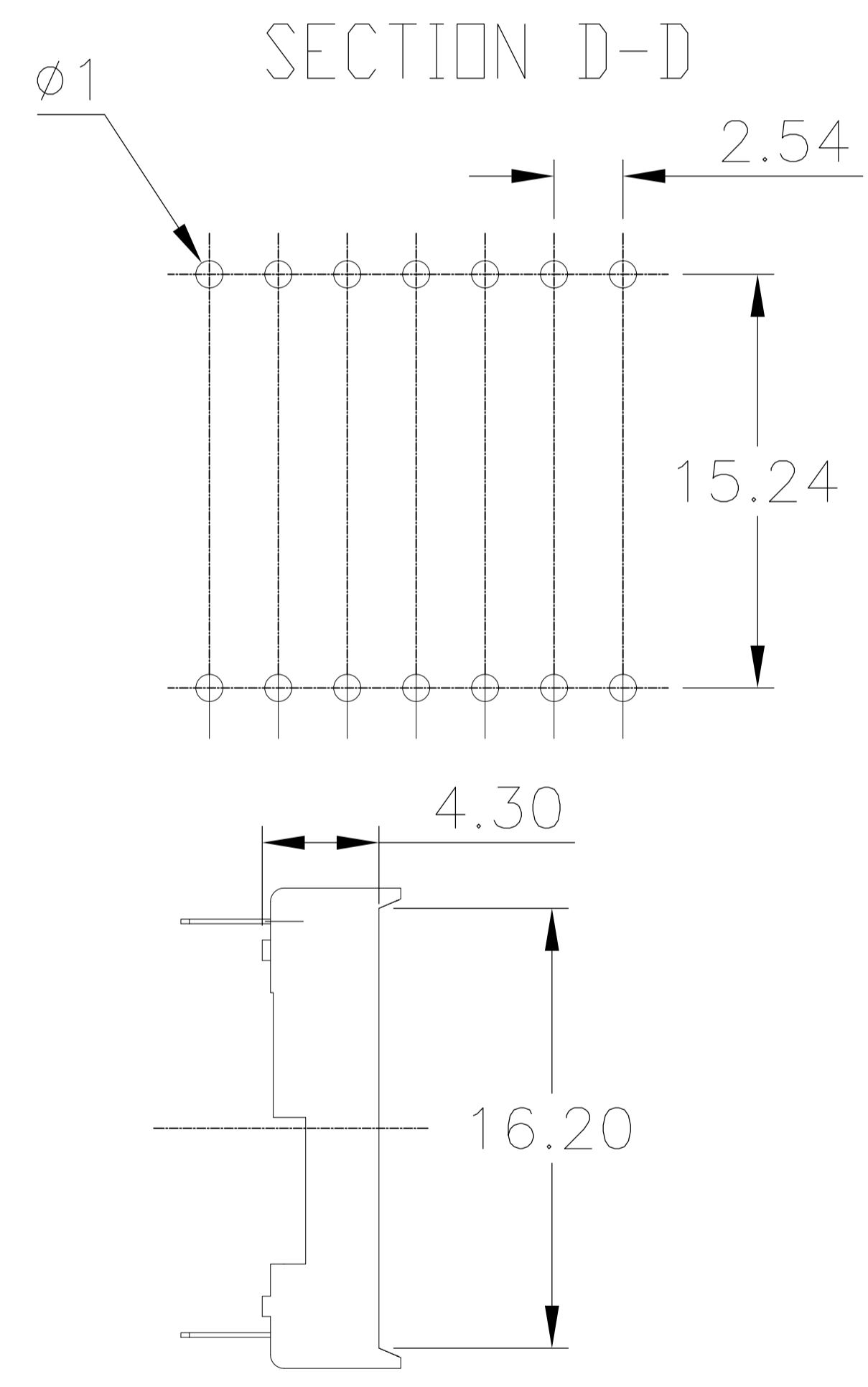
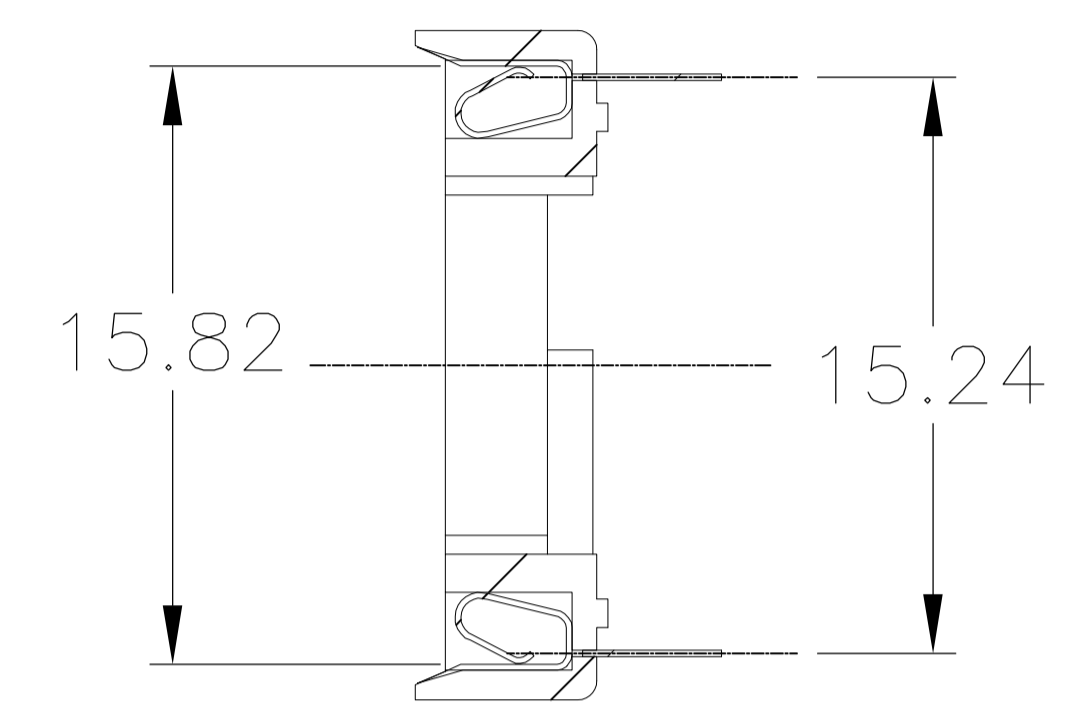
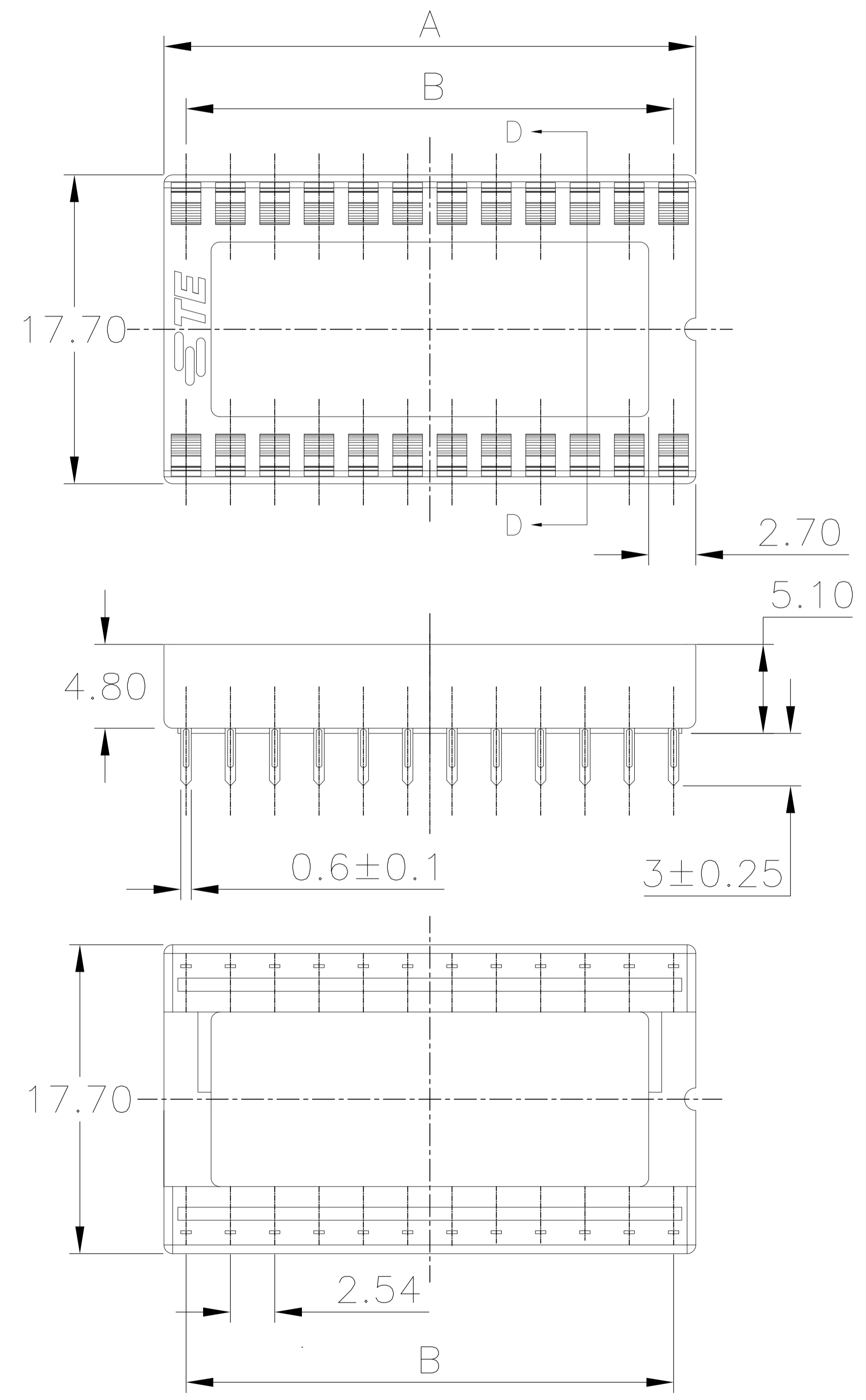


NOTE:

- 1 MATERIAL:
HOUSING: 30% GLASS FILLED PBT, THERMOPLASTIC, BLACK.
CONTACT: PHOS BRONZE
- 2 FINISH: CONTACT PLATING TIN (LEAD FREE); 60 UIN MIN. OVER 30 UIN NI
SOLDERABILITY :95% COVERAGE MIN.;
WORKING CONDITION:230°±5°C MAX
- 3. MECHANICAL SPECS:
DURABILITY: 50 CYCLES MIN.
INSERTION FORCE:300 GRAMS MAX.
WITHDRAWAL FORCE: 20 GRAMS MIN.
CONTACT RETENTION: 500 GRAMS MIN.
ACCEPTS: 0.20-0.30 [.008-.012] LEADS
- 4. ELECTRICAL SPECS:
VOLTAGE RATING: 250V AC,DC
CONTACT RESISTANCE: 20 MILLOHMS MAX.
CURRENT RATING: 1 AMPERE AC,DC
INSULATION RESISTANCE: 1000 MEGOHMS MIN.
DIELECTRIC WITHSTANDING VOLTAGE: AC 1000 V MIN.
- 5. OPERATING TEMPERATURE: -40°C TO +105°C
- 6 TE LOGO



32	38.10	40.64	1-2199300-2
FINISH	POS	B±0.15	A±0.20 PART NO.

THIS DRAWING IS A CONTROLLED DOCUMENT.		DIN 18NOV2013		WINNG WANG		TE Connectivity	
DIMENSIONS: mm		TOLERANCES UNLESS OTHERWISE SPECIFIED:		CHK 18NOV2013		NAME	
0 PLC ± -		1 PLC ± -		APVD 18NOV2013		CORREL WANG	
2 PLC ± 0.2[.008]		3 PLC ± -		PRODUCT SPEC		DIP SOCKET, 15.24 CENTERLINE OTC STYLE	
4 PLC ± -		ANGLES ± -		APPLICATION SPEC		SIZE	
MATERIAL 1		FINISH 2, 7		WEIGHT		RESTRICTED TO	
CUSTOMER DRAWING		SCALE 5:1		SHEET 1 OF 1		REV A	