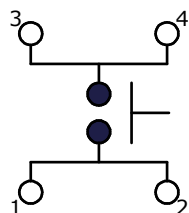
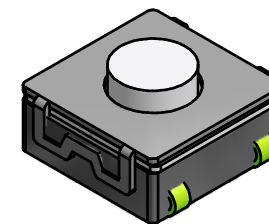
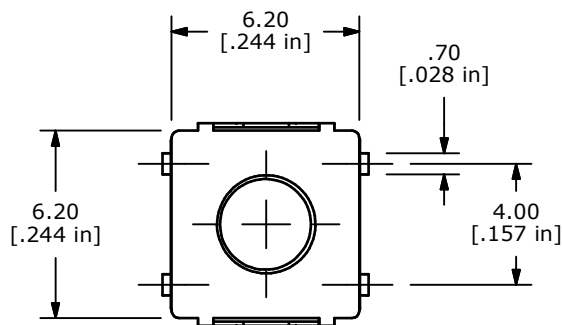
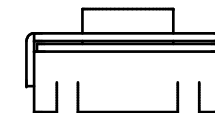
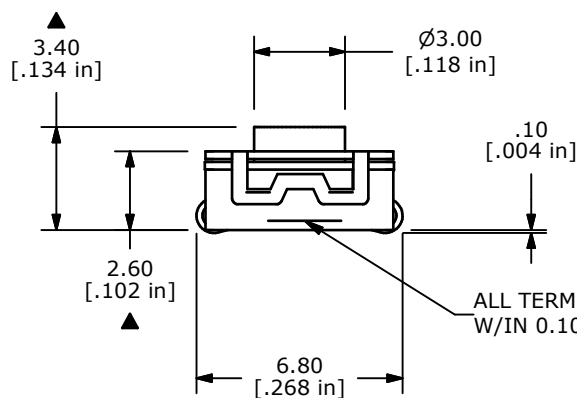


RECOMMENDED P.C.B. LAYOUT



CIRCUIT: SPST



NOTES:

1. ALL DIMENSIONS IN MM [INCH]
2. GENERAL TOLERANCE:  $x.x \pm 0.4$   
 $x.xx \pm 0.25$
3. TERM. NOS. FOR REF. ONLY
4. RATING: 50mA, @12V DC
- ▲5. OPERATING FORCE:  $350 \pm 50$ gf
6. TRAVEL:  $0.25 +0.2/-0.1$ MM
7. CONTACT RESISTANCE: 100 mΩ MAX. C
8. PACKAGING: TAPE AND REEL, 1600 PCS PER REEL
- ▲9. CONTACT MATERIAL: SILVER
10. ▲ DENOTES CRITICAL PARAMETER
11. 2002/95/EC (ROHS) COMPLIANT
12. MECHANICAL/ELECTRICAL LIFE: 100,000 CYCLES
13. OPERATING TEMPERATURE:  $-20^{\circ}\text{C}$  TO  $70^{\circ}\text{C}$  C



|     |        |                               |          |     |
|-----|--------|-------------------------------|----------|-----|
| C   | 21024  | 100mΩ WAS 100Ω, ADD TEMP NOTE | 2/12/13  | EBP |
| B   | 16711  | REVISED AND REDRAWN INVENTOR  | 11/29/06 | TN  |
| REV | PCR NO | DESCRIPTION                   | DATE     | BY  |

|                     |            |    |         |     |
|---------------------|------------|----|---------|-----|
| TITLE TL3304AF350QJ |            |    |         |     |
| SCALE               | DATE       | DR | DWG     | REV |
| 4:1                 | 11/29/2006 | TN | P010588 | C   |

THE INFORMATION CONTAINED IN THIS DOCUMENT IS PROPRIETARY TO E-SWITCH AND IS NOT TO BE COPIED OR TRANSFERRED