

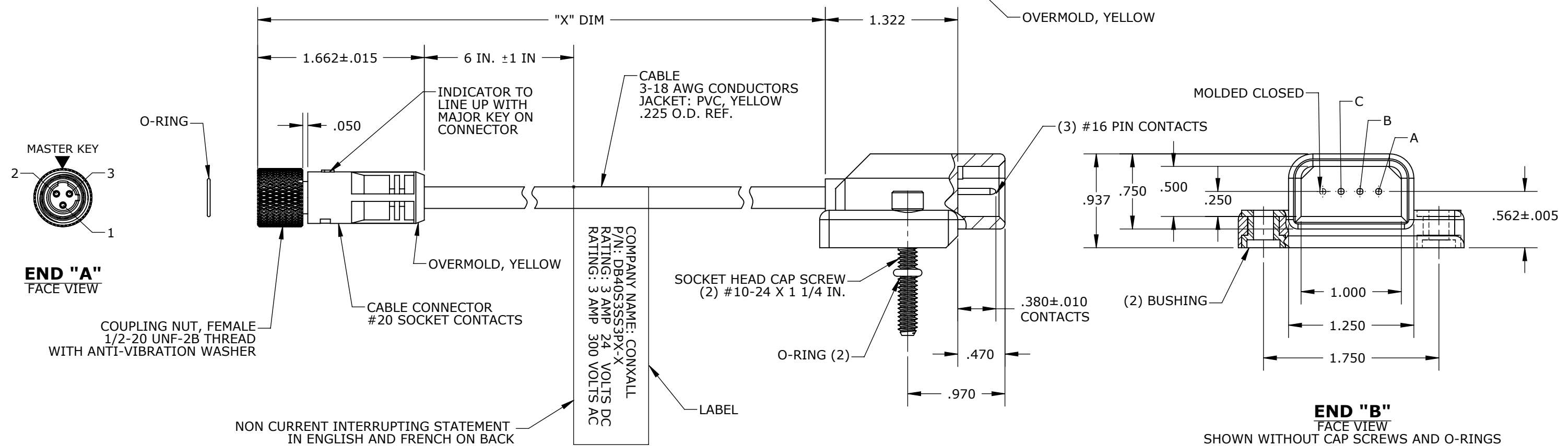
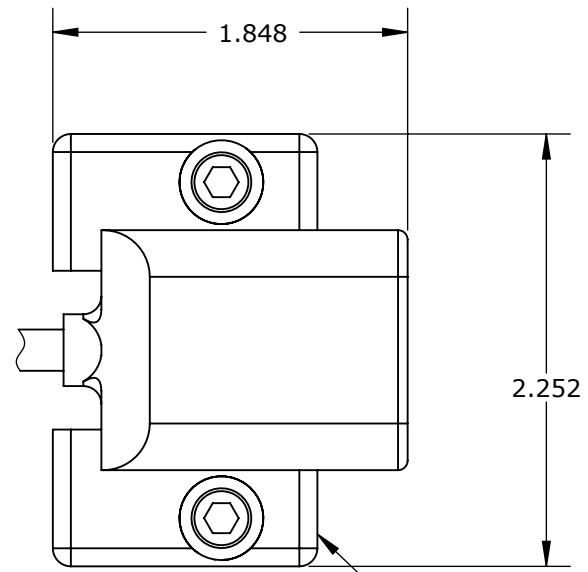
CUSTOMER PRINT

PART NUMBER: DB40S3SS3P3-XFAM

3 POLE ASSEMBLIES	
PART NO.	"X" DIM
DB40S3SS3P3-1	1 FT ±1 IN.
DB40S3SS3P3-2	2 FT ±2 IN.
DB40S3SS3P3-3	3 FT ±2 IN.
DB40S3SS3P3-4	4 FT ±2 IN.
DB40S3SS3P3-6	6 FT ±2 IN.
DB40S3SS3P3-12	12 FT ±4 IN.
DB40S3SS3P3-	

LENGTH IN FEET

- NOTES:
1. FINISHED PRODUCT 3 FEET AND SHORTER TO BE BUNDLED
FINISHED PRODUCT OVER 3 FEET TO BE COILED
FOR PART NUMBER SEE TABLE
ALL DIMENSIONS ARE REFERENCE UNLESS OTHERWISE SPECIFIED
 2. OVERMOLD BOOT MATERIAL: POLYURETHANE WITH YELLOW COLORANT, TYP. BOTH ENDS
 3. ELECTRICAL RATINGS: 3 AMPS, 300 VOLTS AC
3 AMPS, 24 VOLTS DC
 4. ELECTRICAL TEST:
a) 100% CONTINUITY TEST
b) AT CELL SET-UP AND SAMPLING:
HI-POT@1500V DC EACH CONTACT AGAINST ALL OTHERS AND GROUND



NOTE:
POSITIONS MARKED "----" ARE MOLDED CLOSED

COLOR CODE END "A"			WIRE COLOR CODE, END "B"			
POS. 1	POS. 2	POS. 3	POS. A	POS. B	POS. C	POS. D
GRN	RED/ WHT	RED/ BLK	GRN	RED/ WHT	RED/ BLK	---

CUSTOMER APPROVAL

THIS DOCUMENT CONTAINS CONFIDENTIAL INFORMATION PROPRIETARY TO CONXALL CORPORATION. ANY REPRODUCTION, DISCLOSURE, OR USE OF THIS DOCUMENT /INFORMATION IS EXPRESSLY PROHIBITED UNLESS AUTHORIZED IN WRITING BY CONXALL CORPORATION.

APPROVED BY: _____

DATE: _____

C	PD	08-04-11	UPDATED MANUFACTURING DRAWING PER ECR 7934
B	BZ	11-17-09	UPDATED MANUFACTURING DRAWING PER ECR 7305
A	BZ	03-06-09	DRAWING CREATED PER DOR 09-1230JT
REV.	INIT.	DATE	DESCRIPTION
	BZ	03-06-09	ALL INFORMATION ILLUSTRATED IS THE PROPERTY OF "CONXALL CORPORATION". UNAUTHORIZED DUPLICATION OR DISTRIBUTION OF THIS DOCUMENT IS PROHIBITED.
ALL UNITS ARE IN FEET, INCHES, FRACTION OF INCHES AND DECIMALS.			<p>601 E. WILDWOOD VILLA PARK, IL 60181</p>
SCALE	SIZE	SHEET	
NTS	B	1 OF 1	CUSTOMER: STANDARD PRODUCT
FILE:	DB40S3SS3P3-X	DIRECTORY:	PART NUMBER: DB40S3SS3P3-XFAM
		SLW	REV C