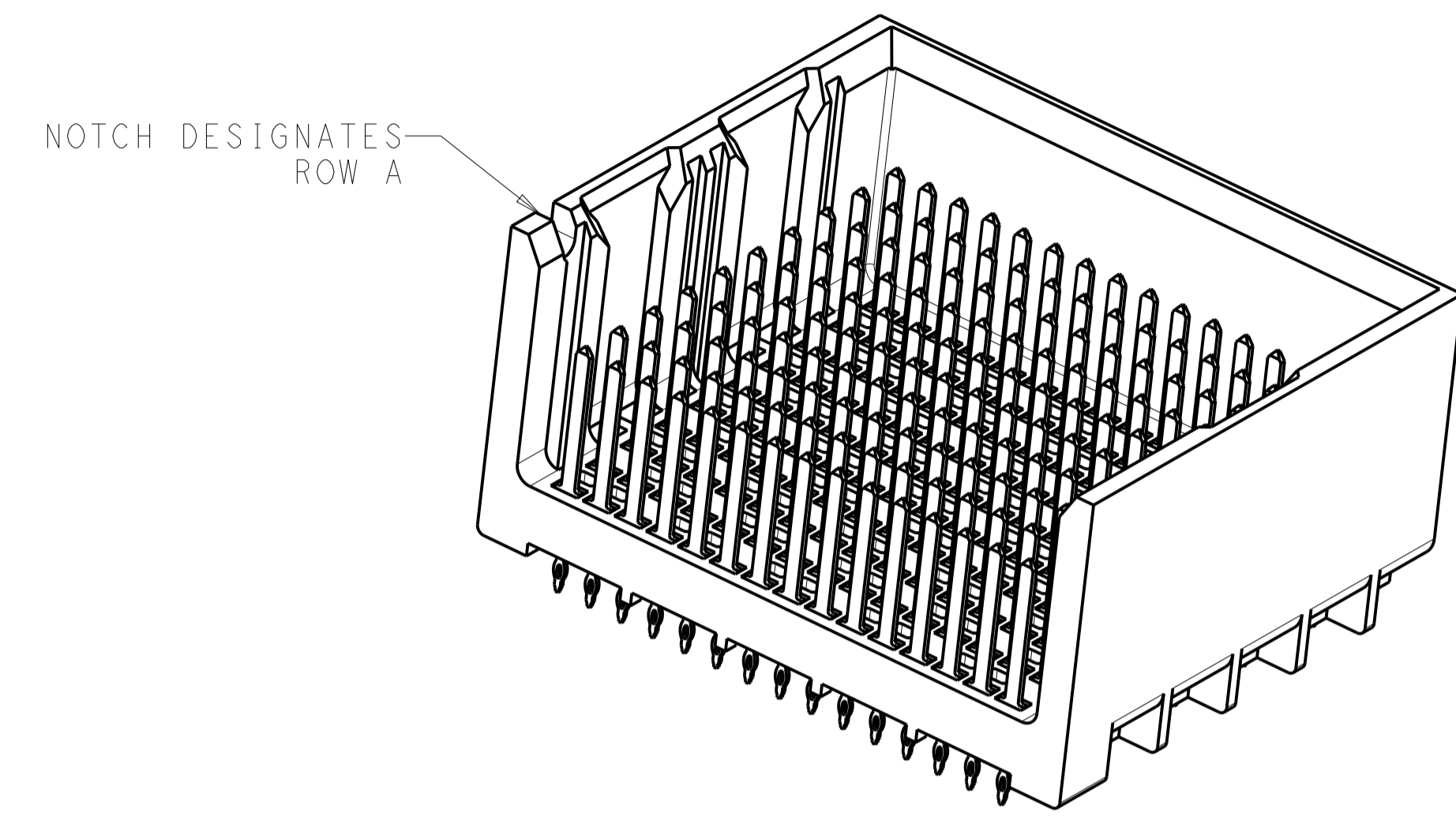
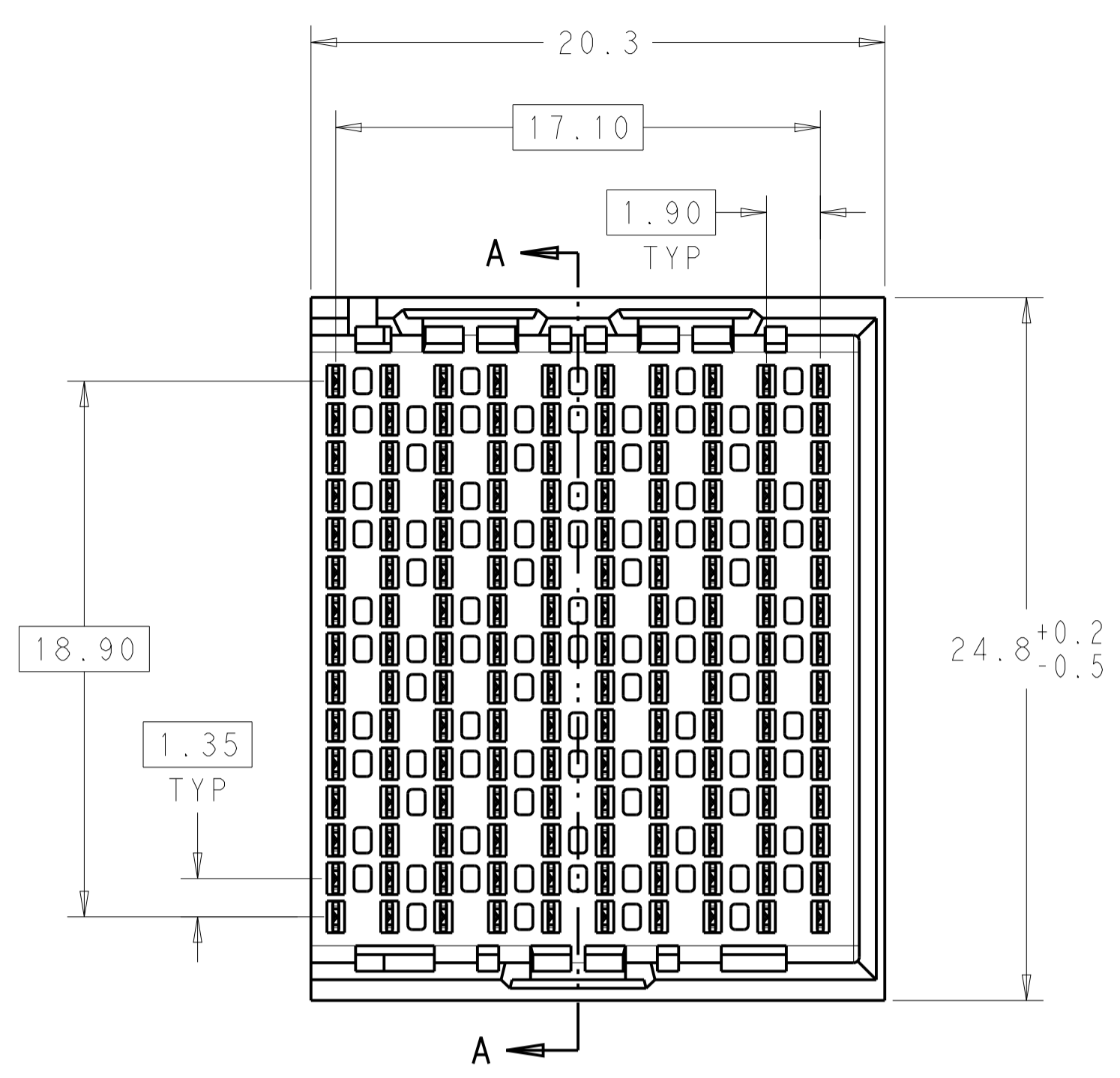
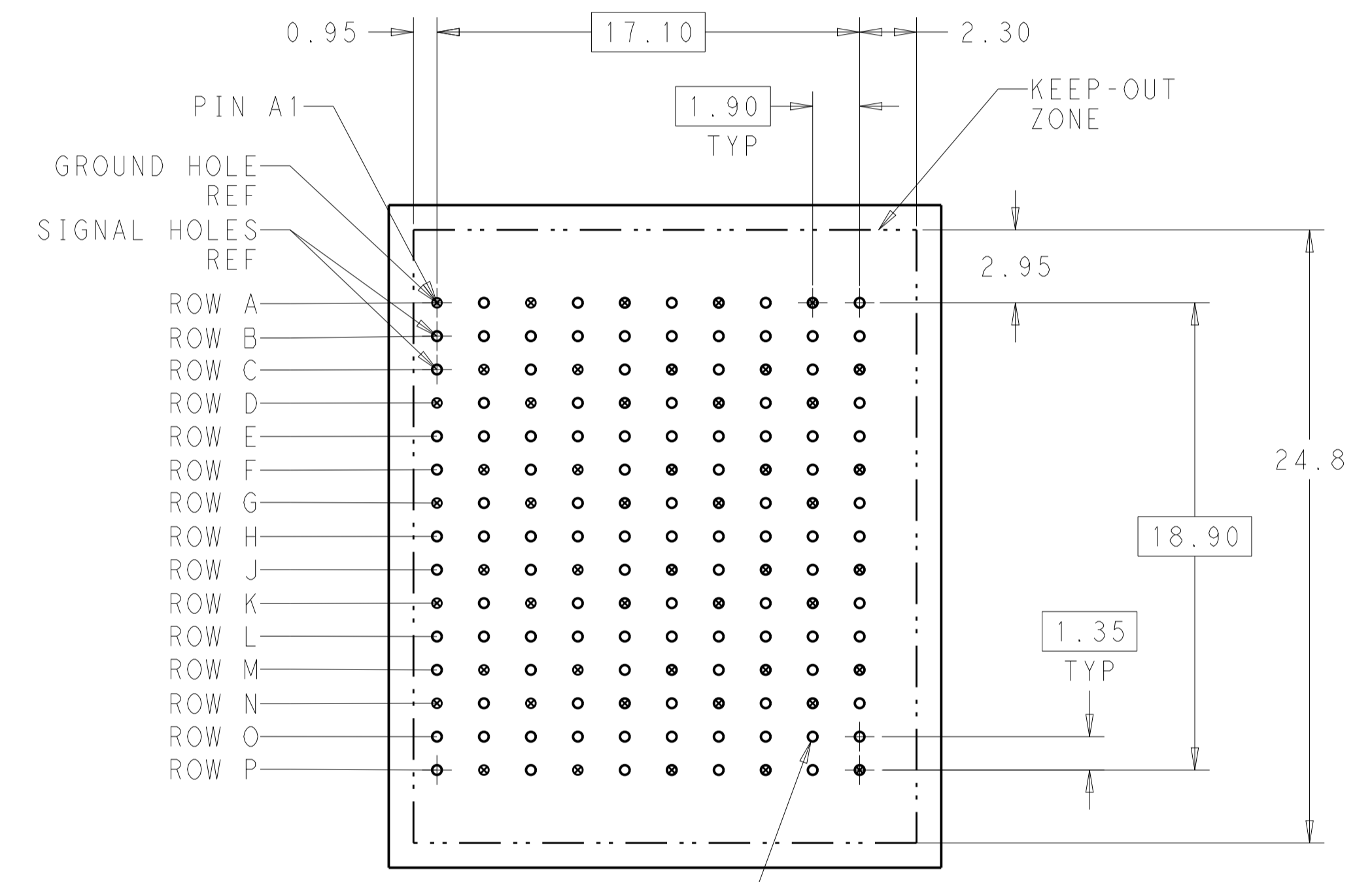


REVISIONS				
P.	LTN.	DESCRIPTION	DATE	APVD.
C		REVISED PER ECO-14-000933	28JAN2014	AP DD

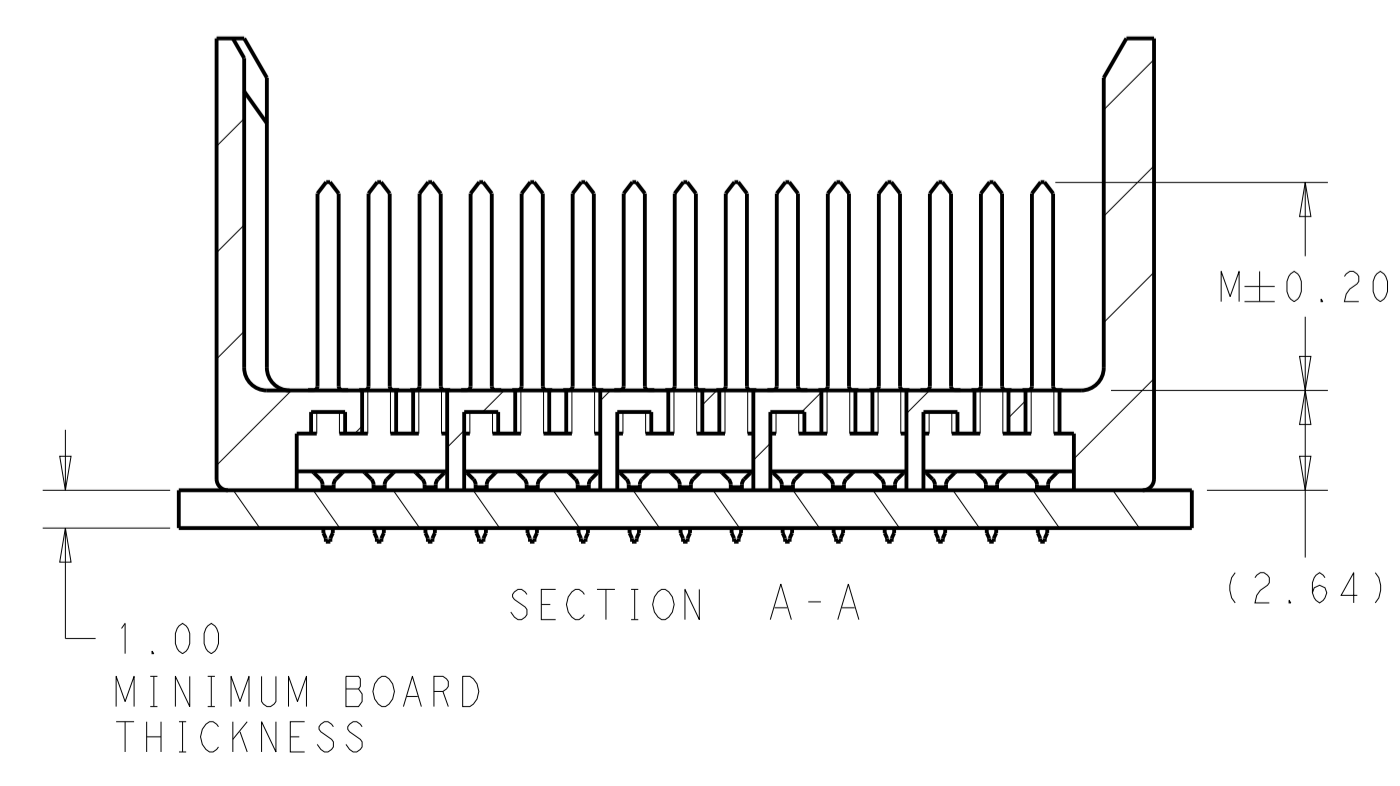
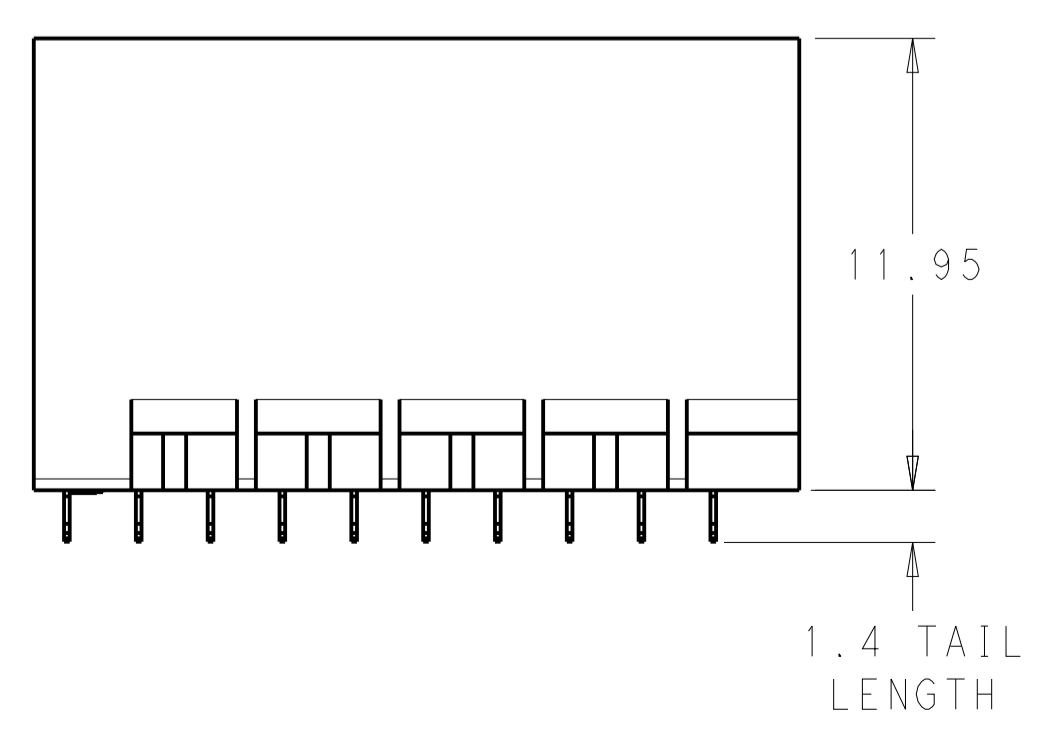


- ⚠ MATERIAL:
HOUSING: LCP, GLASS FILLED, UL94V-0.
TERMINALS: HIGH PERFORMANCE COPPER ALLOY.
- ⚠ FINISH:
30μ" MIN GOLD IN CONTACT AREA. SELECTIVE TIN ON PCB TAILS, NICKEL OVERALL.
- ⚠ FINISH:
30μ" MIN GOLD IN CONTACT AREA. SELECTIVE TIN-LEAD ON PCB TAILS, NICKEL OVERALL.



150X Ø0.39±0.05
±0.10
PLATED THRU HOLE

UNGUIDED
BACKPLANE HOLE PATTERN
(CONNECTOR SIDE)



THIS DRAWING IS A CONTROLLED DOCUMENT.		DWN J. K. SHOBER 13JAN2011	TE Connectivity
DIMENSIONS: mm		CHK J. EARY 13JAN2011	
TOLERANCES UNLESS OTHERWISE SPECIFIED:		APVD J. EARY 13JAN2011	NAME IMPACT, 5 PAIR, 10 COLUMN, HEADER
0 PLC ±0.25		PRODUCT SPEC	UNGUIDED, RIGHT END WALL
1 PLC ±0.13		APPLICATION SPEC	SIGNAL MODULE, 0.39 PTH
2 PLC ±0.13		WEIGHT	SIZE CAGE CODE DRAWING NO. RESTRICTED TO
3 PLC ±0.13		CUSTOMER DRAWING	A100779C=2007855
4 PLC ±0.13		SCALE 5:1	SHEET 1 OF 2
ANGLES ±0.13			REV C

THIS DRAWING IS UNPUBLISHED.	RELEASED FOR PUBLICATION	20
© COPYRIGHT 20	ALL RIGHTS RESERVED.	

REVISIONS					
P.	LTN	DESCRIPTION	DATE	DMN	APVD
-	-	SEE SHEET 1	-	-	-

	5.5	2007855-6
	4.9	2007855-5
	4.5	2007855-4
	5.5	2007855-3
	4.9	2007855-2
	4.5	2007855-1
FINISH	DIM M	PART NUMBER

REFER TO WWW.TE.COM
FOR PRODUCT AVAILABILITY

THIS DRAWING IS A CONTROLLED DOCUMENT.		DMN J. K. SHOBER 13JAN2011		TE Connectivity
DIMENSIONS: mm		CHK J. EARY 13JAN2011		
TOLERANCES UNLESS OTHERWISE SPECIFIED: 0 PLC ± 1 PLC ±0.25 2 PLC ±0.13 3 PLC ± 4 PLC ±		APVD J. EARY 13JAN2011	NAME	IMPACT, 5 PAIR, 10 COLUMN, HEADER UNGUIDED, RIGHT END WALL SIGNAL MODULE, 0.39 PTH
ANGLES FINISH ±		PRODUCT SPEC	APPLICATION SPEC	RESTRICTED TO
MATERIAL	SEE TABLE	WEIGHT	SIZE	CAGE CODE
			A100779	©=2007855
CUSTOMER DRAWING		SCALE	5:1	SHEET 2 OF 2
		REV	C	