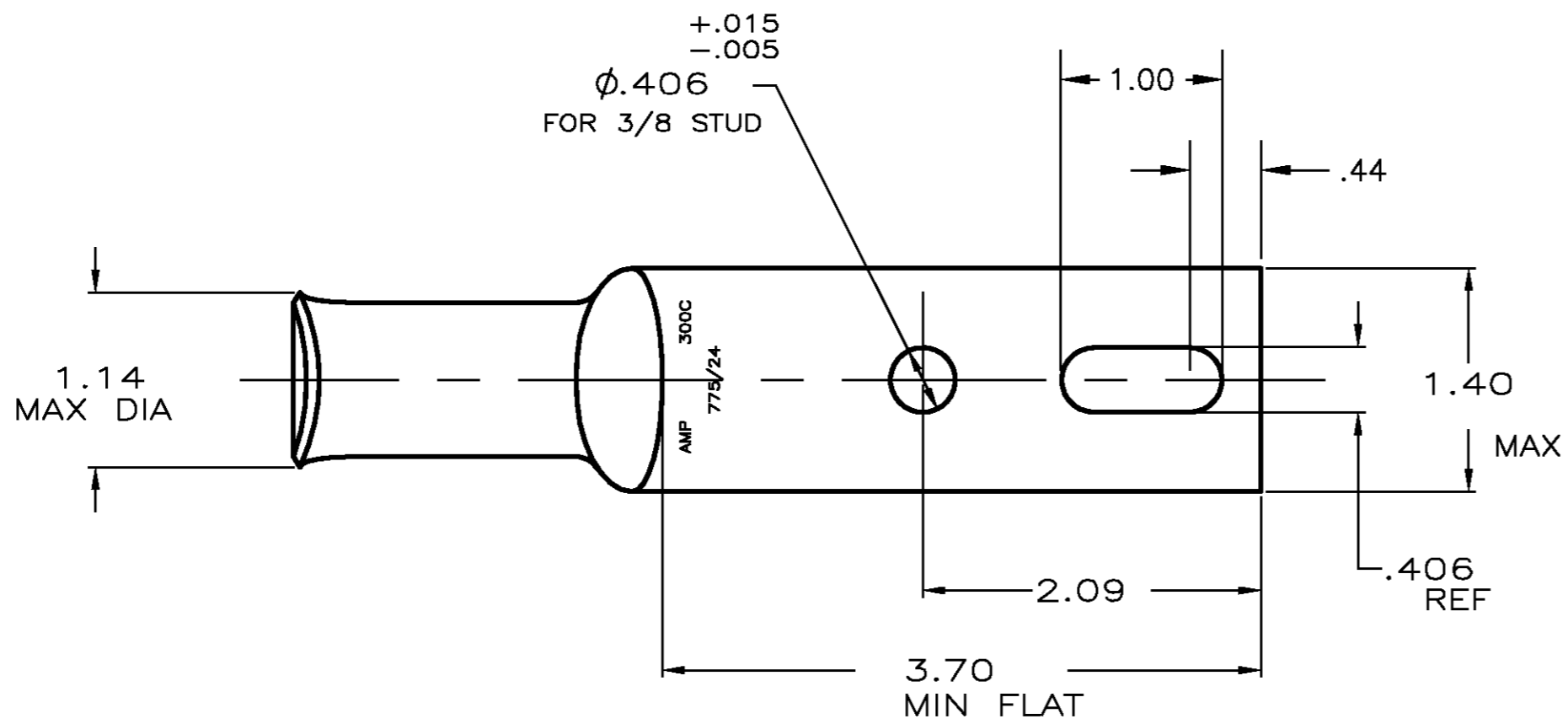
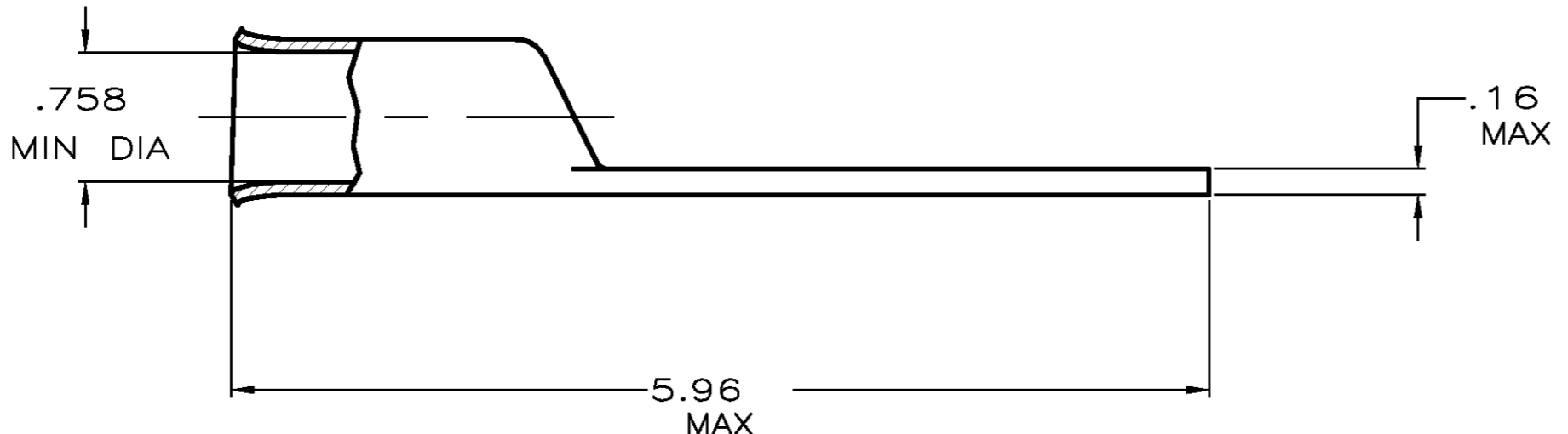


THIS DRAWING IS UNPUBLISHED. RELEASED FOR PUBLICATION
 © COPYRIGHT BY TYCO ELECTRONICS CORPORATION. ALL RIGHTS RESERVED.

LDC	DIST	REVISIONS					
		P	LTR	DESCRIPTION	DATE	DWN	APVD
G	86	A		REV PER 0G3A-0724-02	27NOV02	JR	MS



1 CIRCULAR MIL RANGE: 275-325 MCM
 △ TIN PL 0.00381[.000150] MIN THK PER ASTM B-545



605601-1
 PART NO.

THIS DRAWING IS A CONTROLLED DOCUMENT.		DWN JR RUTH 13DEC01	Tyco Electronics Corporation Harrisburg, PA 17105	
DIMENSIONS: INCHES	TOLERANCES UNLESS OTHERWISE SPECIFIED:	GHK C KULYNYCH 13DEC01	NAME MJ SPICER	
	0 PLC ± -	APVD MJ SPICER 13DEC01	PRODUCT SPEC 108-30200	
	1 PLC ± -	APPLICATION SPEC	-	
	2 PLC ± .020	SIZE	CAGE CODE	DRAWING NO
	3 PLC ± -	WEIGHT	A2 00779	C-605601
4 PLC ± -	ANGLES ± -	RESTRICTED TO		
MATERIAL ANNEALED COPPER	FINISH △	SCALE 1:1		SHEET 1 OF 1
CUSTOMER DRAWING		REV A		

605601