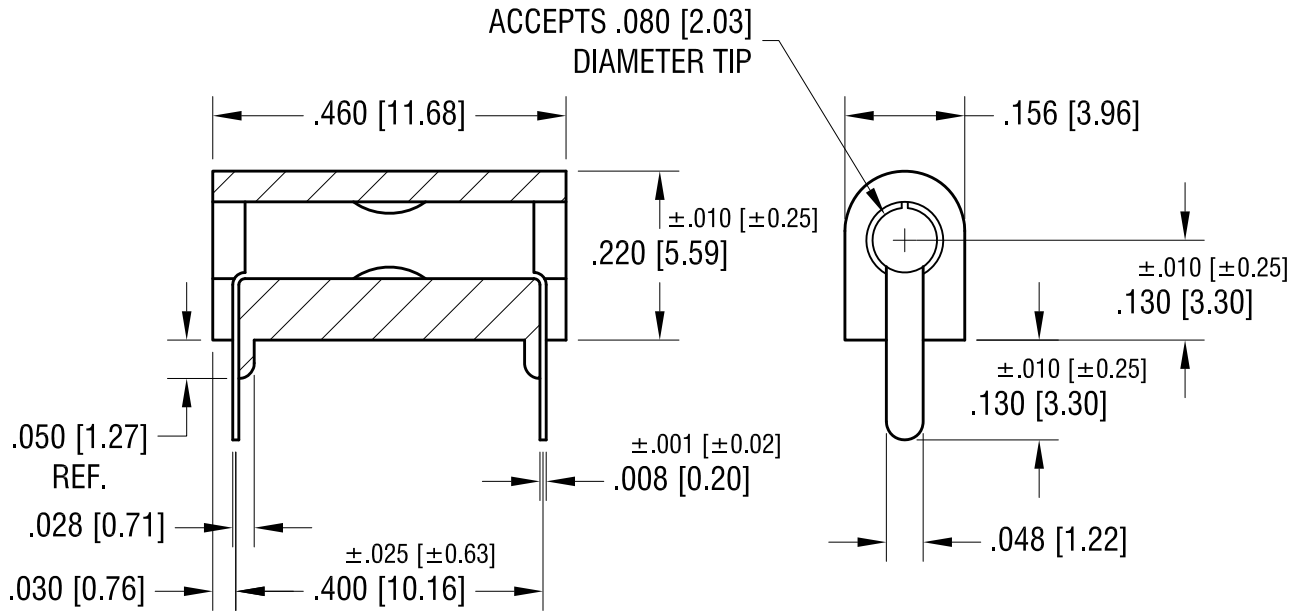
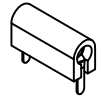


THIS DOCUMENT IS THE PROPERTY OF
KEYSTONE ELECTRONICS CORP. AND
SHALL NOT BE REPRODUCED, DISTRIBUTED
OR USED AS A BASIS FOR MANUFACTURE
WITHOUT PRIOR WRITTEN PERMISSION
FROM KEYSTONE ELECTRONICS CORP.

ACTUAL SIZE



NOTES:

1. BODY: MAT'L - NYLON
CONTACT: MAT'L - BERYLLIUM COPPER
FINISH - GOLD PLATE
2. MOUNTING HOLES: .052 [1.32] DIA.

PART NO.	BODY COLOR
6060	WHITE
6061	RED
6062	BLACK
6063	YELLOW
6064	GREEN
6065	BLUE

DATE	DESCRIPTION	REV.
2.26.16	CHANGE AS PER ECN 16-032	F
1.02.14	CHANGE AS PER ECN 14-005	E
7.8.05	CHANGE AS PER ECN 05-044	D

KEYSTONE ELECTRONICS CORP.

www.keyelco.com • ASTORIA, N.Y. 11105-2017 • Tel (718) 956-8900

PART NAME
LOW PROFILE HORIZONTAL PC TEST JACK

MATERIAL
AS NOTED

FINISH AS NOTED	DRN BY	BOONE	DATE	12.14.03
	APP'D	LN	SCALE	4X

TOLERANCES INCH [MM]
DECIMAL $\pm .005$ [± 0.15]
ANGULAR $\pm 1^\circ$
UNLESS OTHERWISE SPECIFIED

CODE
C

DWG NO.
6060 - 6065