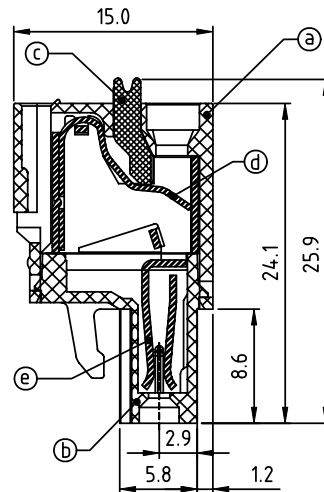
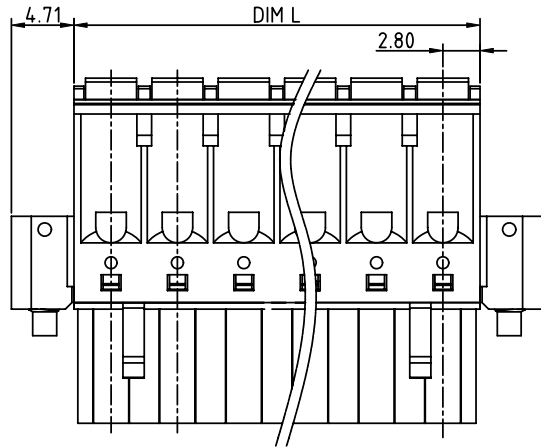
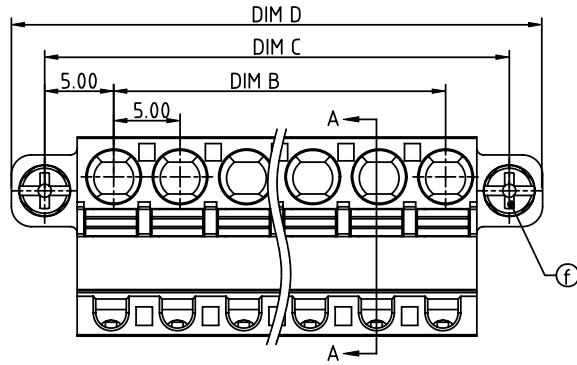
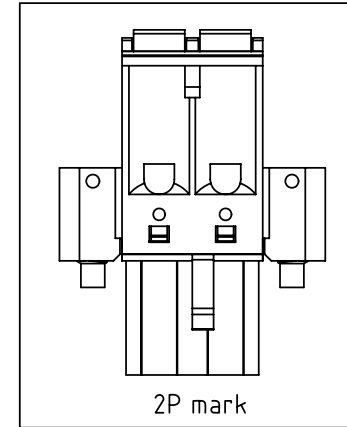


PRODUCT NUMBER	PITCH
HWxx70x200J0G	5.00 mm



SECTION A-A



Material:

- Item (a) Top body: Thermoplastic (UL94V-0)
- Item (b) Bottom body: Thermoplastic (UL94V-0)
- Item (c) Terminal lever: Thermoplastic (UL94V-0) Orange(RAL2011/P)
- Item (d) Spring clamp: Stainless Steel
- Item (e) Female contact: PhBz (CuSn) Tin plated
- Item (f) Flange screw: Steel "+/-" combination type Zinc plating M2.5

Electrical

- Voltage rating: 300V
- Current rating: 10A
- Solid wire(AWG): 12-26
- Stranded wire(AWG): 12-26
- Wire strip length: 8-9mm
- Withstanding Voltage: 1.6KV
- Operating temperature: -40°C to +115°C
- Safety Approval: us

cULus

N=Number of poles

Dim L=(N-1)×5.00+5.6
Dim B=(N-1)×5.00
Dim C=(N-1)×5.00+10.0
Dim D=(N-1)×5.00+15.02

Poles	Tolerance
2P-6P	±0.15
7P-12P	±0.20
13P-18P	±0.25
19P-24P	±0.30

PART NO.: HW xx 7 0 x 2 00J0 G

- | | | | |
|--------------|----------|-----------------|--|
| Solid block | 0 | Black (RAL9005) | RoHS compliant
(lead<4%)
In copper Alloy |
| No. of poles | 2 | Red (RAL3001/D) | |
| 02 | 2 poles | 3 | Orange(RAL2011/P) |
| 03 | 3 poles | 4 | Yellow(RAL1018/A) |
| ... | ... | 5 | Green(RAL6018/T) |
| 24 | 24 poles | 6 | Blue (RAL5015/A) |
| | | 8 | Grey(RAL7035/D) |
| | | 9 | White(RAL1102) |
| | | C | Green(RAL6018/U) |

mat'l. code		surface ASME Y14.5	tolerance ASME Y14.5	projection	product family TERMINAL BLOCK
ltr	ecn no	dr	date		title
				tolerances unless otherwise specified	TERMINAL BLOCK SPRING CLAMP, PLUGGABLE PLUG, WITH FLANGE CONTACT ON DOWN SIDE
				angles $\frac{\phi}{E}$	scale
				X.±0.5	MM
				X.X±0.3	
				X*1*	
				X.XX±0.1	
		dr	EVIN ZHONG	051514	dwg no
		enr	EVIN ZHONG	051514	sheet 1 of 1
		chr	HANKE FENG	051514	size
		appd	SHI JUN	051514	HWxx70x200J0G
					A4
sheet index	revision	A			type
	sheet	1			CUSTOMER Drawing