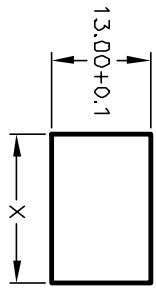
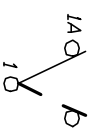


PANEL THICKNESS	X dimension
0.75-1.25 [.030-.049]	19.2-.01 [.756]
1.25-2.0 [.049-.079]	19.4-.01 [.764]
2.0-3.0 [.079-.118]	19.8-.01 [.780]



PANEL CUTOUT  
NOT TO SCALE

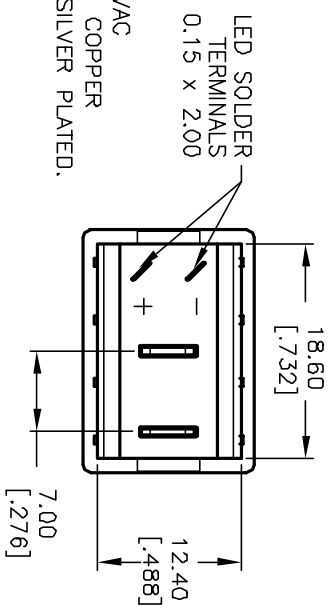
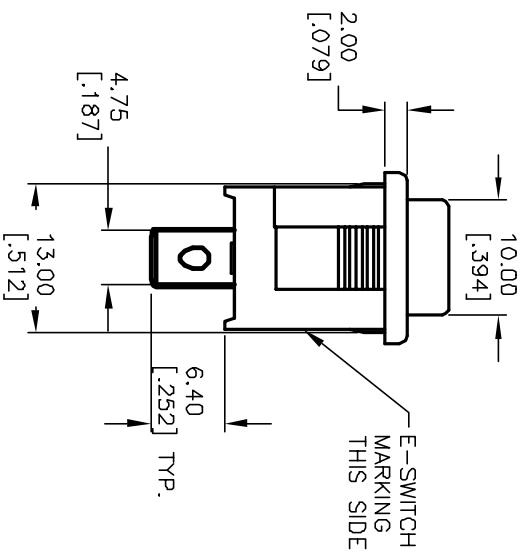
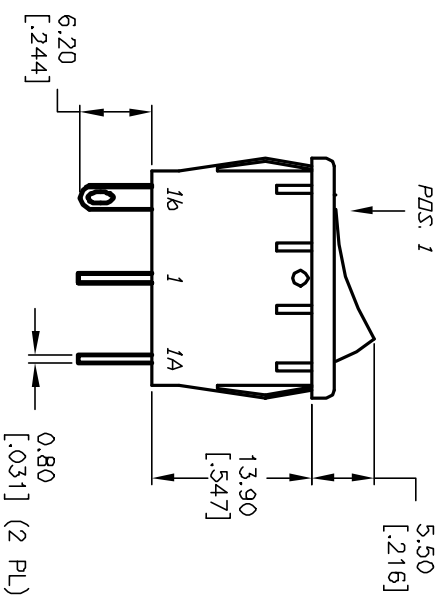
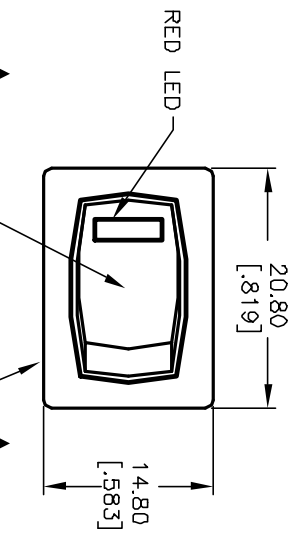
SWITCH FUNCTION	
PDS: 1	PDS: 2
DN	OFF
1-1a	OPEN



CIRCUIT: SPST

NOTES:

1. ALL DIMENSIONS IN MM [INCH]
2. GENERAL TOLERANCE: X.X=±0.4  
X.XX=±0.25
3. TERMINAL NUMBERS FOR REF ONLY
4. RATING: 15A @ 125VAC OR 6A @ 250VAC
5. MATERIALS: (TERMINALS) SILVER PLATED COPPER  
(CONTACTS) COIN SILVER, SILVER PLATED.
6. CONTACT RESISTANCE: <20 Mega
7. ELECTRIC LIFE: 10,000 cycles
8. INSULATION RESISTANCE: >1000 Mega
9. DIELECTRIC STRENGTH: >1500V 1 minute  
>3000V between Poles



RED L.E.D.

PARAMETERS	SYMBOL	MAX. TYP.	UNITS
POWER DISSIPATION	$P_D$	80	mW
Ave FORWARD CURRENT	$I_{AF}$	--	mA
PEAK FORWARD CURRENT	$I_{PF}$	100	mA
REVERSE VOLTAGE	$V_R$	5	V
FORWARD VOLTAGE	$V_F$	2.1	V
REVERSE CURRENT	$I_R$	100	$\mu A$
EMISSION WAVELENGTH	$\lambda_p$	660	nm
LUMINOUS INTENSITY	$I_v$	30	mcd

D	11666	REVISED AND REDRAWN	9/20/01	CJB
REV.	ECN No.	DESCRIPTION	DATE	CHKD

TITLE	SCALE	DATE	DR	DWG	REV
R19664 WHT WHT E F RED	1.5:1	10/31/96	MM	M301108	D

**E-SWITCH®**

THE INFORMATION CONTAINED IN THIS DOCUMENT IS PROPRIETARY TO E-SWITCH AND IS NOT TO BE COPIED OR TRANSFERRED