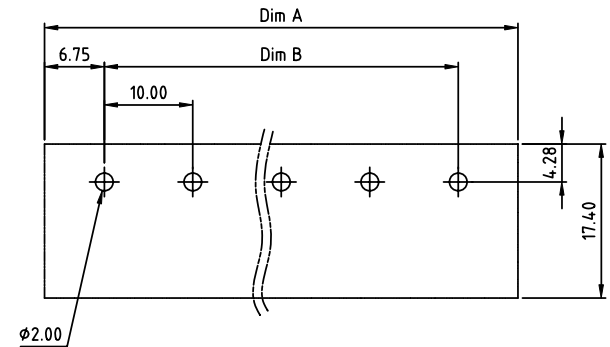
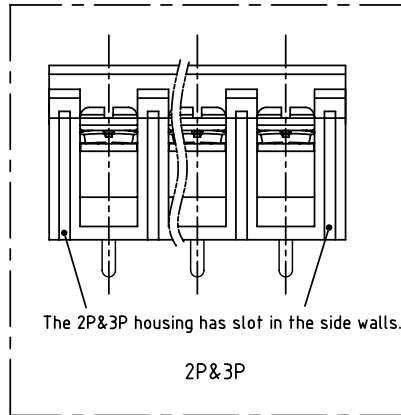
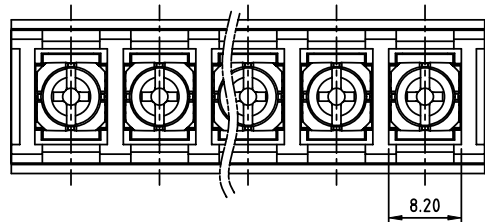
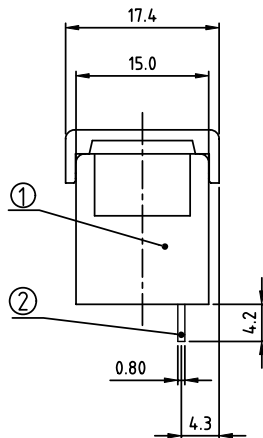
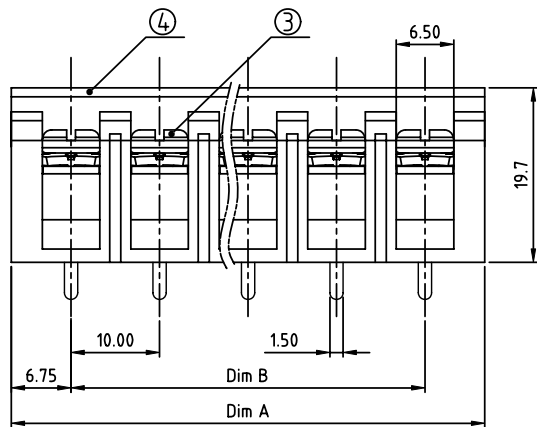


PRODUCT NUMBER	PITCH
YK604xx2x0JOG	10.00mm



RECOMMENDED P.C.B LAYOUT
TOP VIEW



MATERIALS ELECTRICAL
 RATED VOLTAGE & CURRENT: 300 V, 20 A
 WITHSTAND VOLTAGE: AC 2000 V/Min
 INSULATION RESISTANCE: 1000 M Ω OR MORE AT DC 500 V
 OPERATING TEMPERATURE RANG: -40 °C ~ +115 °C
 SCREW TORQUE VALUE: 12Lb-In.
 WIRE RANGE: 22 - 12 AWG
 1) HOUSING: THERMOPLASTIC, UL 94 V-0 BLACK
 2) TERMINAL: BRASS, 0.8t
 3) SCREWS: STEEL, M3.5
 4) COVER MATERIAL: PC
 APPROVAL: US

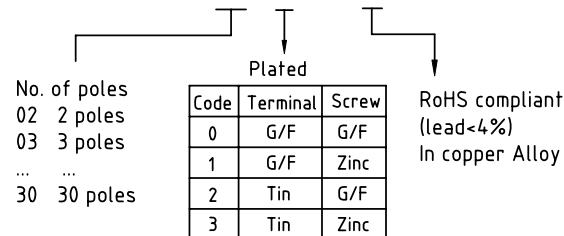
DIMENSION

Dim A	N \times 10.0 \pm 3.5
Dim B	(N-1) \times 10.0

N=Number of poles

Poles	Tolerance
2p-4p	\pm 0.20
5p-10p	\pm 0.30
11p-24p	\pm 0.40
25p-30p	\pm 0.50

PART NO.: YK 604xx 2 x 0 JOG



mat'l. code		surface ASME Y14.5	tolerance ASME Y14.5	projection 	product family TERMINAL BLOCK
ltr	ecn no	dr	date	tolerances unless otherwise specified	title TERMINAL BLOCK
				angles ϕ X \pm 1°	BARRIER TYPE, WITH COVER
				dr EVAN LU 061414	scale
				enr EVAN LU 061414	FCI
				chr HANKE FENG 061414	dwg no YK604xx2x0JOG
				appd SHI JUN 061414	sheet 1 of 1 size A4
sheet index	revision sheet	A	1		type CUSTOMER Drawing