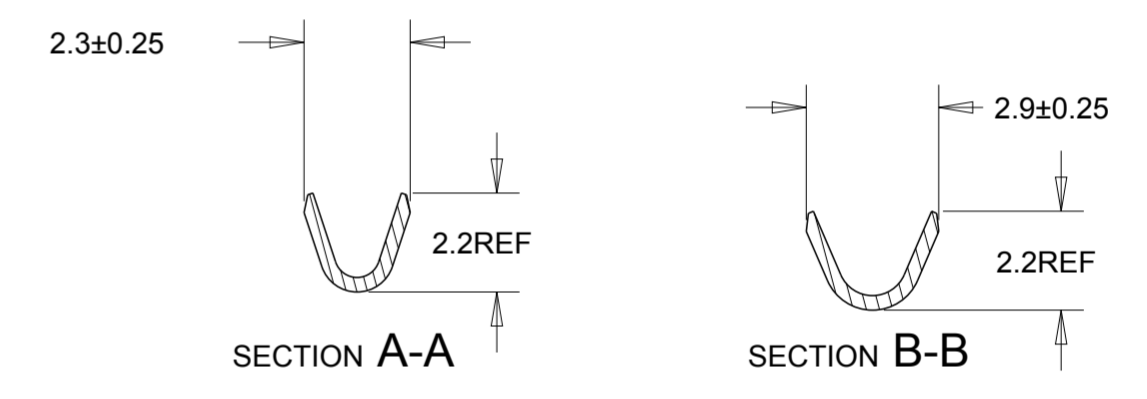
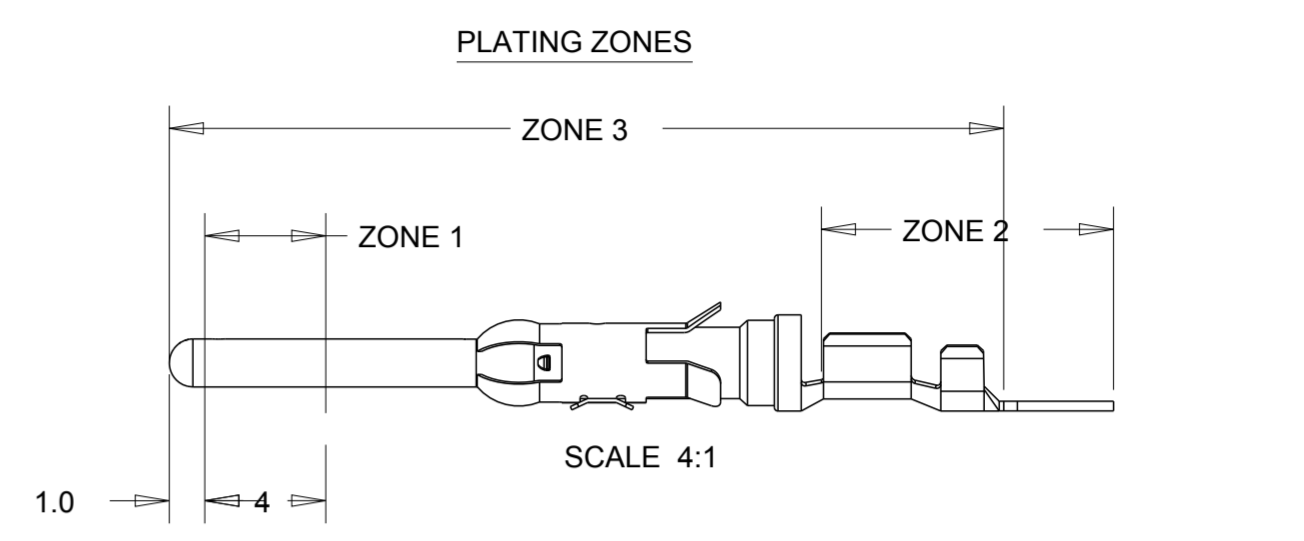
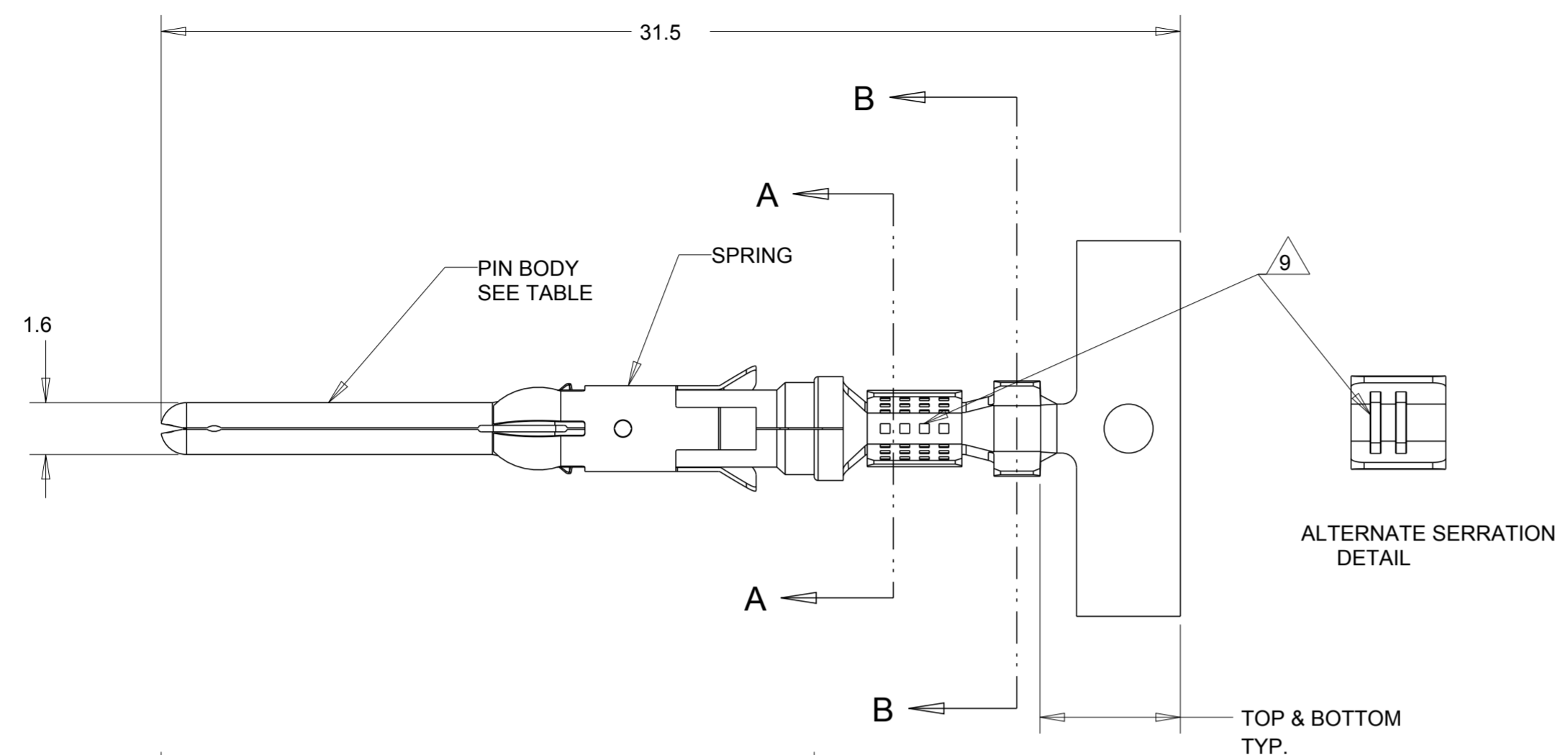


THIS DRAWING IS UNPUBLISHED. RELEASED FOR PUBLICATION 2011
 © COPYRIGHT 2011 ALL RIGHTS RESERVED.

REVISIONS					
P	LTR	DESCRIPTION	DATE	DWN	APVD
	AD	ECR-12-010700	11/06/12	MJG	DP



- 1 1.27 MICRON MIN NICKEL PLATE OVER ZONE 3.
0.76 MICRON MIN PRECIOUS METAL PLATE OVER ZONE 1.
1 MICRON MIN TIN PLATE OVER ZONE 2.
CONFORMS TO THE REQUIREMENTS OF TE CONNECTIVITY PRODUCT SPEC 108-10042
BASED ON EIA/ECA-364-1000.01A (CONTROLLED ENVIRONMENT APPLICATIONS)
- 2 1.27 MICRON MIN NICKEL PLATE OVER ZONE 3.
0.76 MICRON MIN PRECIOUS METAL PLATE OVER ZONE 1.
0.076 MICRON MIN GOLD FLASH PLATE OVER THE REMAINDER OF ZONE 3.
CONFORMS TO THE REQUIREMENTS OF TE CONNECTIVITY PRODUCT SPEC 108-10042
BASED ON EIA/ECA-364-1000.01A (CONTROLLED ENVIRONMENT APPLICATIONS)
- 3 1.54 - 2.54 MICRON SILVER PLATE OVER ZONE 3.
- 4 1.27 MICRON MIN NICKEL PLATE OVER ZONE 3.
0.76 MICRON MIN GOLD PLATE OVER ZONE 1.
0.076 MICRON MIN GOLDFLASH PLATE OVER THE REMAINDER OF ZONE 3.
- 5 1.27 MICRON MIN NICKEL PLATE OVER ZONE 3.
0.76 MICRON MIN GOLD PLATE OVER ZONE 1.
1 MICRON MIN TIN PLATE OVER ZONE 2.
- 6 HOT-DIPPED PRETIN
- 7 1 - 3 MICRON ELECTRO-TIN PLATE OVER ZONE 3
- 8 0.76 MICRON MIN NICKEL PLATE OVER ZONE 3 PER QQ-N-290
1.5 - 2.54 MICRON SILVER PLATE OVER ZONE 3,
- 9 SERRATIONS CAN BE MULTILOCK OR TWO SLOTS
- 10. WIRE RANGE: 0.20 - 0.50 mm² (24-20 AWG)
- 11. INSULATION RANGE: 1.1 - 1.8 mm (.043-.070) DIA
- 12 SPECIAL REEL WITH 200 PCS FOR REEL-FED HANDTOOL

REELING DIRECTION	FINISH	SPRING MATERIAL	PIN BODY	LOOSE PIECE	PART NUMBER
C	2	STAINLESS STEEL	BRASS		5-163085-2
A	1	STAINLESS STEEL	BRASS	1-163082-0	1-163085-1
A	7	STAINLESS STEEL	BRASS	163082-1	163085-9
A	2	STAINLESS STEEL	BRASS	163082-2	163085-8
B	2	STAINLESS STEEL	BRASS		163085-2
B	7	STAINLESS STEEL	BRASS		163085-1

THIS DRAWING IS A CONTROLLED DOCUMENT.

DWN J.BRIGHT 26/10/11
 CHK M.GREENER 26/10/11
 APVD D.PENNINGTON 11/06/12

PRODUCT SPEC 108-10042
 APPLICATION SPEC 114-10004

TE Connectivity
PIN ASSEMBLY
 0.062 TYPE III CONTACT

SIZE A200779 CAGE CODE A200779 DRAWING NO. 163085 RESTRICTED TO -
 WEIGHT -
 CUSTOMER DRAWING SCALE NTS SHEET 1 OF 1 REV AD