

AVAILABLE THROUGH DISTRIBUTION



BOURNS®

TC89 9 mm Round Trimming Potentiometer

Features

- 9 mm Round / Single-Turn / Cermet Industrial / Open Frame
- Both sides adjust
- Horizontal and vertical mounting styles
- Dust resistant/splash resistant covers
- PC board stand-offs
- RoHS compliant*

OBSOLETE

Electrical Characteristics

Standard Resistance Range100 ohms to 1 megohm
(see standard resistance table)
Resistance Tolerance±20 % std.
Absolute Minimum Resistance
≤500 Ohms10 ohms max.
>500 Ohms2 % max. of TR
Contact Resistance Variation5 % max.
ResolutionInfinite
Adjustment Angle270 ° ±15 °

Environmental Characteristics

Power Rating (250 VDC max.)
70 °C0.5 watt
Temperature Range.....-30 °C to +100 °C
Temperature Coefficient±250 ppm/°C
Humidity95 % RH
TRS ±5 %
Load Life500 hours @ 70 °C
TRS ±5 %
Rotational Cycling50 cycles
TRS ±10 %

Physical Characteristics

Torque50-350 gf-cm
Mechanical Angle270 ° ±15 °
MarkingPart marking code
Standard Packaging200 pcs./bag
Adjustment ToolH-90
Aqueous cleaning not recommended

Standard Resistance Table

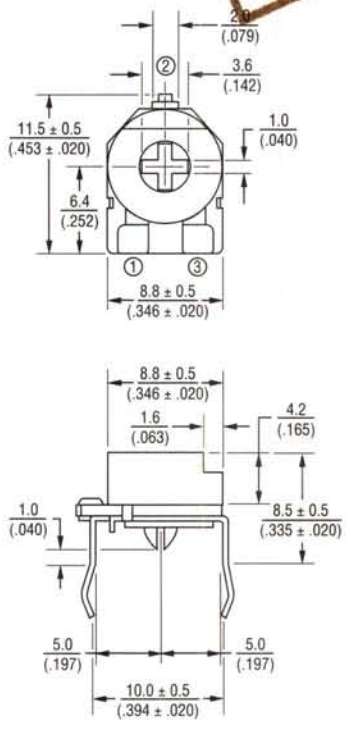
Resistance (Ohms)	Resistance Code
100	101
200	201
500	501
1,000	102
2,000	202
5,000	502
10,000	103
20,000	203
50,000	503
100,000	104
200,000	204
500,000	504
1,000,000	105

Popular distribution resistance values listed in **boldface**.

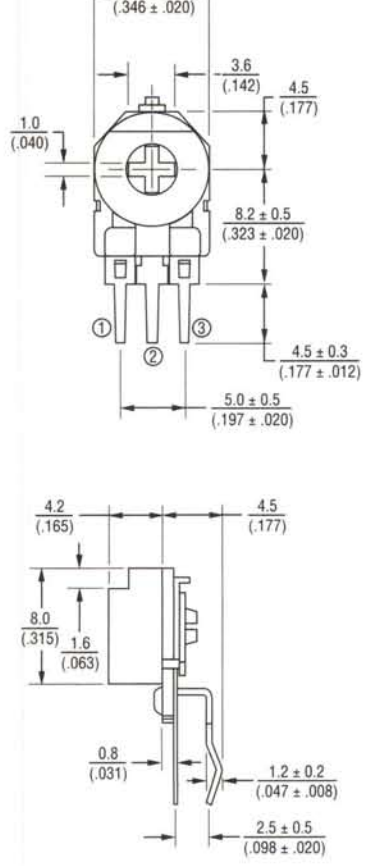
Specifications are subject to change without notice.
*RoHS Directive 2002/95/EC Jan 27 2003 including Annex.
Customers should verify actual device performance in their specific applications. REV 09/04

Product Dimensions

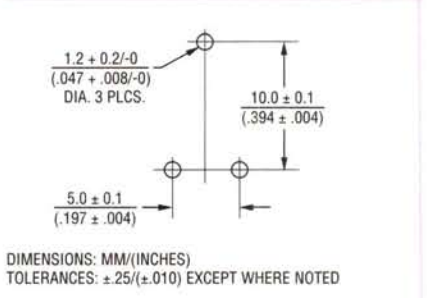
Top Adjust
TC89P



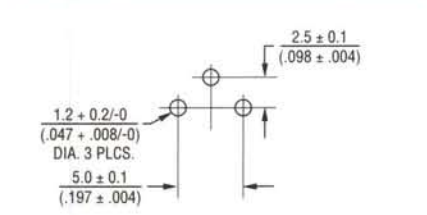
Side Adjust
TC89W



Suggested PCB Layout



Suggested PCB Layout



How To Order

Model TC89 P - 1 - 103

Style _____

Standard Product Indicator _____

Resistance Code _____

