

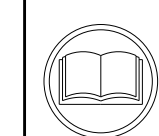
ATLANTIC VERSION TERMINATOR INTERFACE ADAPTER	PART NUMBER	REVISION	DESCRIPTION	FEED TYPE	APPLICATOR STYLE CONVERSION CHART						
					CONVERT TO	PART NUMBERS REQUIRED					
	2151422-1	A	FINE CRIMP HEIGHT ADJUST	MECHANICAL	PNEUMATIC FEED	2119950-1	1338685-1	5-18022-5	2119641-1	2119799-1	2063440-1
					SERVO LATCH PLATE	2119951-1	-	8-2151422-5	1901094-3	1-1752354-7	2168400-6 (QUANTITY 2)
					SMART APPLICATOR	2161326-1	-	8-2151422-4	-	-	-
	2151422-2	A	FINE CRIMP HEIGHT ADJUST	PNEUMATIC	MECHANICAL FEED	2119949-1	1338685-1	5-18022-5	2119653-1	-	-
					SERVO LATCH PLATE	2119951-1	-	8-2151422-5	1901094-3	1-1752354-7	2168400-6 (QUANTITY 2)
					SMART APPLICATOR	2161326-1	-	8-2151422-4	-	-	-
	2151422-5	A	FINE CRIMP HEIGHT ADJUST	SERVO LATCH PLATE	MECHANICAL FEED	2119949-1	1338685-1	5-18022-5	2119653-1	-	-
					PNEUMATIC FEED	2119950-1	1338685-1	5-18022-5	2119641-1	2119799-1	2063440-1
	2151422-6	A	NON-CRIMP HEIGHT ADJUST	SERVO LATCH PLATE	-	-	-	-	-	-	-
					-	-	-	-	-	-	-
	2151422-7	A	FINE CRIMP HEIGHT ADJUST	NONE	-	-	-	-	-	-	-
					-	-	-	-	-	-	-
7-2151422-7	A	CRIMP TOOLING KIT	-	-	-	-	-	-	-	-	

APPLICATOR DATA		
CRIMP	SIZE	TYPE
WIRE	1.35 mm [.053]	F
INSUL	1.55 mm [.061]	O

APPLICATOR INSTRUCTIONS 408-10389

TERMINAL DATA: YAZAKI TERMINAL		YAZAKI CRIMP SPECIFICATION	
TERMINAL NAME: KAIZEN 0.64 TERMINAL MALE			
WIRE STRIP LENGTH		INSULATION DIAMETER RANGE	
4.50-5.00 mm [.177-.197 IN]		Ø1.50-1.85 mm [.059-.073 IN]	
TERMINAL APPLICATION SPECIFICATION		YAZAKI Rev WAI791	
TERMINALS APPLIED			
TE TERMINAL	YAZAKI TERMINAL	TE TERMINAL	YAZAKI TERMINAL
1642948-1	7114-4618-02	1642772-1	7116-4618-02
1949674-1	7116-5231-08		

WIRE SIZE	CRIMP HEIGHT mm [INCH]	CRIMP HEIGHT REFERENCE SETTING
20 AWG OR 0.50mm2	0.95+/-0.05 [.037+/-0.002]	4.3
22 AWG OR 0.35mm2	0.90+/-0.05 [.035+/-0.002]	4.9



- 1 RECOMMENDED SPARE PARTS
- 2 GREASE BEARING SURFACES LIGHTLY
- 3. LUBRICATE DAILY PER THE APPLICATOR INSTRUCTION SHEET SUPPLIED WITH THE APPLICATOR.
- 4 APPLICATOR SPECIFIC DATA TO BE ENTERED INTO BLANK MEMORY CHIP AT ASSEMBLY. SEE BELOW FOR PART NUMBER:  
 MECHANICAL FEED WITH "SMART APPLICATOR" CONVERSION: 8-2151422-4  
 PNEUMATIC FEED WITH "SMART APPLICATOR" CONVERSION: 8-2151422-4  
 SERVO FEED WITH "FINE CRIMP HEIGHT ADJUST": 8-2151422-5  
 SERVO FEED WITH "NON-CRIMP HEIGHT ADJUST": 8-2151422-6
- 5. ADJUSTMENT OF THE STRIPPER MAY BE REQUIRED WHEN MOVING THE APPLICATOR BETWEEN BENCH AND LEADMAKER APPLICATIONS.
- 6 APPLY PART NUMBER 1-23419-5 LOCTITE TO THREADS OF ITEMS 62 & 180. APPLY PART NUMBER 2-23419-6 LOCTITE TO THREADS OF ITEMS 242. FOR -6 ONLY APPLY PART NUMBER 1-23419-5 LOCTITE TO THREADS OF ITEMS 37 & 180.
- 7 GREASE THREADS, GROOVE AND O-RING ON ITEMS 35 & 252.
- 8 MAGNET, ITEM 166 MUST BE ORIENTED CORRECTLY IN ORDER TO PROPERLY ACTUATE THE COUNTER.
- 9 CRIMP HEIGHT REFERENCE SETTING WAS THE SETTING USED WHEN THE APPLICATOR WAS QUALIFIED AT THE FACTORY. ADJUSTMENT MAY BE NECESSARY WHEN RUNNING APPLICATOR IN THE FIELD.
- 10 SPARE FEED CAM STORAGE LOCATION REFER TO INSTRUCTION SHEET FOR ADDITIONAL INFORMATION.
- 11 TO CONVERT THE APPLICATOR TO A NON-CARRIER CUTTING STYLE, REMOVE ITEM 13 AND ATTACH TO THE LOCATION ON THE BACK SIDE OF THE HOUSING. REFER TO INSTRUCTION SHEET FOR ADDITIONAL INFORMATION.
- 12 WHEN ASSEMBLING A NON CRIMP HEIGHT ADJUST APPLICATOR (-6) USE SHIMS FROM ITEM 260 TO ACHIEVE A NOMINAL SHIM HEIGHT OF 4.85.

**\*WARNING**  
 ON INSTALLATION, SET WIRE DISC, ITEM 40 TO LARGEST WIRE SIZE SETTING. USE OF SETTINGS BELOW MINIMUM REQUIRED CRIMP HEIGHT SETTING WILL CAUSE DAMAGE TO CRIMP TOOLING.

-	-	1	-	-	-	2119957-2	APPLICATOR SHIM PACK	260
-	1	-	1	1	1	8-21084-0	O-RING, .676 ID, .070 DIA. MAT.	252
-	-	-	-	1	-	2119640-1	PUSH ROD, AIR FEED	250
-	-	-	-	1	-	2079988-1	BUSHING, LCH5-12, MISUMI	249
-	-	-	-	1	-	2119641-1	FEED CAM, AIR FEED	248
-	1	-	1	1	1	2119798-1	DETENT PIN	247
-	1	-	1	1	1	1-22279-3	SPRING, COMPRESSION	246
-	-	1	-	-	-	2119758-1	RAM, AMP STYLE, SIDE FEED, NON-ADJ.	245
-77	-7	-6	-5	-2	-1	PART NO	DESCRIPTION	ITEM NO

**ATLANTIC VERSION**  
 Shown on sheets 1 of 4 & 2 of 4  
 (Pacific version shown on sheets 3 of 4 & 4 of 4)

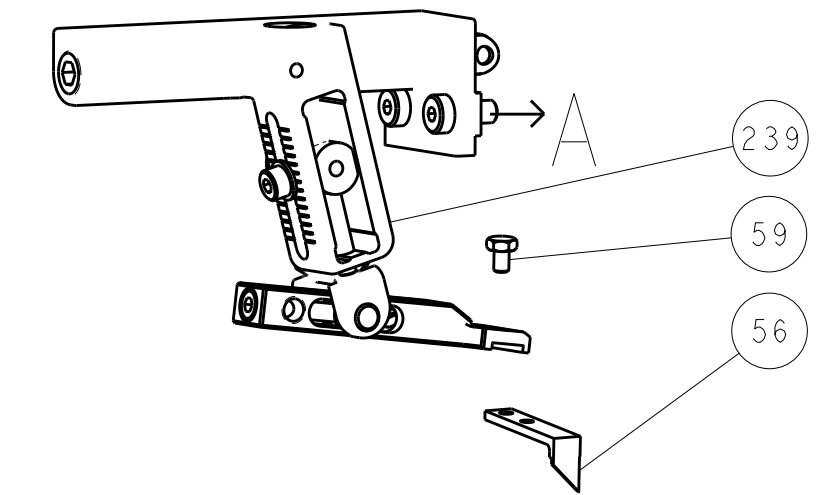
SET UP GAUGE	LOC	DIST	REVISIONS					
2119599-1	A	66	P	LTN	DESCRIPTION	DATE	OWN	APVD
			A		RELEASED	22AUG2014	KH	SX

-	1	1	1	1	1	2119082-4	CAM, SNAIL, INSULATION ADJUSTMENT	244
-	1	1	1	1	1	2079764-1	WASHER, WAVE SPRING, CREST-TO-CREST	243
-	1	1	1	1	1	2119083-1	RETAINER, INSULATION DIAL	242
-	1	1	1	1	1	7-18023-7	SCR, SKT HD CAP M3 X 4.0	241
-	-	2	2	-	-	2168400-6	SHCS, LOW HEAD, RoHS, M5 X 16	240
-	-	-	-	-	1	2119580-1	MECHANICAL FEED ASSEMBLY	239
-	-	-	-	-	1	2063440-1	AIR FEED MODULE	238
-	-	1	1	-	-	2119740-2	TAG, IDENTIFICATION	213
-	-	1	1	-	-	1901094-3	SPACER, FEEDER	198
-	1	1	1	1	1	1-1752354-7	STANDOFF, HOLD-DOWN	180
-	1	1	1	1	1	993111-1	PIN, SLOTTED SPRING 3.0 X 20.0	177
-	1	1	1	1	1	8-22280-7	SPRING, COMPRESSION	176
-	1	1	1	1	1	1752353-2	GUIDE PIN, HOLDDOWN	175
-	1	1	1	1	1	1901680-2	GUIDE PIN, HOLDDOWN	174
-	-	-	-	2	-	21045-3	RING, RETAIN, EXTERN, 3/16 CRESCENT	172
-	1	1	1	1	1	994969-1	MAGNET, RARE EARTH HIGH ENERGY	166
-	REF	REF	REF	REF	REF	994970-2	COUNTER, MAGNETIC	164
-	-	-	-	1	-	240638-1	SPRING, FEED FINGER	163
-	-	-	-	1	-	3-23627-7	PIN, RETAIN, GRVD, 3/16 X .854	137
-	-	-	-	1	-	2119799-1	HOLDER, FEED FINGER, AF	136
-	-	REF	REF	-	-	SEE NOTE 4	MEMORY CHIP, PROGRAMMED	135
-	-	1	1	-	-	1633743-1	SERVO FEED LATCH ASM	133
-	1	1	1	1	1	1-18028-2	WASHER, FLAT, REG M4	119
-	-	REF	REF	-	-	2119944-1	FEED FINGER ASSEMBLY, SF	117
-	1	1	1	1	1	455888-6	SPACER, CRIMPER	82
-	1	1	1	1	1	5-547505-2	SPRING, COMPRESSION	77
-	1	1	1	1	1	854769-4	HOLDER, INS	74
-	1	1	1	1	1	2119956-1	DOCUMENTATION PACKAGE	71
-	1	-	-	1	1	2119740-1	TAG, IDENTIFICATION	67
-	2	2	2	2	2	2168078-1	SCREW, DRIVE, RH, RoHS, 2 x .188	66
-	1	-	1	1	1	2119793-1	LIMITER, ADJUSTMENT BOLT	63
-	3	-	3	3	3	992763-5	SCR, SET, SOC, CONE POINT, M3 x 4.0	62
-	1	1	1	1	1	2079383-4	SCR, BHSC, RoHS (M4 X 8)	60
-	-	-	-	1	1	5-18022-5	SCR, HEX HD CAP, M4 X 6.0	59
-	1	1	1	1	1	21028-2	PIN, SLOTTED SPRING .062 X .250	58
-	-	-	-	1	1	1338685-1	PAWL, FEED	56
-	4	4	4	4	4	2168400-1	SHCS, LOW HEAD, RoHS, M4 X 12	54
-	1	1	1	1	1	1-5018030-0	NUT, HEX, REG, RoHS, M3.5	52
-	1	1	1	1	1	1901681-1	HOLDDOWN, TERMINAL	51
-	-	-	-	1	2	18023-9	SCR, SKT HD CAP M4 X 6.0	49
-	-	-	-	-	1	2119652-1	FEED CAM, PRE FEED	48
-	-	-	-	-	1	2119653-1	FEED CAM, POST FEED	47
-	1	1	1	1	1	2119656-9	APPLICATOR BASIC ASSEMBLY, SF	46
-	1	-	1	1	1	2119370-1	RAM, AMP STYLE, SIDE FEED	44
-	1	1	1	1	1	2079383-7	SCR, BHSC, RoHS (M8 X 25)	41
-	1	-	1	1	1	2119645-1	DISC, NUMBERED FA WIRE ADJUSTMENT	40
-	1	-	1	1	1	2119957-1	APPLICATOR SHIM PACK	39
-	1	1	1	1	1	1-2119644-4	RAM WASHER, PRECISION	38
-	1	1	1	1	1	2119085-1	FA HEAD, ATLANTIC STYLE	37
-	1	-	1	1	1	2119092-1	BOLT, ADJUSTMENT	35
-	1	1	1	1	1	1752356-3	SUPPORT, TERMINAL	34
-	2	2	2	2	2	2079383-5	SCR, BHSC, RoHS (M4 X 20)	33
-	1	1	1	1	1	2161328-1	HEX HEAD, FLANGED, M5 x 8mm LONG	32
-	1	1	1	1	1	1320908-6	SPACER, STRIP GUIDE	30
-	1	1	1	1	1	2119959-2	ASSEMBLY, STRIP GUIDE	29
-	1	1	1	1	1	455888-3	SPACER, CRIMPER	28
-	1	1	1	1	1	1320928-2	STRIP GUIDE	24
-	1	1	1	1	1	2168083-2	SCR, SKT HD CAP, RoHS, M4 X 8.0	21
-	1	1	1	1	1	1-18028-2	WASHER, FLAT, REG M4	20
-	1	1	1	1	1	2119533-1	STRIPPER, SIDE FEED	19
-	1	1	1	1	1	2119806-1	INSERT, SHEAR	13
-	1	1	1	1	1	3-22280-3	SPRING, COMPRESSION	12
-	1	1	1	1	1	1-356885-4	STOP, SHEAR	11
-	1	1	1	1	1	2119805-1	SHEAR HOLDER, FRONT	10
-	1	1	1	1	1	1803095-1	FLOATING SHEAR, FRONT	9
-	1	1	1	1	1	6-1633139-7	ANVIL, COMBINATION	8
-	-	-	-	-	-	-	-	7
-	-	-	-	-	-	-	-	6
-	1	1	1	1	1	2119780-4	DEPRESSOR, SHEAR	5
-	1	1	1	1	1	1-238011-0	BLOCK, CRIMPER SPACER	4
-	1	1	1	1	1	1-1803019-5	CRIMPER, INSULATION O	3
-	1	1	1	1	1	455888-1	SPACER, CRIMPER	2
-	1	1	1	1	1	1333281-3	CRIMPER, WIRE PREMIUM	1
-77	-7	-6	-5	-2	-1	PART NO	DESCRIPTION	ITEM NO

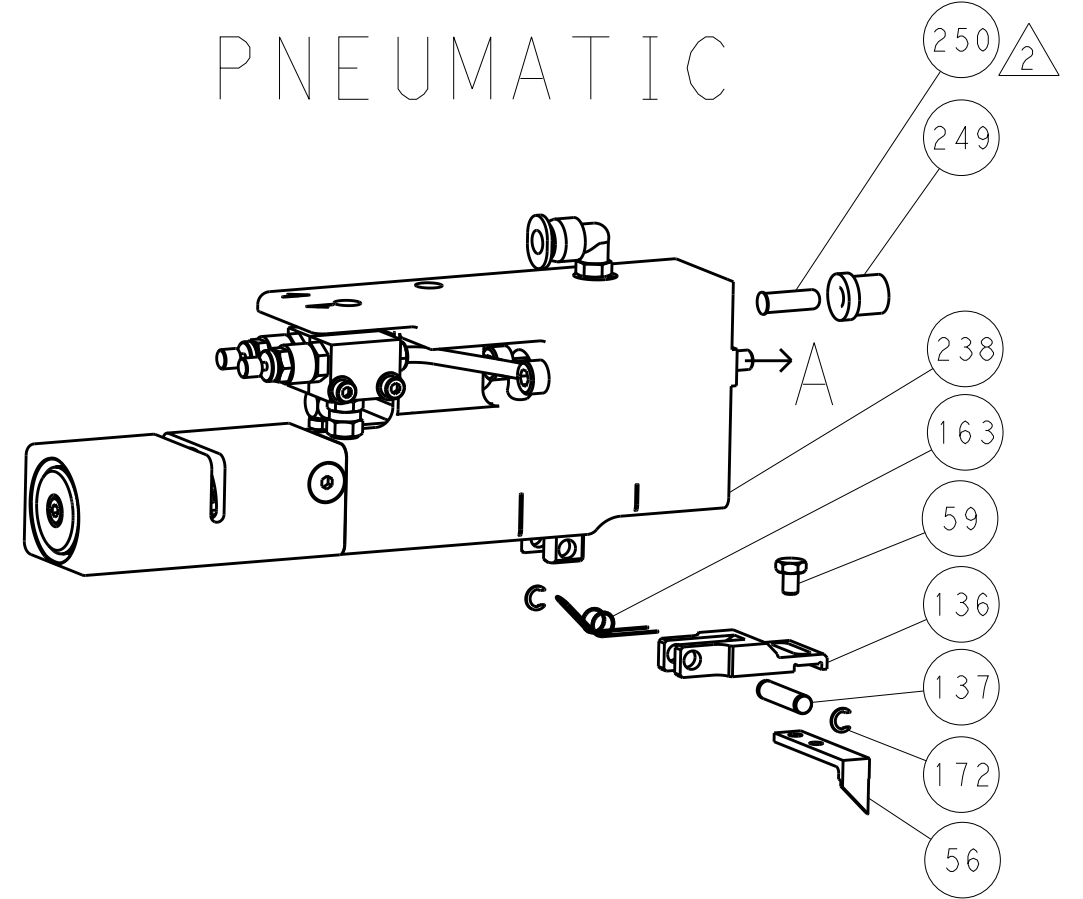
DIMENSIONS:		TOLERANCES UNLESS OTHERWISE SPECIFIED:		DWG		CHK		DATE	
mm	0 PLC ±.5	1 PLC ±.5	2 PLC ±.5	3 PLC ±.5	4 PLC ±.5	5 PLC ±.5	6 PLC ±.5	7 PLC ±.5	8 PLC ±.5
	ANGLES ±.0001								
MATERIAL	FINISH	WEIGHT	SCALE	1:2	SHEET	1	OF	4	REV
									A

LOC		DIST		REVISIONS				
A	66	P	LTN	DESCRIPTION	DATE	DMN	APVD	
-	-	-	-	SEE SHEET 1	-	-	-	

### FEED TYPE MECHANICAL



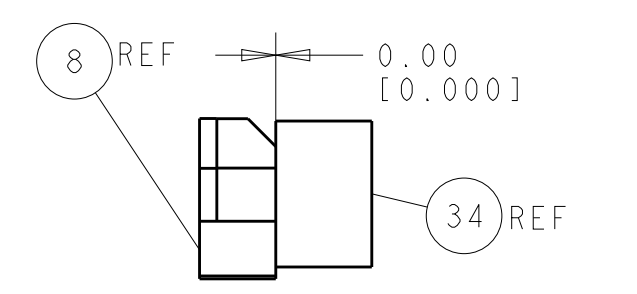
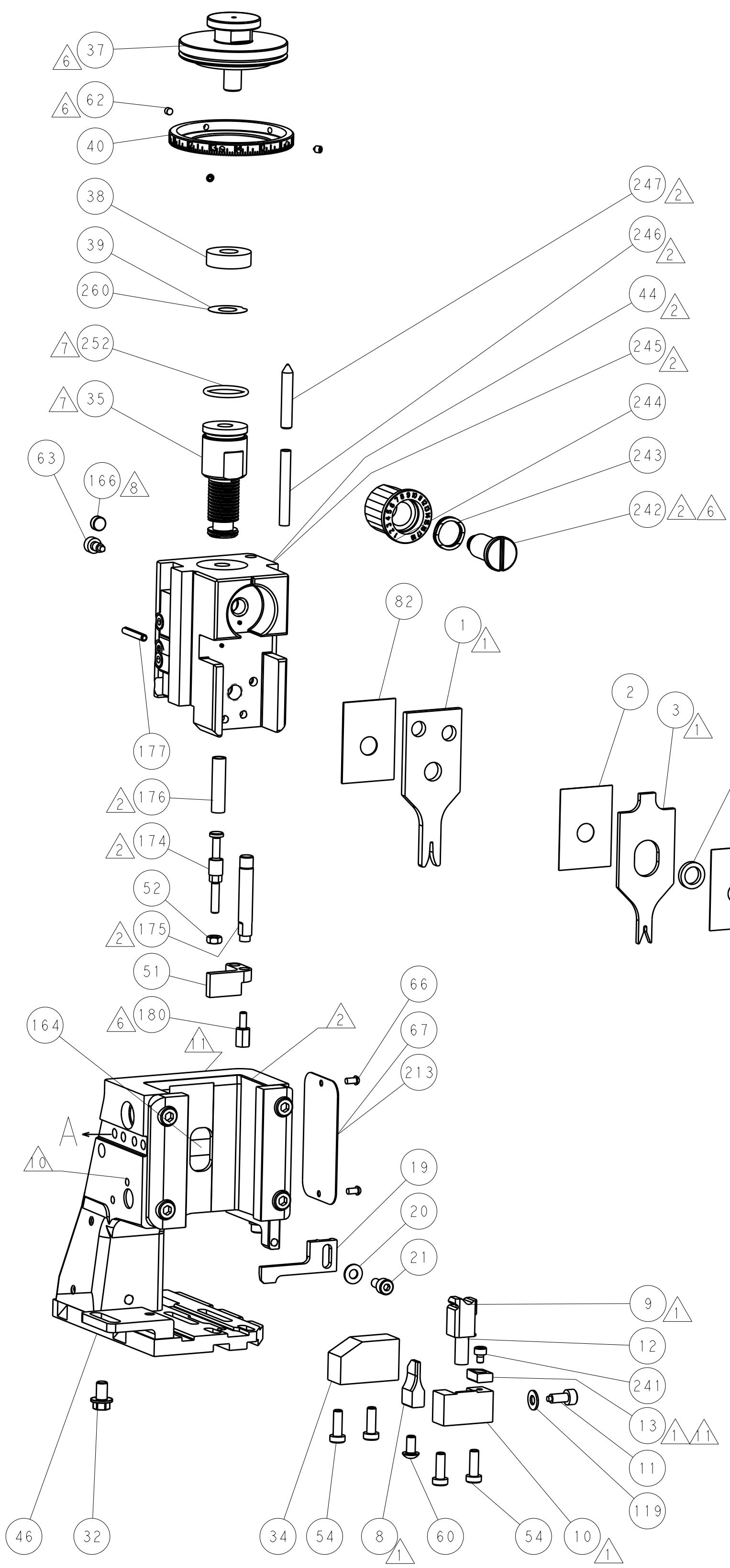
### PNEUMATIC



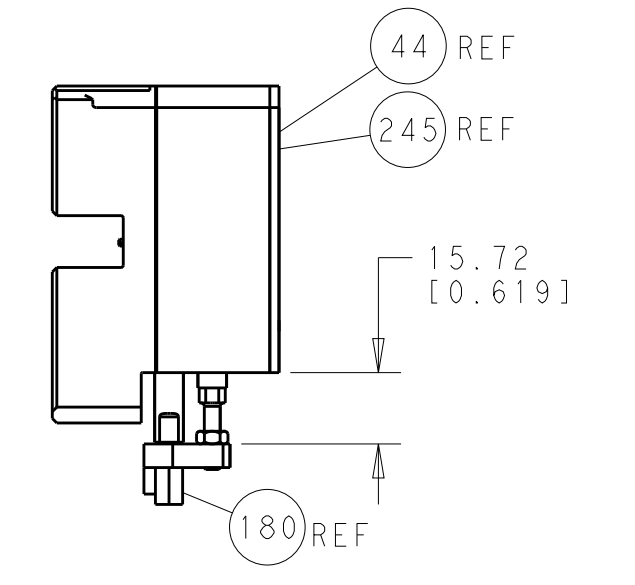
### SERVO LATCH PLATE



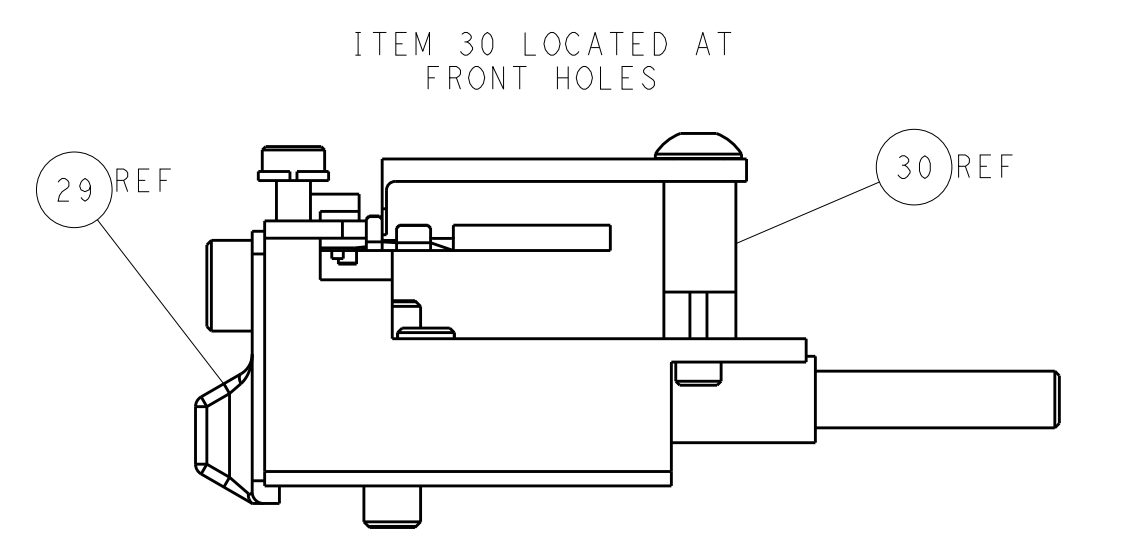
### CAM POSITIONS



TERMINAL SUPPORT LOCATION



HOLDDOWN SET-UP



ITEM 30 LOCATED AT FRONT HOLES

FEED TRACK POSITION GUIDE BY INSULATION BARREL

**ATLANTIC VERSION**  
 Shown on sheets 1 of 4 & 2 of 4  
 (Pacific version shown on sheets 3 of 4 & 4 of 4)

DIMENSIONS:		TOLERANCES UNLESS OTHERWISE SPECIFIED:		DMN	18DEC2012	TE Connectivity Harrisburg, PA 17105-3608	
mm	0 PLC ±0.5	1 PLC ±0.5	2 PLC ±0.13	CHK	18DEC2012		
	3 PLC ±0.013	4 PLC ±0.001	ANGLES ±0.0001	APVD	18DEC2012	NAME	
MATERIAL	FINISH	WEIGHT	Customer Accessible Production Drawing	SIZE	CAGE CODE	DRAWING NO	RESTRICTED TO
				A1	00779	©=2151422	
			SCALE	1:2	SHEET	2 of 4	REV
							A

PACIFIC VERSION TERMINATOR INTERFACE ADAPTER	PART NUMBER	REVISION	DESCRIPTION	FEED TYPE	APPLICATOR STYLE CONVERSION CHART						
					CONVERT TO	PART NUMBERS REQUIRED					
	2-2151422-1	A	FINE CRIMP HEIGHT ADJUST	MECHANICAL	PNEUMATIC FEED	2119950-1	1338685-1	5-18022-5	2119641-2	2119799-1	2063440-1
					SERVO LATCH PLATE	2119951-1	-	8-2151422-5	1901094-3	1-1752354-7	2168400-6 (QUANTITY 2)
					SMART APPLICATOR	2161326-1	-	8-2151422-4	-	-	-
	2-2151422-2	A	FINE CRIMP HEIGHT ADJUST	PNEUMATIC	MECHANICAL FEED	2119949-1	1338685-1	5-18022-5	2119653-2	-	-
					SERVO LATCH PLATE	2119951-1	-	8-2151422-5	1901094-3	1-1752354-7	2168400-6 (QUANTITY 2)
					SMART APPLICATOR	2161326-1	-	8-2151422-4	-	-	-
	2-2151422-5	A	FINE CRIMP HEIGHT ADJUST	SERVO LATCH PLATE	MECHANICAL FEED	2119949-1	1338685-1	5-18022-5	2119653-2	-	-
					PNEUMATIC FEED	2119950-1	1338685-1	5-18022-5	2119641-2	2119799-1	2063440-1
	2-2151422-7	A	FINE CRIMP HEIGHT ADJUST	NONE	-	-	-	-	-	-	-
	7-2151422-7	A	CRIMP TOOLING KIT	-	-	-	-	-	-	-	-

APPLICATOR DATA		
CRIMP	SIZE	TYPE
WIRE	1.35 mm [.053]	F
INSUL	1.55 mm [.061]	O
APPLICATOR INSTRUCTIONS 408-10389		

TERMINAL DATA: YAZAKI TERMINAL YAZAKI CRIMP SPECIFICATION			
TERMINAL NAME: KAIZEN 0.64 TERMINAL MALE			
WIRE STRIP LENGTH		INSULATION DIAMETER RANGE	
4.50-5.00 mm [1.77-.197 IN]		Ø1.50-1.85 mm [.059-.073 IN]	
TERMINAL APPLICATION SPECIFICATION		YAZAKI Rev WA1791	
TERMINALS APPLIED			
TE TERMINAL	YAZAKI TERMINAL	TE TERMINAL	YAZAKI TERMINAL
1642948-1	7114-4618-02	1642772-1	7116-4618-02
1949674-1	7116-5231-08		

WIRE SIZE	CRIMP HEIGHT mm [INCH]	CRIMP HEIGHT REFERENCE SETTING
20 AWG OR 0.50mm <sup>2</sup>	0.95+/-0.05 [.037+/-0.002]	4.3
22 AWG OR 0.35mm <sup>2</sup>	0.90+/-0.05 [.035+/-0.002]	4.9

- RECOMMENDED SPARE PARTS
- GREASE BEARING SURFACES LIGHTLY
- 3. LUBRICATE DAILY PER THE APPLICATOR INSTRUCTION SHEET SUPPLIED WITH THE APPLICATOR.
- APPLICATOR SPECIFIC DATA TO BE ENTERED INTO BLANK MEMORY CHIP AT ASSEMBLY. SEE BELOW FOR PART NUMBER:  
 MECHANICAL FEED WITH "SMART APPLICATOR" CONVERSION: 8-2151422-4  
 PNEUMATIC FEED WITH "SMART APPLICATOR" CONVERSION: 8-2151422-4  
 SERVO FEED WITH "FINE CRIMP HEIGHT ADJUST": 8-2151422-5
- 5. ADJUSTMENT OF THE STRIPPER MAY BE REQUIRED WHEN MOVING THE APPLICATOR BETWEEN BENCH AND LEADMAKER APPLICATIONS.
- APPLY PART NUMBER 1-23419-5 LOCTITE TO THREADS OF ITEMS 62 & 180. APPLY PART NUMBER 2-23419-6 LOCTITE TO THREADS OF ITEMS 242.
- GREASE THREADS, GROOVE AND O-RING ON ITEMS 139 & 152.
- MAGNET MUST BE ORIENTED CORRECTLY IN ORDER TO PROPERLY ACTUATE THE COUNTER.
- CRIMP HEIGHT REFERENCE SETTING WAS THE SETTING USED WHEN THE APPLICATOR WAS QUALIFIED AT THE FACTORY. ADJUSTMENT MAY BE NECESSARY WHEN RUNNING APPLICATOR IN THE FIELD.
- SPARE FEED CAM STORAGE LOCATION REFER TO INSTRUCTION SHEET FOR ADDITIONAL INFORMATION.
- TO CONVERT THE APPLICATOR TO A NON-CARRIER CUTTING STYLE, REMOVE ITEM 13 AND ATTACH TO THE LOCATION ON BACK SIDE OF THE HOUSING. REFER TO INSTRUCTION SHEET FOR ADDITIONAL INFORMATION.

**\*WARNING**  
 ON INSTALLATION, SET WIRE DISC, ITEM 40 TO LARGEST WIRE SIZE SETTING. USE OF SETTINGS BELOW MINIMUM REQUIRED CRIMP HEIGHT SETTING WILL CAUSE DAMAGE TO CRIMP TOOLING.

-	1	1	1	1	2119782-1	FINE ADJUST HEAD ASM, PACIFIC STYLE	251
-	-	-	1	-	2119640-1	PUSH ROD, AIR FEED	250
-	-	-	1	-	2079988-1	BUSHING, LCH5-12, MISUMI	249
-	1	1	1	1	1-22279-3	SPRING, COMPRESSION	246
-	1	1	1	1	2119082-4	CAM, SNAIL, INSULATION ADJUSTMENT	244
-	1	1	1	1	2079764-1	WASHER, WAVE SPRING, CREST-TO-CREST	243
-77	-27	-25	-22	-21	PART NO	DESCRIPTION	ITEM NO

**PACIFIC VERSION**  
 Shown on sheets 3 of 4 & 4 of 4  
 (Atlantic version shown on sheets 1 of 4 & 2 of 4)

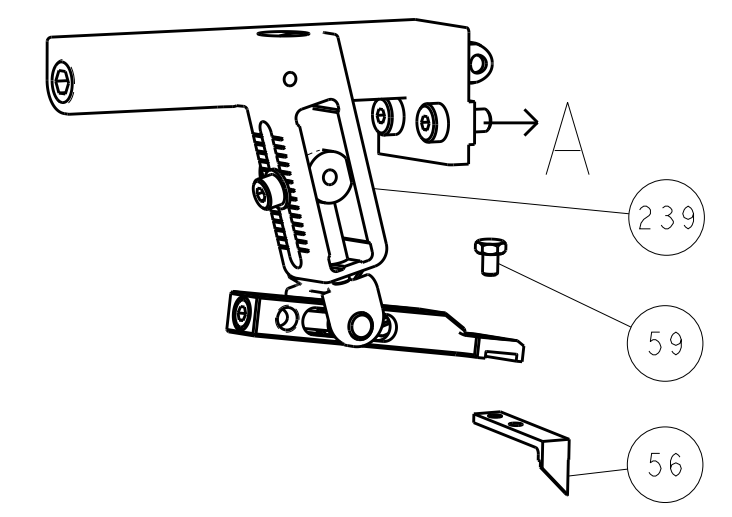
SET UP GAUGE	LOC	DIST	REVISIONS					
2119599-1	A	66	P	L	M	DATE	OWN	APVD
			-	-	-	SEE SHEET 1	-	-

	-	1	1	1	1	2119083-1	RETAINER, INSULATION DIAL	242	
	-	1	1	1	1	7-18023-7	SCR, SKT HD CAP M3 X 4.0	241	
	-	-	2	-	-	2168400-6	SHCS, LOW HEAD, RoHS, M5 X 16	240	
	-	-	-	-	1	2119580-1	MECHANICAL FEED ASSEMBLY	239	
	-	-	-	1	-	2063440-1	AIR FEED MODULE	238	
	-	-	1	-	-	2119740-2	TAG, IDENTIFICATION	213	
	-	-	1	-	-	1901094-3	SPACER, FEEDER	198	
	-	1	1	1	1	1-1752354-7	STANDOFF, HOLD-DOWN	180	
	-	1	1	1	1	993111-1	PIN, SLOTTED SPRING 3.0 X 20.0	177	
	-	1	1	1	1	8-22280-7	SPRING, COMPRESSION	176	
	-	1	1	1	1	1752353-2	GUIDE PIN, HOLDDOWN	175	
	-	1	1	1	1	1901680-2	GUIDE PIN, HOLDDOWN	174	
	-	-	-	2	-	21045-3	RING, RETAIN, EXTERN, 3/16 CRESCENT	172	
	-	1	1	1	1	994969-1	MAGNET, RARE EARTH HIGH ENERGY	166	
	-	REF	REF	REF	REF	994970-2	COUNTER, MAGNETIC	164	
	-	-	-	1	-	240638-1	SPRING, FEED FINGER	163	
	-	1	1	1	1	8-21084-1	O-RING, .801 ID, .070 DIA. MAT.	152	
	-	-	-	1	-	2119641-2	FEED CAM, AIR FEED	151	
	-	1	1	1	1	2119798-2	DETENT PIN	145	
	-	1	1	1	1	2079383-8	SCR, BHSC, RoHS (M4 X 16)	144	
	-	4	4	4	4	2168400-5	SHCS, LOW HEAD, RoHS, M4 X 20	143	
	-	-	-	-	1	2119653-2	FEED CAM, POST FEED	142	
	-	1	1	1	1	1-2119656-0	APPLICATOR BASIC ASSEMBLY, SF	141	
	-	1	1	1	1	2119650-1	RAM, ASIAN STYLE, SIDE FEED	140	
	-	1	1	1	1	2119092-2	BOLT, ADJUSTMENT	139	
	-	-	-	1	-	3-23627-7	PIN, RETAIN, GRVD, 3/16 X .854	137	
	-	-	-	1	-	2119799-1	HOLDER, FEED FINGER, AF	136	
	-	-	REF	-	-	-	SEE NOTE 4	MEMORY CHIP, PROGRAMMED	135
	-	-	1	-	-	1633743-1	SERVO FEED LATCH ASM	133	
	-	1	1	1	1	1-18028-2	WASHER, FLAT, REG M4	119	
	-	-	REF	-	-	2119944-1	FEED FINGER ASSEMBLY, SF	117	
	-	1	1	1	1	455888-6	SPACER, CRIMPER	82	
	-	1	1	1	1	5-547505-2	SPRING, COMPRESSION	77	
	-	1	1	1	1	854769-4	HOLDER, INS	74	
	-	1	1	1	1	2119956-1	DOCUMENTATION PACKAGE	71	
	-	1	-	1	1	2119740-1	TAG, IDENTIFICATION	67	
	-	2	2	2	2	2168078-1	SCREW, DRIVE, RH, RoHS, 2 x .188	66	
	-	1	1	1	1	2119793-1	LIMITER, ADJUSTMENT BOLT	63	
	-	3	3	3	3	992763-5	SCR, SET, SOC, CONE POINT, M3 X 4.0	62	
	-	-	-	1	1	5-18022-5	SCR, HEX HD CAP, M4 X 6.0	59	
	-	1	1	1	1	21028-2	PIN, SLOTTED SPRING .062 X .250	58	
	-	-	-	1	1	1338685-1	PAWL, FEED	56	
	-	1	1	1	1	1-5018030-0	NUT, HEX, REG, RoHS, M3.5	52	
	-	1	1	1	1	1901681-1	HOLDDOWN, TERMINAL	51	
	-	-	-	1	2	18023-9	SCR, SKT HD CAP M4 X 6.0	49	
	-	-	-	-	1	2119652-1	FEED CAM, PRE FEED	48	
	-	1	1	1	1	2079383-7	SCR, BHSC, RoHS (M8 X 25)	41	
	-	1	1	1	1	2119645-1	DISC, NUMBERED FA WIRE ADJUSTMENT	40	
	-	1	1	1	1	2119957-1	APPLICATOR SHIM PACK	39	
	-	1	1	1	1	1-2119644-4	RAM WASHER, PRECISION	38	
	-	1	1	1	1	1752356-3	SUPPORT, TERMINAL	34	
	-	2	2	2	2	2079383-5	SCR, BHSC, RoHS (M4 X 20)	33	
	-	1	1	1	1	2161328-1	HEX HEAD, FLANGED, M5 X 8mm LONG	32	
	-	1	1	1	1	1320908-6	SPACER, STRIP GUIDE	30	
	-	1	1	1	1	2119959-2	ASSEMBLY, STRIP GUIDE	29	
	-	1	1	1	1	455888-3	SPACER, CRIMPER	28	
	-	1	1	1	1	1320928-2	STRIP GUIDE	24	
	-	1	1	1	1	2168083-2	SCR, SKT HD CAP, RoHS, M4 X 8.0	21	
	-	1	1	1	1	1-18028-2	WASHER, FLAT, REG M4	20	
	-	1	1	1	1	2119533-1	STRIPPER, SIDE FEED	19	
	-	1	1	1	1	2119806-1	INSERT, SHEAR	13	
	-	1	1	1	1	3-22280-3	SPRING, COMPRESSION	12	
	-	1	1	1	1	1-356885-4	STOP, SHEAR	11	
	-	1	1	1	1	2119805-1	SHEAR HOLDER, FRONT	10	
	-	1	1	1	1	1803095-1	FLOATING SHEAR, FRONT	9	
	1	1	1	1	1	6-1633139-7	ANVIL, COMBINATION	8	
	-	-	-	-	-	-	-	7	
	-	-	-	-	-	-	-	6	
	-	1	1	1	1	2119780-4	DEPRESSOR, SHEAR	5	
	-	1	1	1	1	1-238011-0	BLOCK, CRIMPER SPACER	4	
	1	1	1	1	1	1-1803019-5	CRIMPER, INSULATION O	3	
	-	1	1	1	1	455888-1	SPACER, CRIMPER	2	
	1	1	1	1	1	1333281-3	CRIMPER, WIRE PREMIUM	1	
	-77	-27	-25	-22	-21	PART NO	DESCRIPTION	ITEM NO	

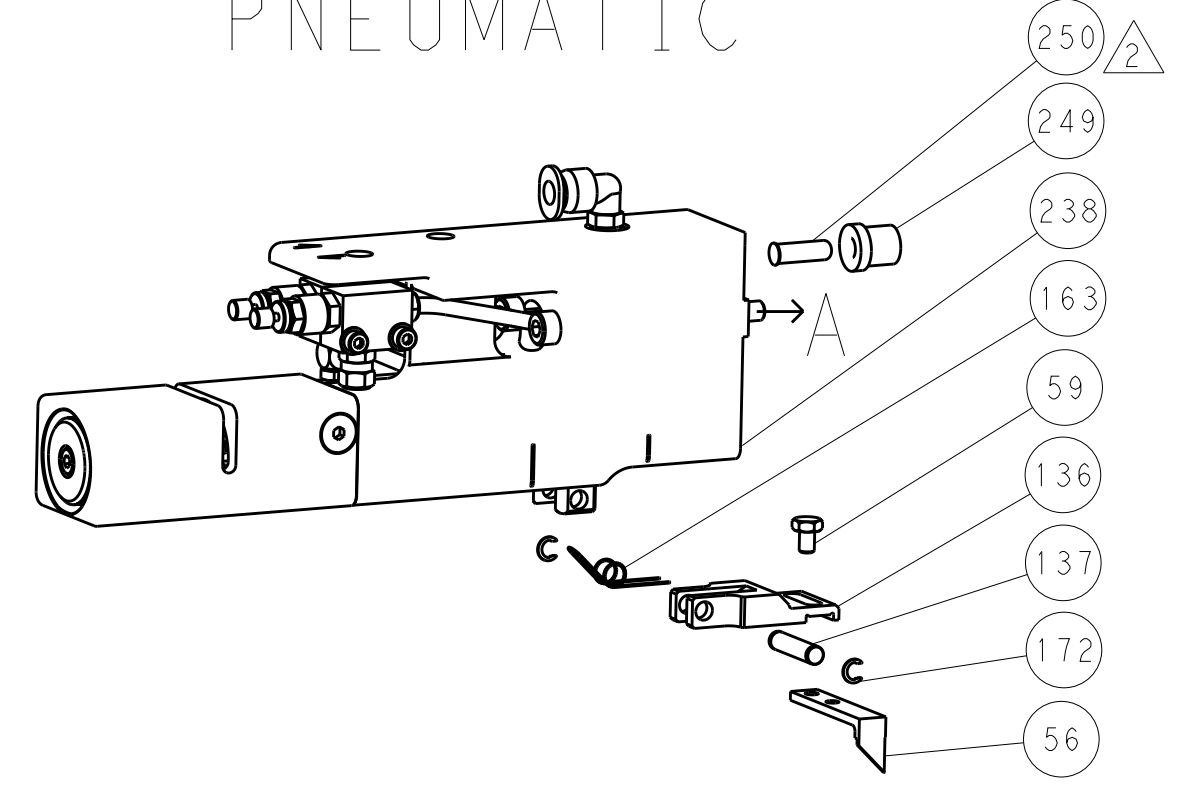
DIMENSIONS:		TOLERANCES UNLESS OTHERWISE SPECIFIED:		DATE	REV	DESCRIPTION
mm	0 PLC ±0.5	1 PLC ±0.13	2 PLC ±0.013	18DEC2012	1	CHK H. HUANG
	3 PLC ±0.001	4 PLC ANGLES ±0.0001		18DEC2012	2	S. XI
MATERIAL	FINISH	WEIGHT	SCALE	Customer Accessible Production Drawing		
			1:2	SHEET 3 OF 4		

LOC		DIST		REVISIONS			
A	66	P	LTM	DESCRIPTION	DATE	DWN	APVD
		-	-	SEE SHEET 1	-	-	-

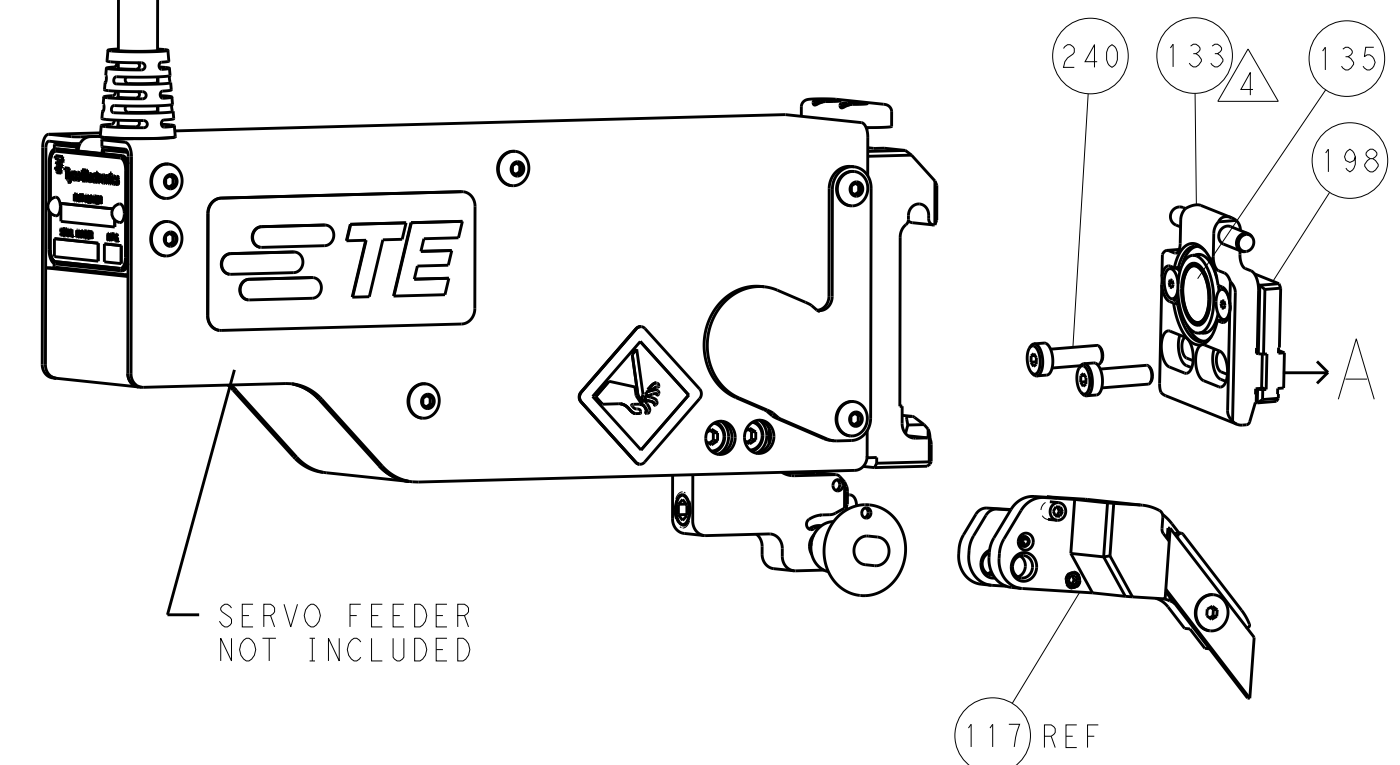
# FEED TYPE MECHANICAL



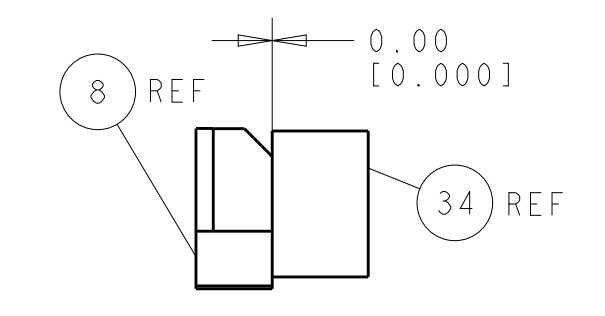
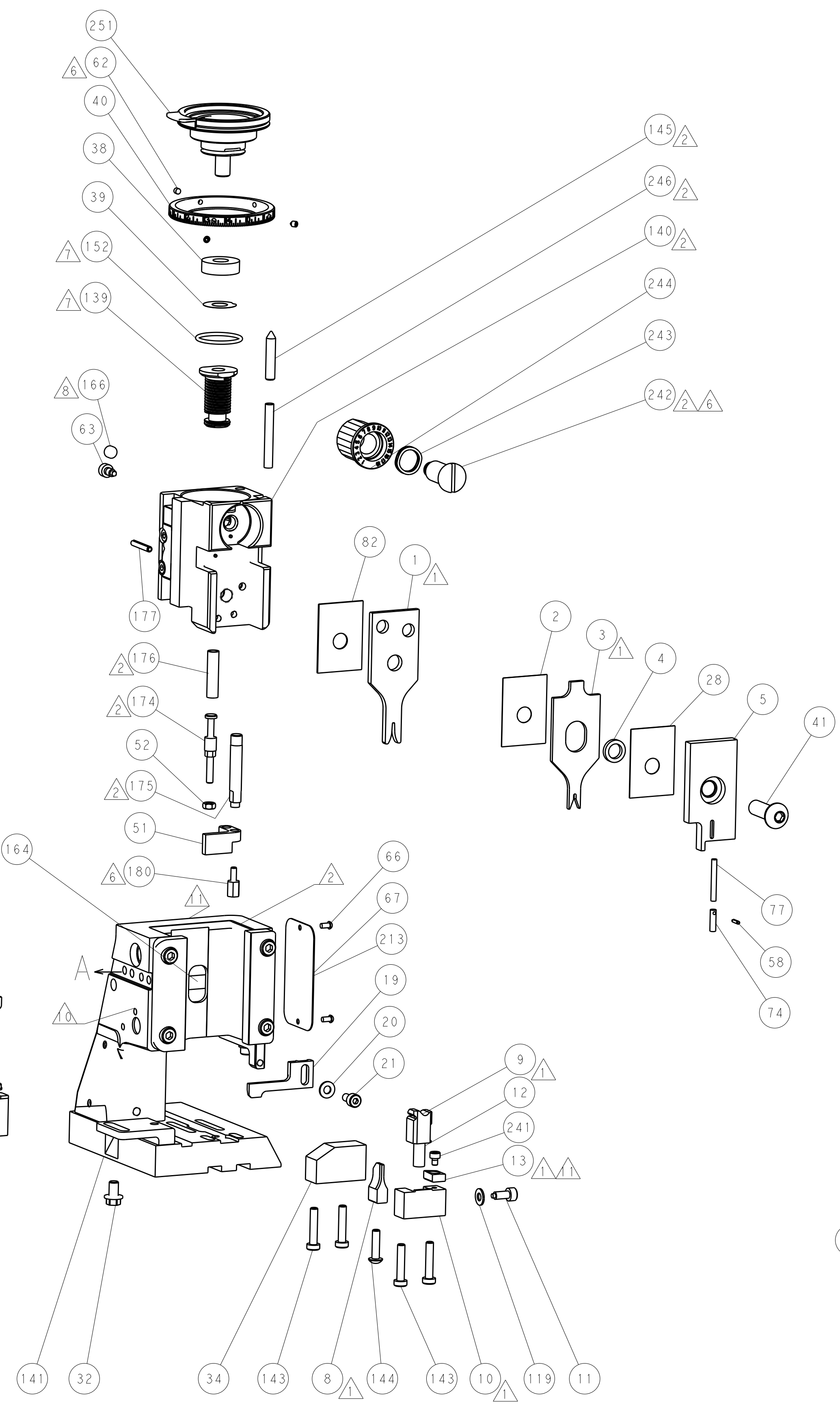
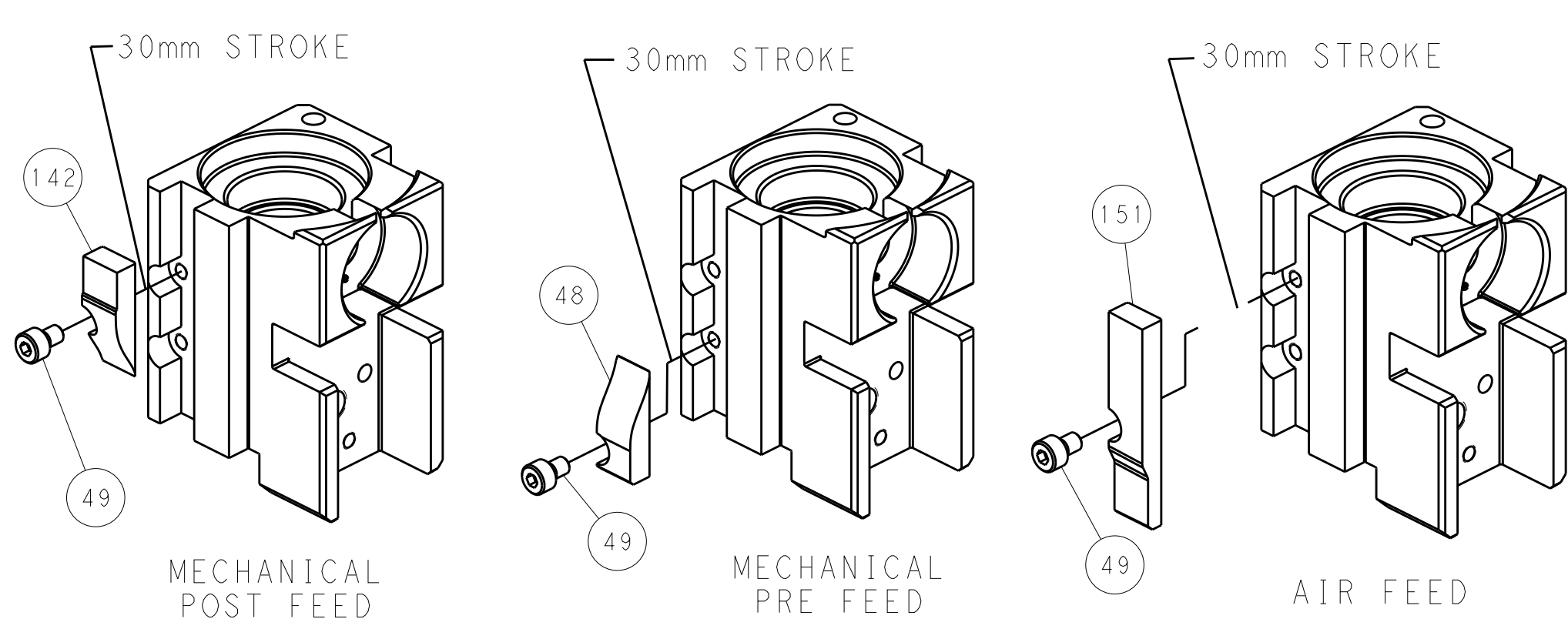
# PNEUMATIC



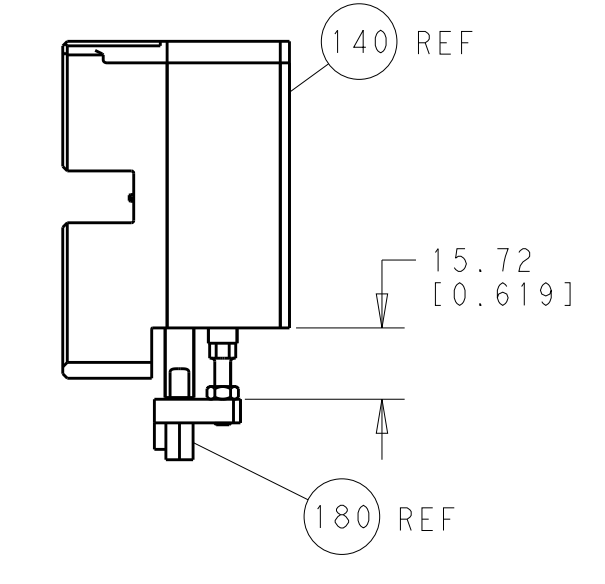
# SERVO LATCH PLATE



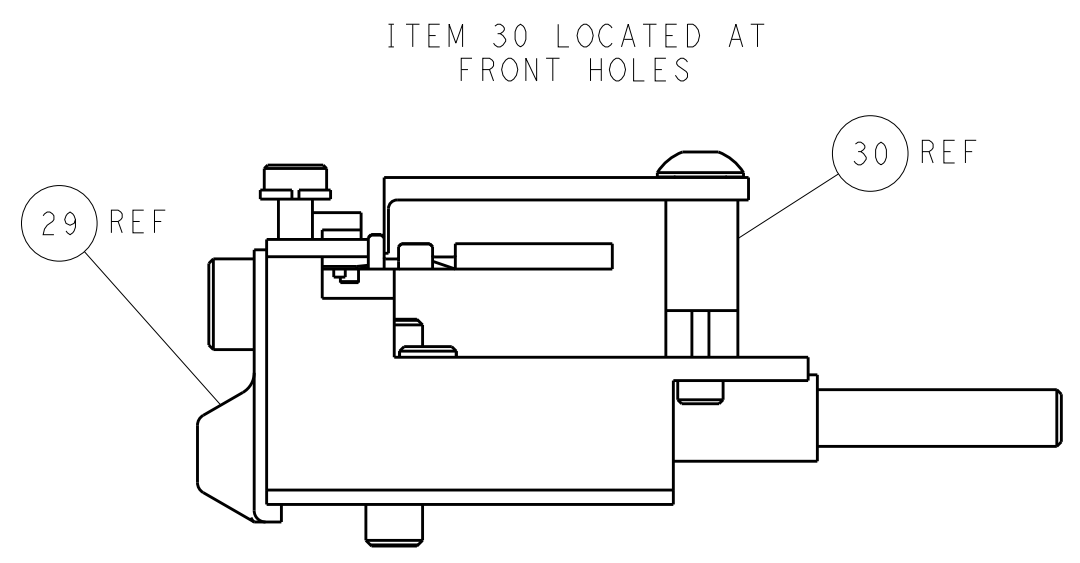
# CAM POSITIONS



TERMINAL SUPPORT LOCATION



HOLDDOWN SET-UP



FEED TRACK POSITION  
GUIDE BY INSULATION BARREL

**PACIFIC VERSION**  
 Shown on sheets 3 of 4 & 4 of 4  
 (Atlantic version shown on sheets 1 of 4 & 2 of 4)

DIMENSIONS:		TOLERANCES UNLESS OTHERWISE SPECIFIED:		DWN H. HUANG 18DEC2012	TE Connectivity Harrisburg, PA 17105-3608
mm	0 PLC ±0.5 1 PLC ±0.13 3 PLC ±0.013 4 PLC ±0.001	FINISH	APVD S. XI 18DEC2012	NAME Ocean Side Feed Applicator	
MATERIAL		SCALE	WEIGHT	SIZE A1	RESTRICTED TO
		1:2	Customer Accessible Production Drawing	CAGE CODE 00779	DRAWING NO. 2151422
		SHEET 4 OF 4		REV A	