

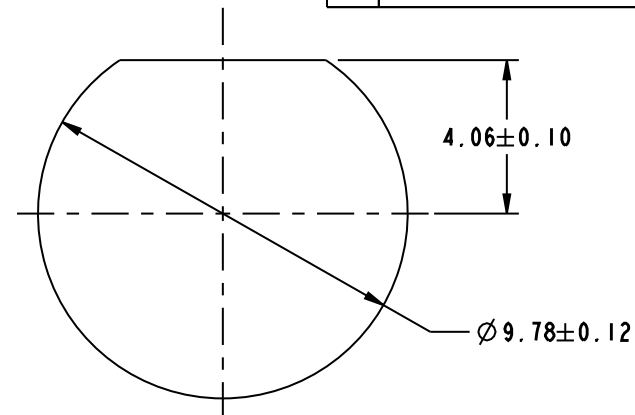
NOTES:

1. MATERIALS AND FINISHES:
 BODY, HEX NUT, LOCK WASHER - BRASS, NICKEL PLATING
 CONTACT - BERYLLIUM COPPER, GOLD PLATING
 INSULATOR - PTFE
2. ELECTRICAL:
 A. IMPEDANCE: 50 OHM
 B. FREQUENCY RANGE: DC - 2 GHz
 C. DIELECTRIC WITHSTANDING VOLTAGE: 1500 VRMS, MIN.
3. MECHANICAL:
 A. DURABILITY: 500 CYCLES MIN.
 B. TEMPERATURE RANGE: -65° C TO 165° C
4. PACKAGING:
 A. QUANTITY: SINGLE PACK
 B. MARKING: BAG TO BE MARKED
 "AMPHENOL RF, 31-80910, AND DATE CODE"

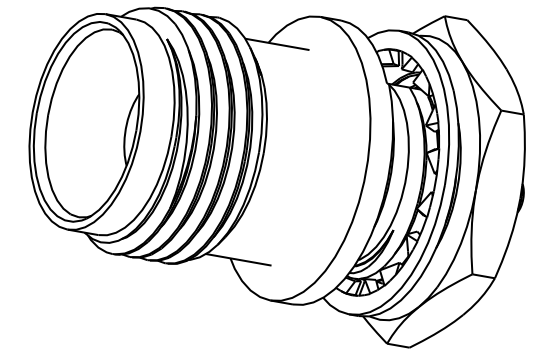
THIRD ANGLE PROJ.

REVISIONS

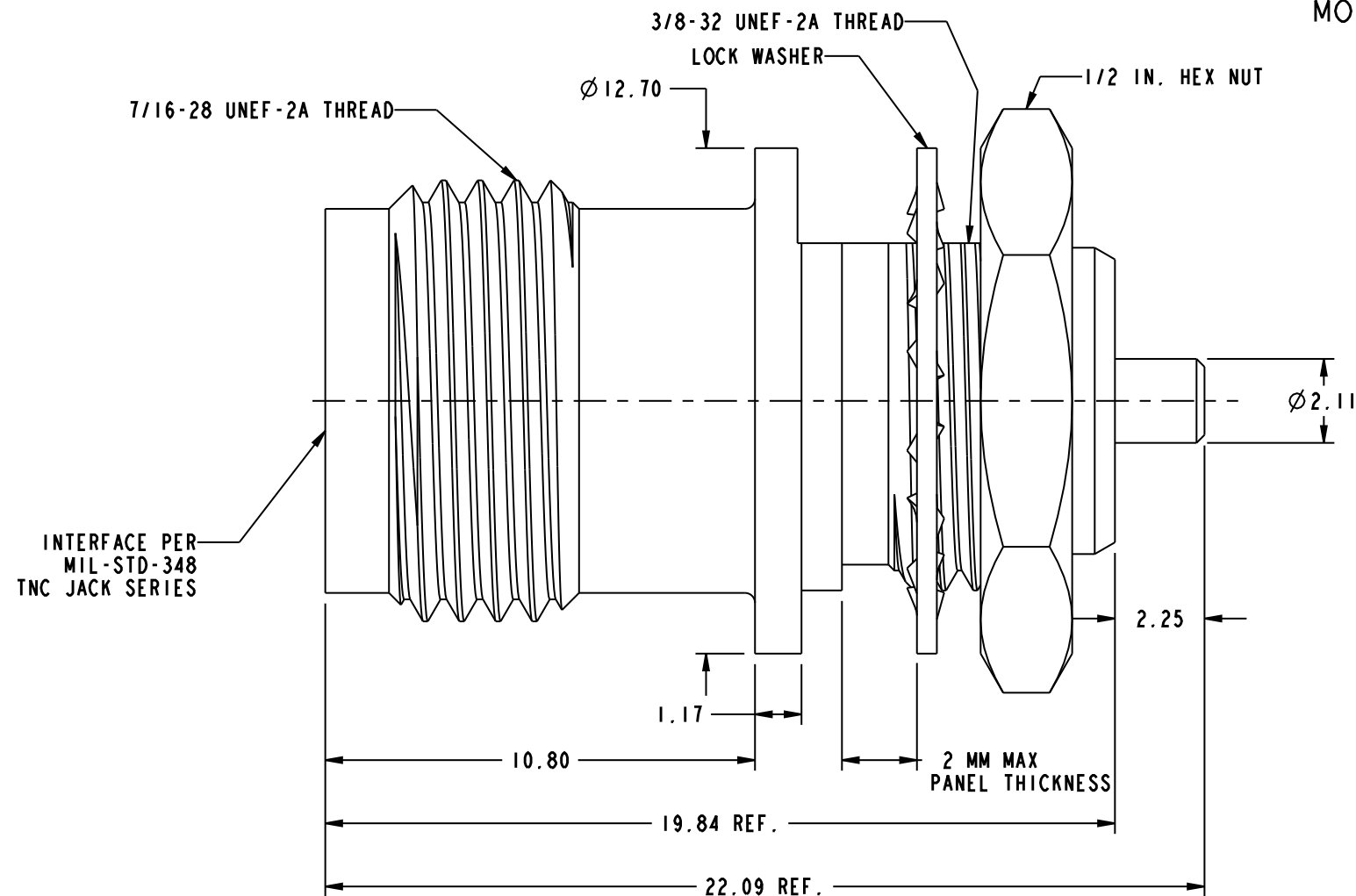
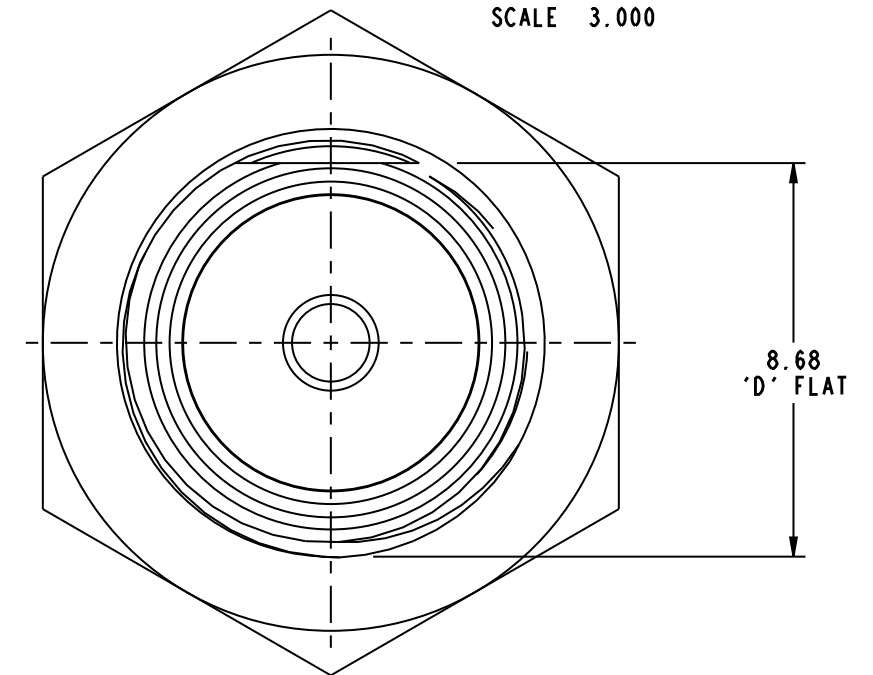
REV	DESCRIPTION	DATE	ECO	APPR
A	RELEASE TO MFG	17-Jun-09	47608	SH



RECOMMENDED MOUNTING HOLE



SCALE 3.000



CUSTOMER OUTLINE DRAWING

ALL OTHER SHEETS ARE FOR INTERNAL USE ONLY

UNLESS OTHERWISE SPECIFIED, DIMENSIONS ARE IN METRIC AND TOLERANCES ARE:
 0.5 - 6mm ±0.1mm 6 - 30mm ±0.2mm 30 - 120mm ±0.3mm ANGLES ±1°

NOTICE - These drawings, specifications, or other data (1) are, and remain the property of Amphenol Corp. (2) must be returned upon request; and (3) are confidential and not to be disclosed to any person other than those to whom they are given by Amphenol Corp. The furnishing of these drawings, specifications, or other data by Amphenol Corp., or to any other person to anyone for any purpose is not to be regarded by implication or otherwise in any manner licensing, granting rights to permitting such holder or any other person to manufacture, use or sell any product, process or design, patented or otherwise, that may in any way be related to or disclosed by said drawings, specifications, or other data.

MATERIAL SEE NOTES	DRAWN J. CHENG	DATE 17-Jun-09
REFERENCE EAR: 3546	ENGINEER R. RAJAN	DATE 20-May-09
CONFIGURATION LEVEL: Prototype	APPROVED S. HSIEH	DATE 17-Jun-09
FINISH	CAD FILE I:\TNC\31-80910	

TITLE TNC, STRAIGHT, JACK RECEPTACLE	SCALE: 6.0:1.0	SHEET 2 OF 2
DWG SIZE B	CODE ID 74868	REV A

Amphenol RF		
Danbury CT USA, Tainan, Taiwan, Shenzhen, China www.amphenolrf.com		
DRAWING NO. 31-80910		
ITEM NO. 31-80910		
PART NO. 31-80910		