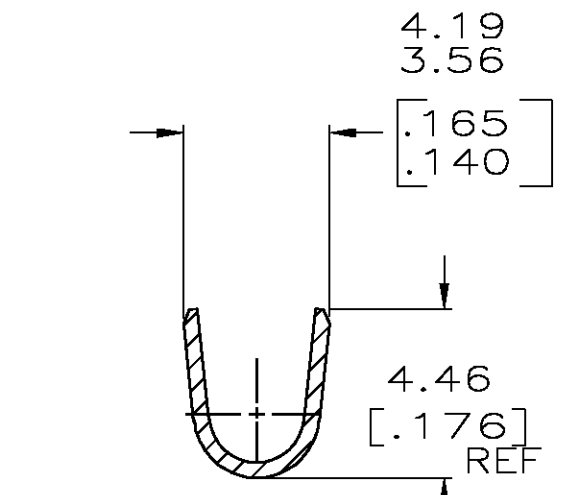
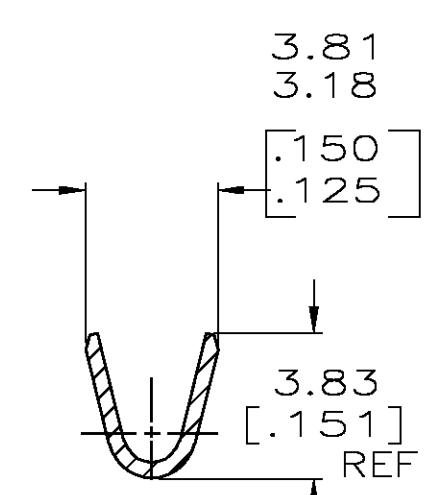
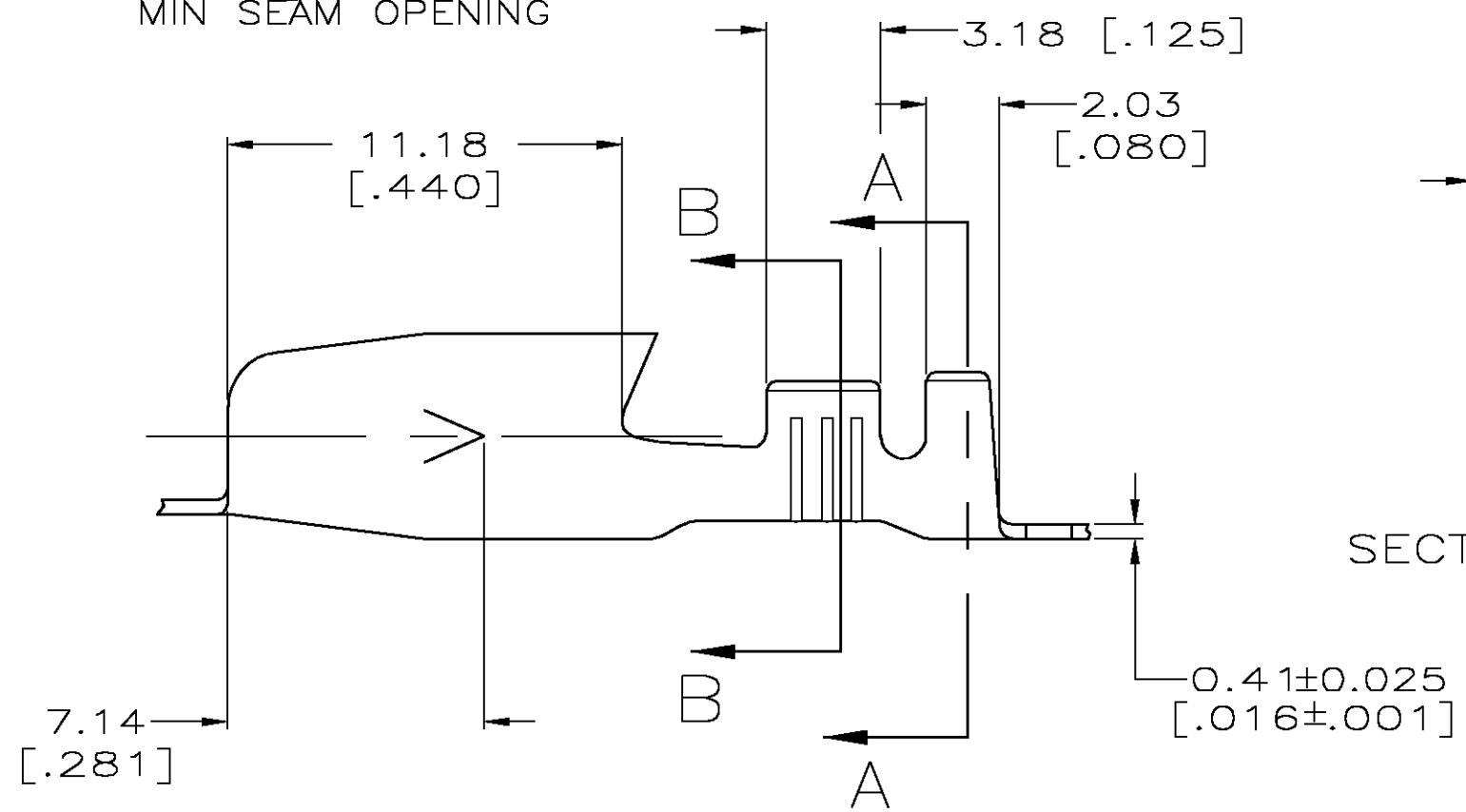
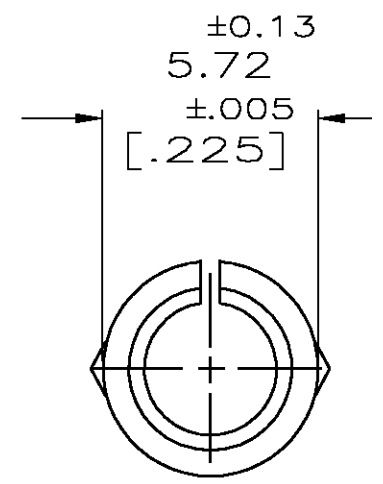
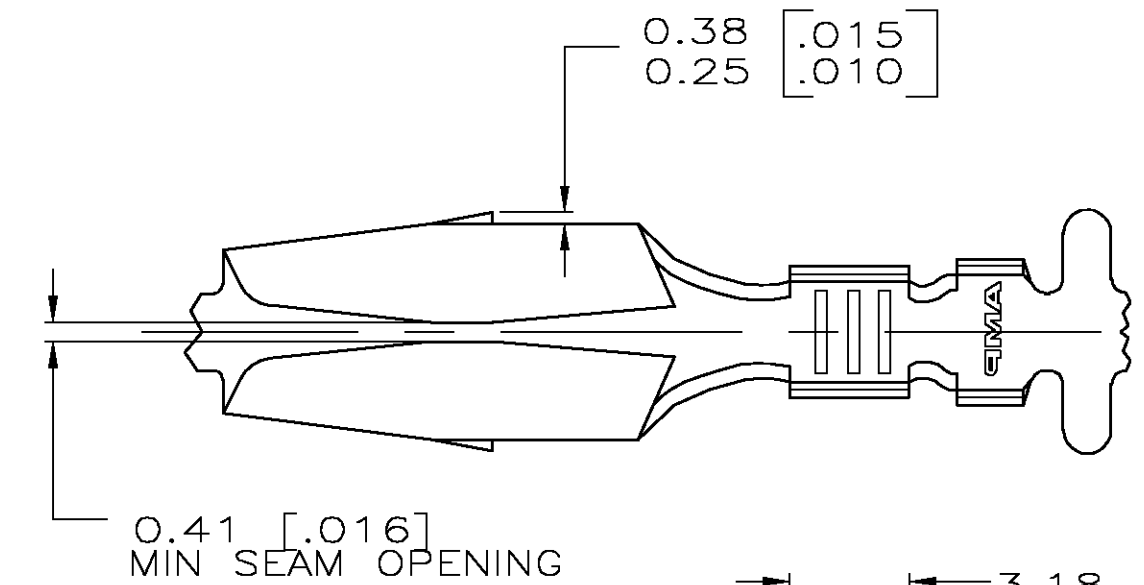


THIS DRAWING IS UNPUBLISHED. RELEASED FOR PUBLICATION  
 © COPYRIGHT BY TYCO ELECTRONICS CORPORATION. ALL RIGHTS RESERVED.

| LOC | DIST | REVISIONS   |                      |         |       |
|-----|------|-------------|----------------------|---------|-------|
| P   | LTR  | DESCRIPTION | DATE                 | DWN     | APVD  |
| AF  | 50   | F           | REV PER 0G3A-0617-04 | 06AUG04 | JR DD |

- CONTINUOUS STRIP ON REELS.
- WIRE SIZE [#18-#14 OR TWO #18'S] AWG.
- INSULATION RANGE IS 2.29-3.05 [.090-.120] DIA.



62757-1  
PART NO.

|   |  |                             |   |              |                    |                       |                    |
|---|--|-----------------------------|---|--------------|--------------------|-----------------------|--------------------|
| THIS DRAWING IS A CONTROLLED DOCUMENT.  |  | DWN<br>JR RUTH<br>14OCT99   | Tyco Electronics Corporation<br>Harrisburg, Pa 17105-3608 |              |                    |                       |                    |
| DIMENSIONS:<br>mm [INCHES]  |  | CHK<br>MS FEHER<br>14OCT99  |   |              |                    |                       |                    |
| TOLERANCES UNLESS OTHERWISE SPECIFIED:  |  | APVD<br>D DECKER<br>14OCT99 | NAME<br>PIN, SPECIAL, 5.72 [.225] DIA                     |              |                    |                       |                    |
| 0 PLC ± -<br>1 PLC ± -<br>2 PLC ± 0.38 [.015]<br>3 PLC ± -<br>4 PLC ± -<br>ANGLES ± - |  | PRODUCT SPEC<br>-           | -   |              |                    |                       |                    |
| MATERIAL<br>H04 BRASS   |  | FINISH<br>-                 | APPLICATION SPEC<br>-                                     | SIZE<br>A3   | CAGE CODE<br>00779 | DRAWING NO<br>C-62757 | RESTRICTED TO<br>- |
| CUSTOMER DRAWING  |  |                             | WEIGHT<br>-   | SCALE<br>5:1 | SHEET<br>1 OF 1    | REV<br>F              |                    |