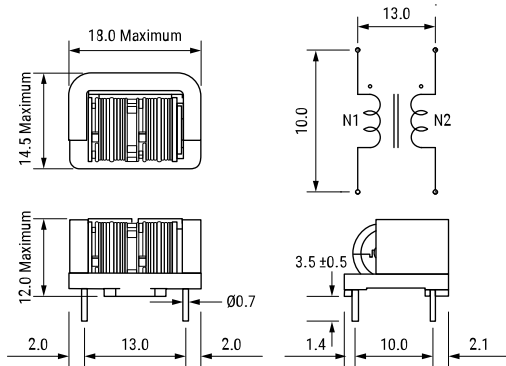


KEMET, SSRH7HS-M, Commercial Grade, 2300 uH



#### Dimensions

L	18mm MAX
T	14.5mm MAX
H	12mm MAX
S	10mm NOM
S1	13mm NOM
LL	3.5mm +/-0.5mm
F	0.7mm NOM

#### Packaging Specifications

Weight:	4.9 g
Packaging:	Bulk
Packaging Quantity:	600

#### General Information

Series:	SSRH7HS-M
Style:	Through-Hole Choke
Description:	Common Mode Filter, SSRH Coils, SSRH7HS-M Wide Range Impedance Type
RoHS:	Yes
Miscellaneous:	Temperature Rise Maximum: 50 K
Notes:	M17 Lot No.

#### Specifications

Inductance:	2.3 mH (10 kHz)
Temperature Range:	-25/+120C
Rated Temperature:	120C
Current:	1.7 Amps
Voltage AC:	250 VAC
Withstanding Voltage:	2400 VDC