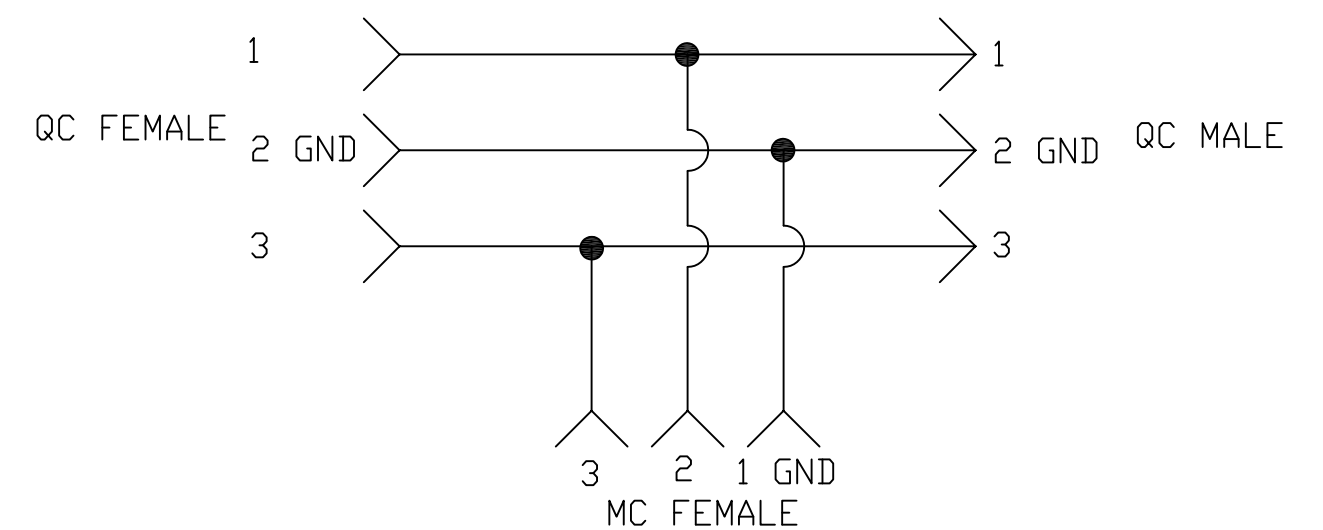
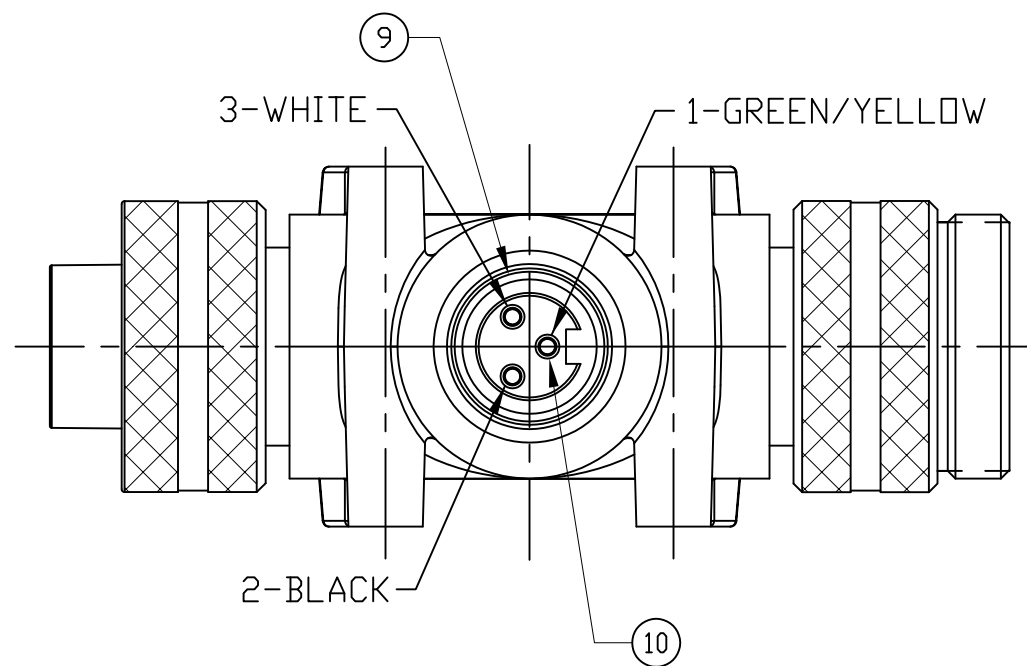
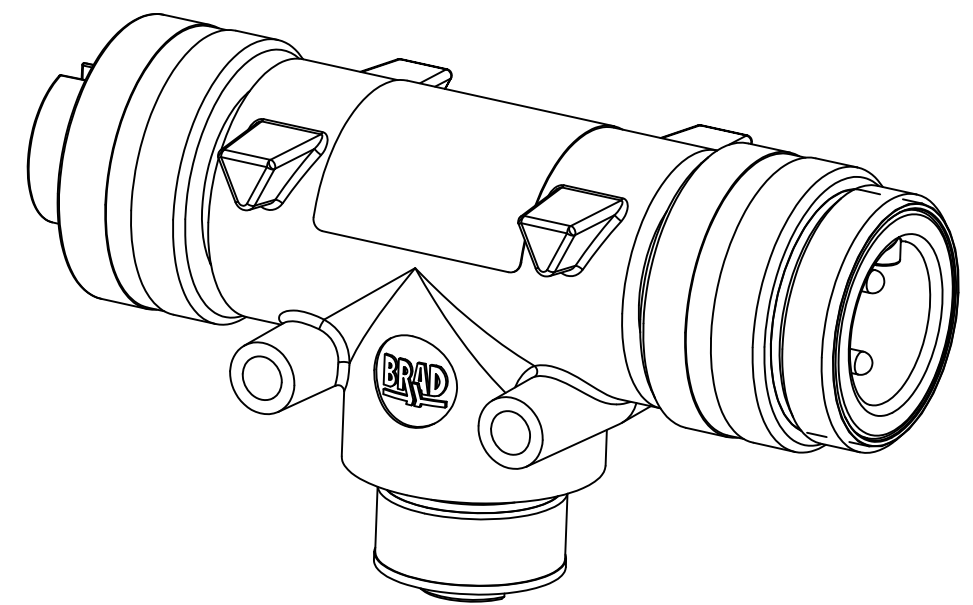
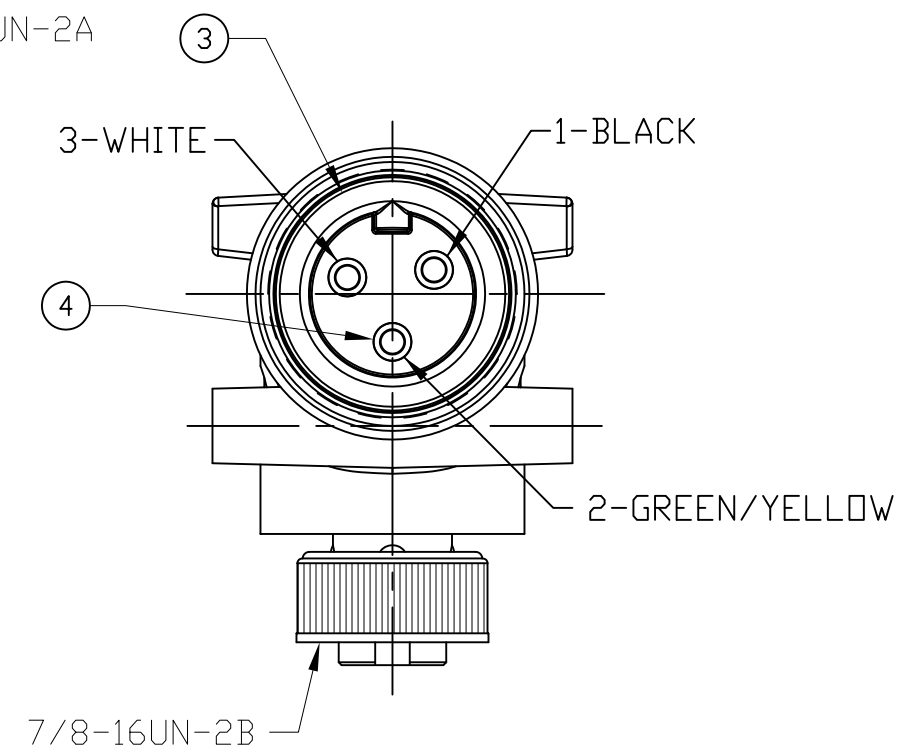
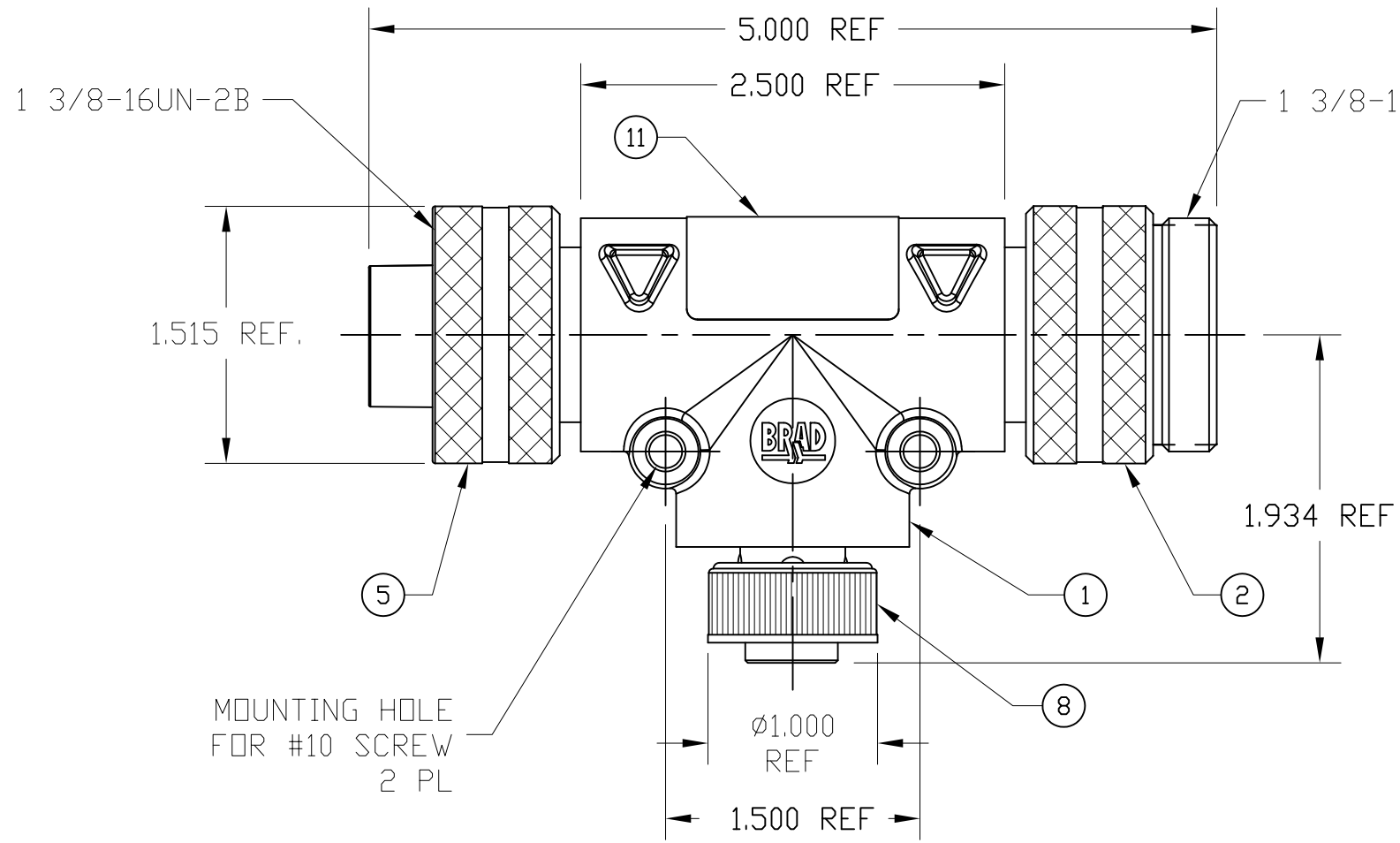
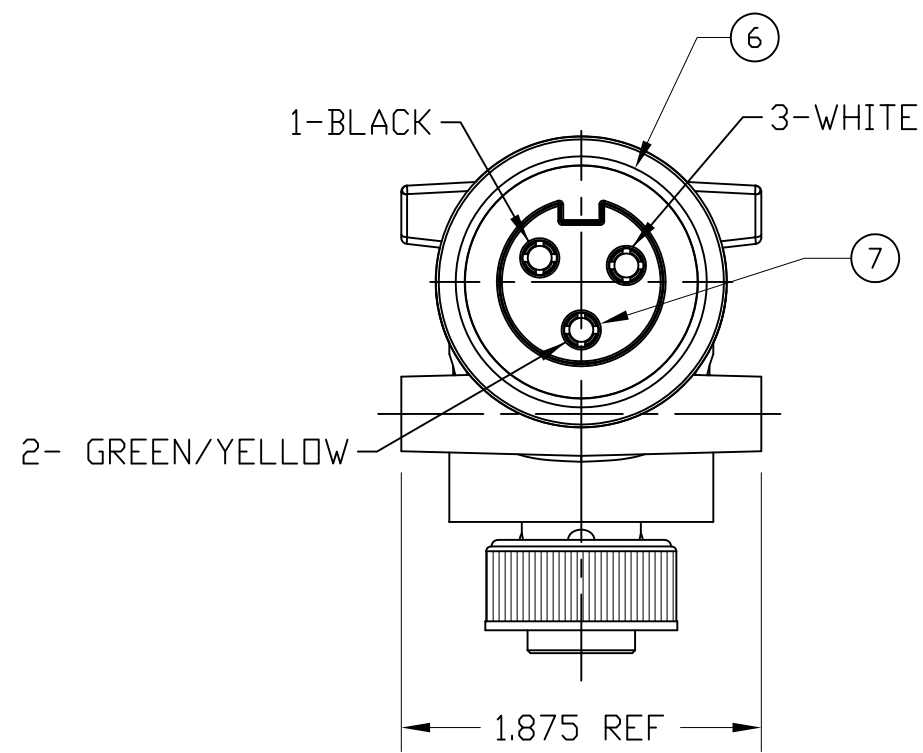


PART NUMBER	ENGINEERING NUMBER
1300680034	TC30130-200



WIRE DIAGRAM

NOTE:

- LABEL IS MARKED WITH P/N, DATE CODE, VOLTAGE & AMPERAGE
- ELECTRICAL DATA:  
REDUCING TEE QC TO MC  
POLES: 3  
MAX. VOLTAGE: 600V AC/DC  
MAX. THRU CURRENT: 30A  
MAX. DROP CURRENT: 15A  
PROTECTION: IP67  
TEMPERATURE RANGE: -20°C TO 90°C
- PACKAGING:  
ASSEMBLIES ARE BAGGED SEPERATELY IN POLY BAGS WITH BAR CODE LABEL ATTACHED TO THE OUTSIDE OF THE BAG.
- ASSEMBLY IS RoHS COMPLIANT
- CERTIFICATION:  
UL LISTED/CSA CERTIFIED , FILE E258922

ITEM	QTY	DESCRIPTION	MATERIAL	FINISH
11	1	LABEL	PLASTIC FILM	BLACK/YELLOW
10	3	MC SOCKET CONTACT	COPPER ALLOY	GOLD PLATED
9	1	MC FEMALE INSERT	PVC	BLACK
8	1	MC COUPLING NUT	ZINC ALLOY	BLACK E-COAT
7	3	QC SOCKET CONTACT	COPPER ALLOY	GOLD PLATED
6	1	QC FEMALE INSERT	PVC	BLACK
5	1	QC FEMALE COUPLING NUT	ALUMINUM	CLEAR ANODIZE
4	3	QC PIN CONTACT	COPPER ALLOY	GOLD PLATED
3	1	QC MALE INSERT	PVC	BLACK
2	1	QC MALE COUPLING NUT	ALUMINUM	CLEAR ANODIZE
1	1	OVERMOLD	PVC	GRAY

RELEASED EC NO: WNA2010-0424 DRWN: KJOZWIK 2010/01/12 CH'KD: BWOODMAN APPR: JFMURPHY 2010/01/15	DESCRIPTION A	<b>QUALITY SYMBOL</b> $\nabla=0$ $\sphericalangle=0$	<b>GENERAL TOLERANCES (UNLESS SPECIFIED)</b>	<b>DIMENSION STYLE</b> IN/MM	SCALE 1:1	DESIGN UNITS INCH	THIRD ANGLE PROJECTION
		4 PLACES ±--- ±--- 3 PLACES ±--- ±.005 2 PLACES ±0.13 ±.010 1 PLACE ±0.25 ±.020	DRAWN BY KJOZWIK	DATE 2010/01/12	TITLE <b>BRAD POWER QC 3 POLE TEE W/3 POLE MC DROP</b>		
		ANGULAR ±1/2°	CHECKED BY BWOODMAN	DATE 2010/01/12	MOLEX INCORPORATED		
		DRAFT WHERE APPLICABLE MUST REMAIN WITHIN DIMENSIONS	APPROVED BY JFMURPHY	DATE 2010/01/15	DOCUMENT NO. SD-130068-005		
			MATERIAL NO. <b>SEE TABLE</b>	SHEET NO. <b>1 OF 1</b>	THIS DRAWING CONTAINS INFORMATION THAT IS PROPRIETARY TO MOLEX INCORPORATED AND SHOULD NOT BE USED WITHOUT WRITTEN PERMISSION		