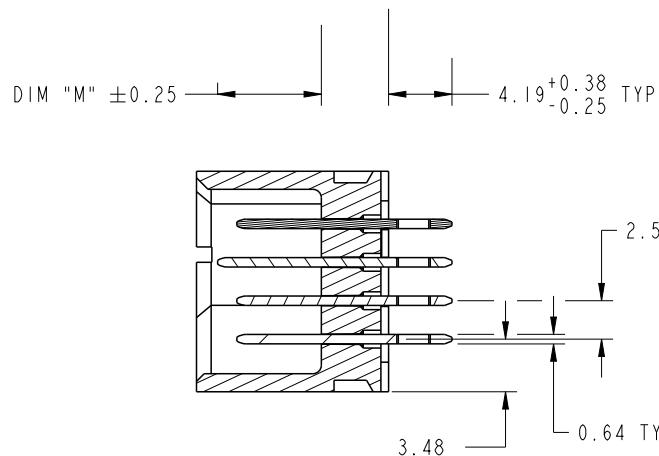
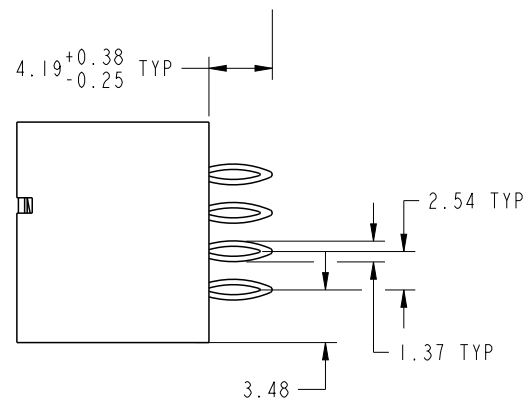


PRODUCT NUMBER

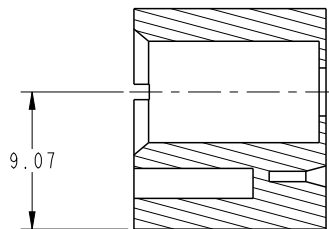
51710-053__
NOTE 3



SECTION A-A
SCALE 2:1



SCALE 2:1



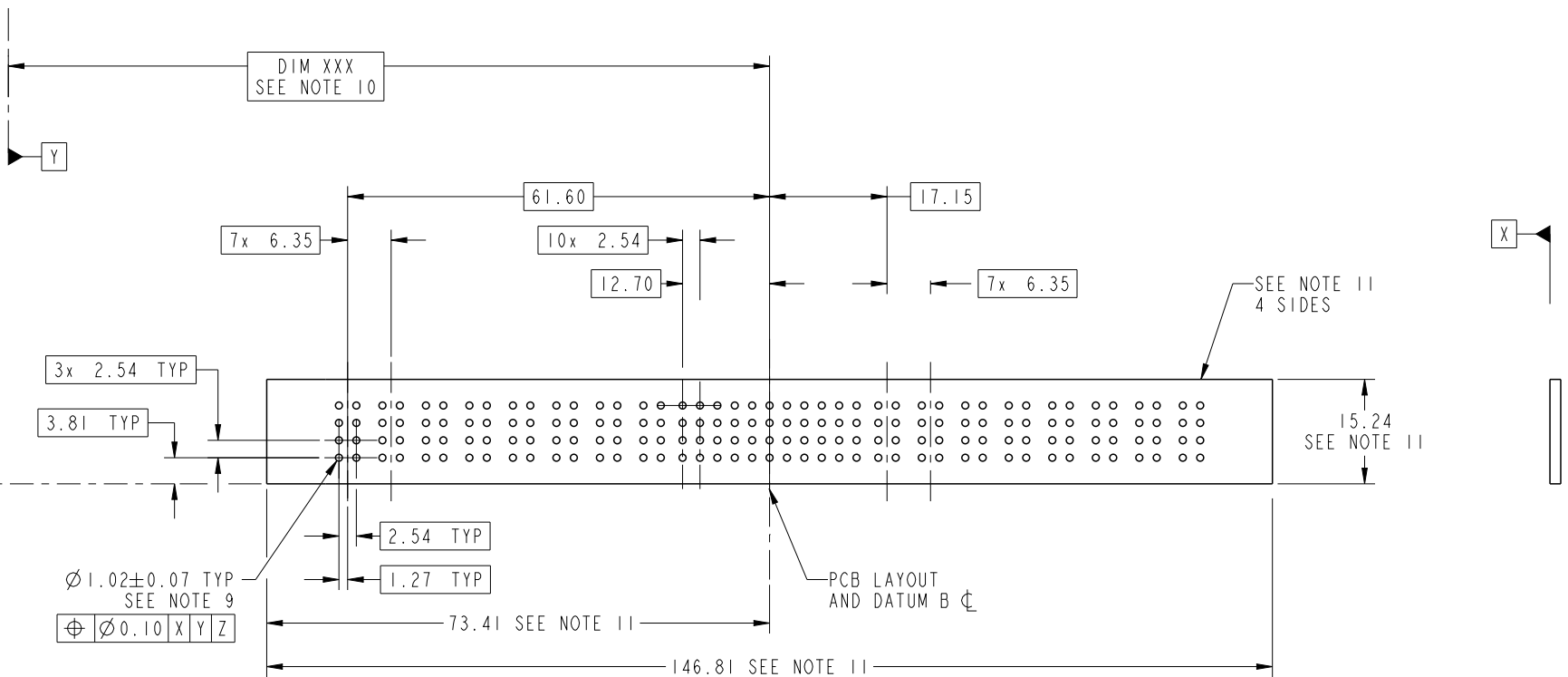
SECTION C-C
SCALE 2:1

dr	X Q Wang	2012/04/17	projection 	MM 	size	A4	scale	1:1	
eng	Luo Weller	2013/07/03			ecn no	-			
chr	-	-			rel level	Released			
appr	Pei-Ming Zheng	2013/07/03	product family	PwrBlade					
		title	8P + 44S + 8P		dwg no	51710-053		rev	A
www.fci.com		cat. no.	-		Product - Customer Drw			sheet 2 of 4	



Copyright FCI.

PRODUCT NUMBER
51710-053_
NOTE 3



RECOMMENDED PCB LAYOUT



Copyright FCI.

dr	X Q Wang	2012/04/17	projection 	MM 	size	A4	scale	1:1			
eng	Luo Weller	2013/07/03			ecn no	-					
chr	-	-			rel level	Released					
appr	Pei-Ming Zheng	2013/07/03	product family	PwrBlade							
		title			8P + 44S + 8P		dwg no		51710-053	rev	A
www.fci.com		cat. no.			-		Product - Customer Drw		sheet 3 of 4		

PRODUCT NUMBER

51710-053_-
NOTE 3

NOTES:

1. DIMENSIONS AND TOLERANCES ARE IN ACCORDANCE WITH ASME Y14.5M, 1994 UNLESS OTHERWISE SPECIFIED.

CONNECTOR NOTES:

- ② HOUSING MATERIAL: UL 94 V-0 GLASS FILLED HIGH-TEMP THERMOPLASTIC
POWER CONTACT MATERIAL: COPPER ALLOY
SIGNAL PIN MATERIAL: COPPER ALLOY
- 3. SEE ITEM 3 & 4 IN PRINT 10064183 FOR PLATING SPEC OF 51710-053 AND 51710-053LF RESPECTIVELY.

④ MANUFACTURER'S NAME, DATE CODE AND OPTIONAL P/N TO APPEAR ON THIS SURFACE. THE P/N CAN BE OMITTED IF THERE IS NOT ENOUGH SPACE ON THIS SURFACE.

5. PRODUCT SPECIFICATION GS-12-149.
APPLICATION SPECIFICATION BUS-20-067.

6. PACKAGED IN TRAYS.

PCB NOTES:

- 7. ALL HOLE DIAMETERS ARE FINISHED HOLE SIZE.
- 8. MOUNTING HOLES, WHERE APPLICABLE, ARE UNPLATED.

⑨ $\varnothing 1.151 \pm 0.025$ DRILLED HOLES PLATED WITH 0.008 MIN SnPb OR Sn OVER .001 [0.03] TO 0.08 Cu PLATING TO ACHIEVE $\varnothing 1.02 \pm 0.07$ HOLE.

⑩ "DIM XXX" TO BE DETERMINED BY THE CUSTOMER.

⑪ CONNECTOR KEEP-OUT ZONE.

12. FOR PRESS FIT APPLICATION USE FCI CAM TOOL 430169-XXX.

dr	X Q Wang	2012/04/17	projection 	MM 	size	A4	scale	1:1			
eng	Luo Weller	2013/07/03			ecn no	-					
chr	-	-			product family	PwrBlade	rel level	Released			
appr	Pei-Ming Zheng	2013/07/03			title	8P + 44S + 8P		dwg no	51710-053	rev	A
www.fci.com		cat. no.	-	Product - Customer Draw			sheet 4 of 4				



Copyright FCI.