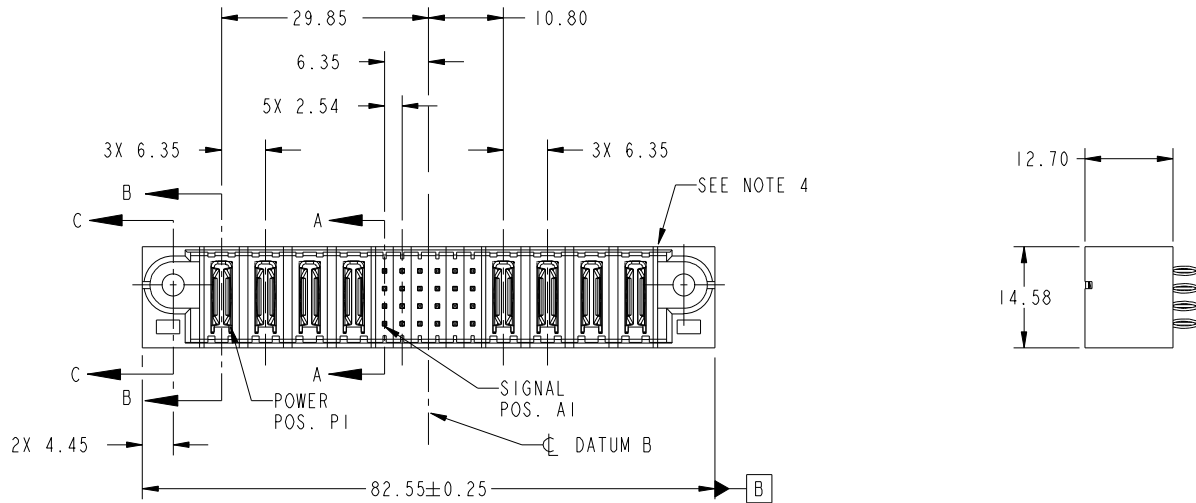


Tous droits strictement réservés. Reproduction ou communication a des tiers interdite sous quelque forme que ce soit sans autorisation écrite du propriétaire. Propriété de c FCI. Droits de reproduction FCI.



All rights strictly reserved. Reproduction or issue to third parties in any form whatever is not permitted without written authority from the proprietor. Property of FCI. Copyright FCI.

PRODUCT NO.	ROWS	POWER				SIGNAL				POWER				E2							
		E1	P1	P2	P3	P4	1	2	3	4	5	6	P5		P6	P7	P8				
51710-042-- NOTE ③	D C B A		PC	PC	PC	PC	K	K	K	K	K	K	K	K	K	K	PC	PC	PC	PC	



CODE	DIM "M" MATING LENGTH	CONTACT TYPE
PC	[N/A]	POWER
K	[5.59]	SIGNAL
G	[6.86]	SIGNAL

mat'l code				tolerances unless otherwise specified		CUSTOMER		 www.fciconnect.com	
ltr	ecn no.	dr	date	linear	0.X ±0.5	projection		title	
A	DG10-0397	XQ	11/16/10		0.XX ±0.25			4 P + 24 S + 4 P VERTICAL PF HEADER	
					0.XXX ±0.1			product family PwrBlade code 213	
				angles	0° ±2°			size	sheet
				dr	XQ Wong 11/16/10	scale		A	1 of 4
				enr	Jerome Chen 11/16/10	1:1		dwg no 51710-042	
				chr	PM ZHENG 11/16/10				
				appd	JOSEPH HSIA 11/16/10				
sheet index	revision sheet	A 1	A 2	A 3	A 4				

cage code 22526

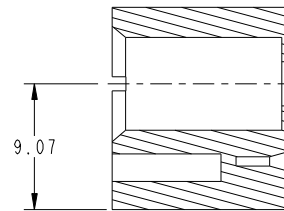
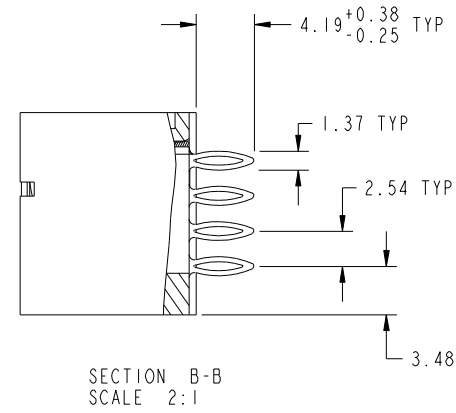
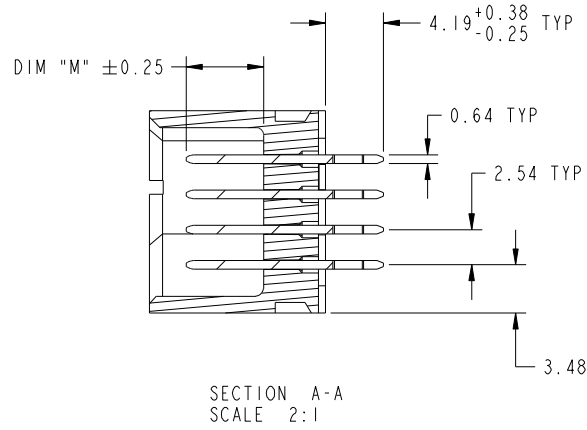
Pro/E

Tous droits strictement reserves. Reproduction ou communication a des tiers interdite sous quelque forme que ce soit sans autorisation écrite du propriétaire. Propriete de c FCI. Droits de reproduction FCI.

All rights strictly reserved. Reproduction or issue to third parties in any form whatever is not permitted without written authority from the proprietor. Property of FCI. Copyright FCI.



PRODUCT NUMBER  
51710-042--  
NOTE 3



mat'l code				tolerances unless otherwise specified		CUSTOMER		FCI	
ltr	ecn no.	dr	date	linear	0.X ±0.5	COPY		www.fciconnect.com	
A				linear	0.XX ±0.25	projection		title	
				angles	0.XXX ±0.1			4 P + 24 S + 4 P VERTICAL PF HEADER	
				dr	0° ±2°			product family PwrBlade code	
				enr	X0 Wang 11/16/10	scale		size	
				chr	Jerome Chen 11/16/10	1:1		dwg no	
				appd	PM ZHENG 11/16/10			A 51710-042	
					JOSEPH HSIA 11/16/10			sheet	
sheet index	revision sheet							2 of 4	

cage code 22526

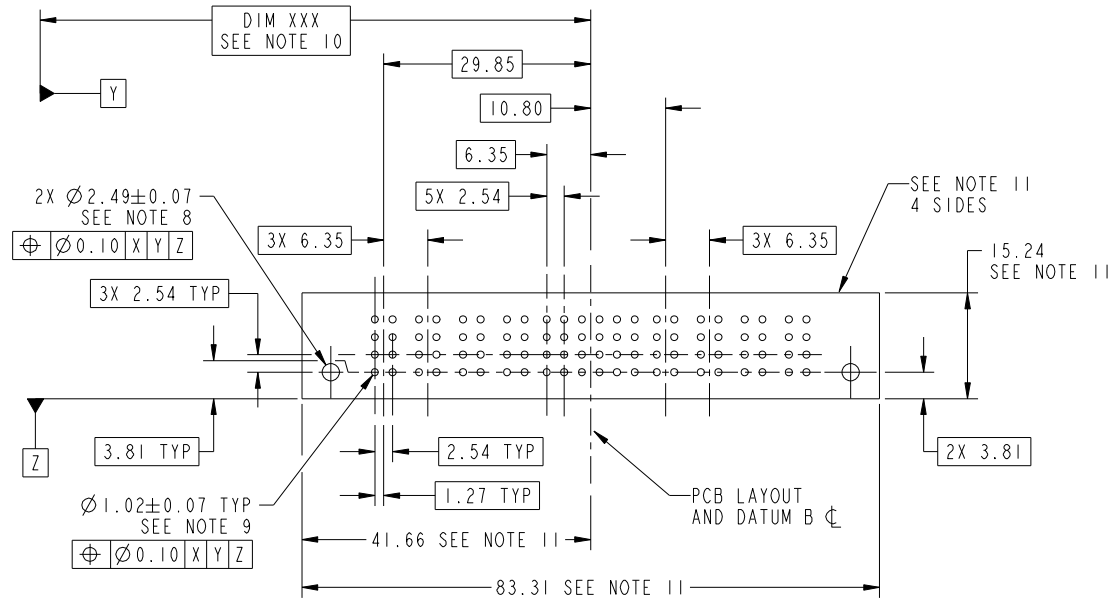
Pro/E

Tous droits strictement reserves. Reproduction ou communication a des tiers interdite sous quelque forme que ce soit sans autorisation écrite du propriétaire. Propriete de c FCI. Droits de reproduction FCI.



All rights strictly reserved. Reproduction or issue to third parties in any form whatever is not permitted without written authority from the proprietor. Property of FCI. Copyright FCI.

PRODUCT NUMBER  
51710-042\_\_  
NOTE 3



RECOMMENDED PCB LAYOUT

mat'l code				tolerances unless otherwise specified		CUSTOMER		www.fciconnect.com	
ltr	ecn no.	dr	date	linear	0.X ± 0.5	COPY		title	
A					0.XX ± 0.25	projection		4 P + 24 S + 4 P VERTICAL PF HEADER	
				angles	0.XXX ± 0.1			product family PwrBlade code	
				dr	0° ± 2°			size 213	
				enrg	XO Wang 11/16/10	scale		dwg no 51710-042 sheet 3 of 4	
				chr	Jerome Chen 11/16/10	1:1			
				appd	PM ZHENG 11/16/10				
					JOSEPH HSIA 11/16/10				
sheet index	revision sheet								

cage code 22526

Pro/E

Tous droits strictement reserves. Reproduction ou communication a des tiers interdite sous quelque forme que ce soit sans autorisation écrite du propriétaire. Propriete de c FCI. Droits de reproduction FCI.



All rights strictly reserved. Reproduction or issue to third parties in any form whatever is not permitted without written authority from the proprietor. Property of FCI. Copyright FCI.

PRODUCT NUMBER  
51710-042--  
NOTE 3

NOTES:

1. DIMENSIONS AND TOLERANCES ARE IN ACCORDANCE WITH ASME Y14.5M, 1994 UNLESS OTHERWISE SPECIFIED.

CONNECTOR NOTES:

- 2 HOUSING MATERIAL: UL 94 V-0 GLASS FILLED HIGH-TEMP THERMOPLASTIC  
POWER CONTACT MATERIAL: COPPER ALLOY  
SIGNAL PIN MATERIAL: COPPER ALLOY
- 3. SEE ITEM 3 & 4 IN PRINT 10064183 FOR PLATING SPEC OF 51710-042 AND 51710-042LF RESPECTIVELY.
- 4 MANUFACTURER'S NAME, DATE CODE AND OPTIONAL P/N TO APPEAR ON THIS SURFACE. THE P/N CAN BE OMITTED IF THERE IS NOT ENOUGH SPACE ON THIS SURFACE.
- 5. PRODUCT SPECIFICATION GS-12-149.  
APPLICATION SPECIFICATION BUS-20-067.

6. PACKAGED IN TRAYS.

PCB NOTES:

- 7. ALL HOLE DIAMETERS ARE FINISHED HOLE SIZE.
- 8. MOUNTING HOLES, WHERE APPLICABLE, ARE UNPLATED.

9  $\varnothing 1.151 \pm 0.025$  DRILLED HOLES PLATED WITH 0.008 MIN SnPb OR Sn OVER .001 [0.03] TO 0.08 Cu PLATING TO ACHIEVE  $\varnothing 1.02 \pm 0.07$  HOLE.

10 "DIM XXX" TO BE DETERMINED BY THE CUSTOMER.

11 CONNECTOR KEEP-OUT ZONE.

12. FOR PRESS FIT APPLICATION USE FCI CAM TOOL 430169-XXX.

mat'l code				tolerances unless otherwise specified		CUSTOMER		FCI	
ltr	ecn no.	dr	date	linear	0.X ± 0.5	COPY		www.fciconnect.com	
A				linear	0.XX ± 0.25	projection		title	
				angles	0.XXX ± 0.1			4 P + 24 S + 4 P VERTICAL PF HEADER	
				dr	0° ± 2°	MIM		product family PwrBlade code	
				enr	X0 Wong 11/16/10			size 213	
				enr	Jerome Chen 11/16/10	scale		dwg no 51710-042 sheet	
				chr	PM ZHENG 11/16/10	1:1		4 of 4	
				appd	JOSEPH HSIA 11/16/10				
sheet index	revision sheet								

cage code 22526

Pro/E