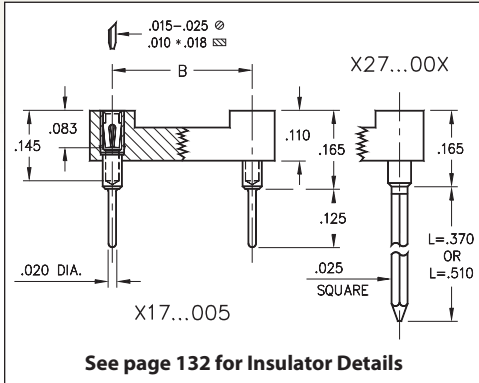


DUAL-IN-LINE SOCKETS

SERIES 117, 127, 217, 227, 317, 327 • SHRINK DIP, SOLDER TAIL & WRAPOST



- High density DIP sockets and strips for devices featuring .070" lead spacing
- Solder tails use MM #1802 receptacles, See page 169 for details. Wraposts use MM #1702-2 or 1703-3 receptacles, See page 198 for details
- Hi-Rel, 4-finger BeCu #30 contact is rated at 3 amps. See page 253 for details
- Insulators are high temperature thermoplastic, suitable for all soldering operations
- For Electrical, Mechanical and Environmental Data, see page 264 for details



Total number of pins	Pin Spacing			Quantity per tube	ORDERING INFORMATION				
	A	B	C		Solder Tail	L = .370 (2 Level Wrapost)	L = .510 (3 Level Wrapost)		
OPEN FRAME DIP SOCKET									
16	0.572	0.3	0.39	35	117-XX-316-41-005000	127-XX-316-41-002000	127-XX-316-41-003000		
28	0.992	0.4	0.49	20	117-XX-428-41-005000	127-XX-428-41-002000	127-XX-428-41-003000		
30	1.062	0.4	0.49	18	117-XX-430-41-005000	127-XX-430-41-002000	127-XX-430-41-003000		
48	1.692	0.4	0.49	12	117-XX-448-41-005000	127-XX-448-41-002000	127-XX-448-41-003000		
20	0.712	0.6	0.69	28	117-XX-620-41-005000	127-XX-620-41-002000	127-XX-620-41-003000		
28	0.992	0.6	0.69	20	117-XX-628-41-005000	127-XX-628-41-002000	127-XX-628-41-003000		
40	1.412	0.6	0.69	14	117-XX-640-41-005000	127-XX-640-41-002000	127-XX-640-41-003000		
42	1.482	0.6	0.69	13	117-XX-642-41-005000	127-XX-642-41-002000	127-XX-642-41-003000		
48	1.692	0.6	0.69	11	117-XX-648-41-005000	127-XX-648-41-002000	127-XX-648-41-003000		
52	1.832	0.6	0.69	11	117-XX-652-41-005000	127-XX-652-41-002000	127-XX-652-41-003000		
56	1.972	0.6	0.69	10	117-XX-656-41-005000	127-XX-656-41-002000	127-XX-656-41-003000		
64	2.252	0.6	0.69	8	117-XX-664-41-005000	127-XX-664-41-002000	127-XX-664-41-003000		
68	2.392	0.6	0.69	8	117-XX-668-41-005000	127-XX-668-41-002000	127-XX-668-41-003000		
64	2.252	0.75	0.84	8	117-XX-764-41-005000	127-XX-764-41-002000	127-XX-764-41-003000		
CLOSED FRAME DIP SOCKET									
64	2.252	0.75	0.84	8	217-XX-764-41-005000	227-XX-764-41-002000	227-XX-764-41-003000		
SINGLE ROW STRIP SOCKET									
If desired, we will supply any length up to 21 pins.									
21	1.482	---	.104	-	317-XX-121-41-005000	327-XX-121-41-002000	327-XX-121-41-003000		
XX=Plating Code See to Right					SPECIFY PLATING CODE XX=				
					Sleeve (Pin)	91	93	41	43
					Contact (Clip)	200 μ" Sn/Pb	200 μ" Sn/Pb	200 μ" Sn	200 μ" Sn
					10 μ" Au	30 μ" Au	10 μ" Au	30 μ" Au	

