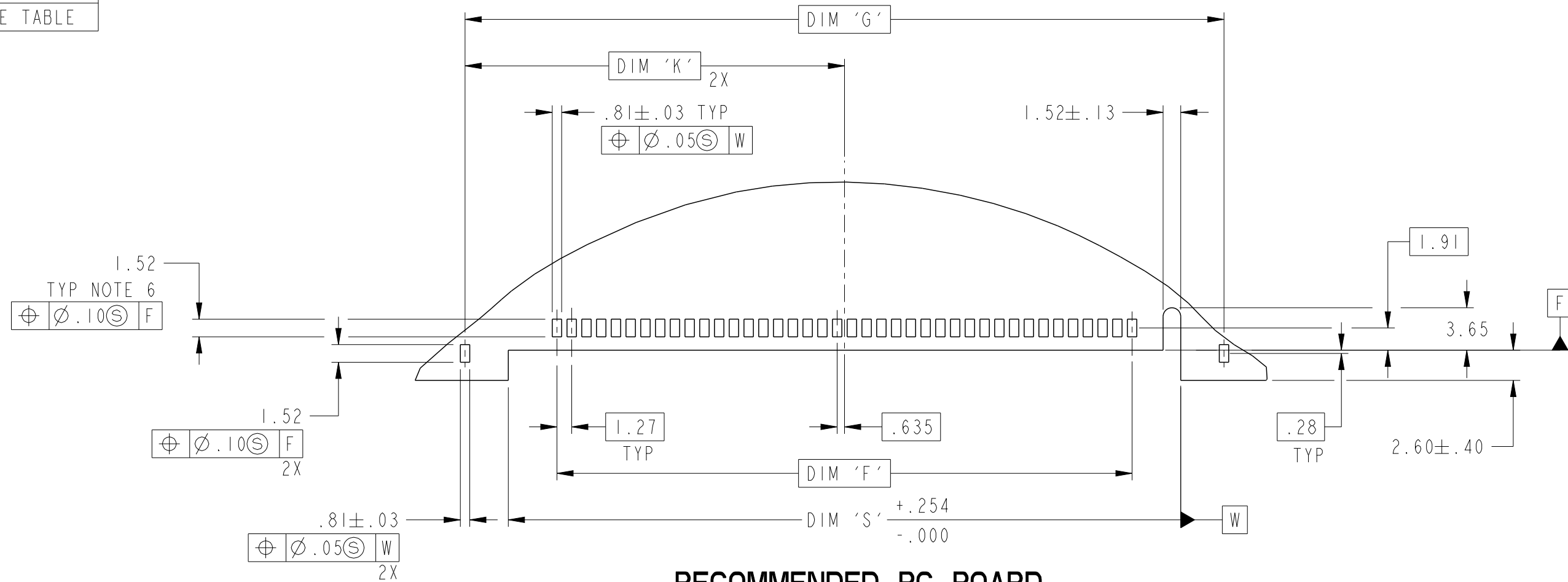


Copyright FCI.

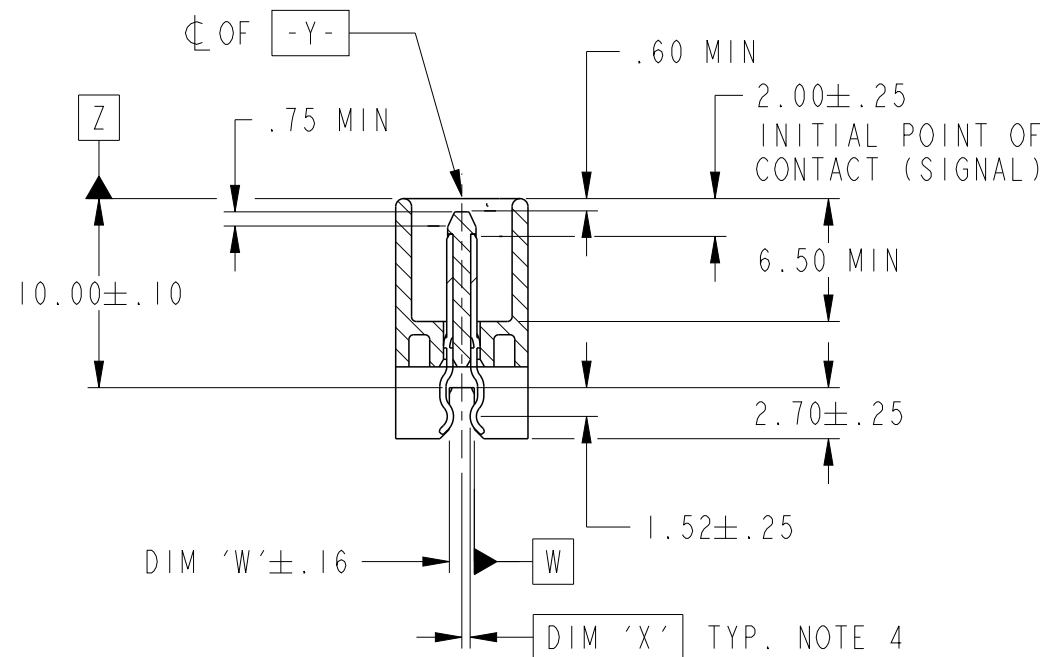
CONFIDENTIAL

spec ref	-	dr	Louis Ng	2011/05/11	projection	MM	size	A3	scale	5:2	
tolerance std	ISO 406 ISO 1101	eng	Guat-Lian Loo	2012/10/10			ecn no	ELX-S-005680-1			
TOLERANCES UNLESS OTHERWISE SPECIFIED		chr	-	-			rel level	Released			
surface	✓	appr	Chen-Hong Tan	2012/10/10	product family	SCA-2	rel level	Released			
ISO 1302	linear	0.X	±.3		SCA-2 PLUG CONNECTOR		dwg no	71292		rev	U
		0.XX	±.13		STRADDLE MOUNT						
	angular	0°	±2°		cat. no.	-		Product - Customer Drw		sheet 1 of 4	

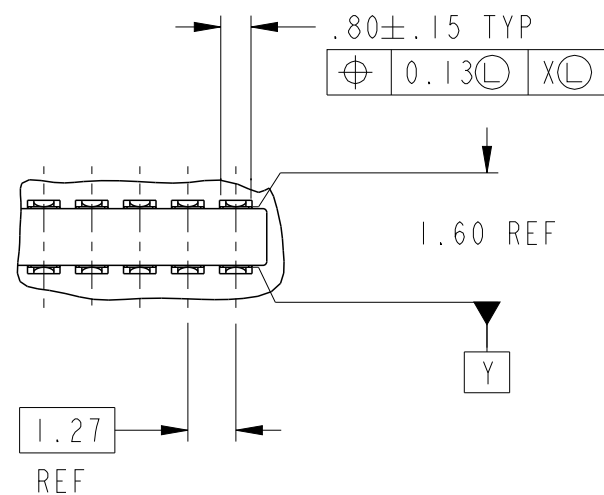
PRODUCT NO.
SEE TABLE



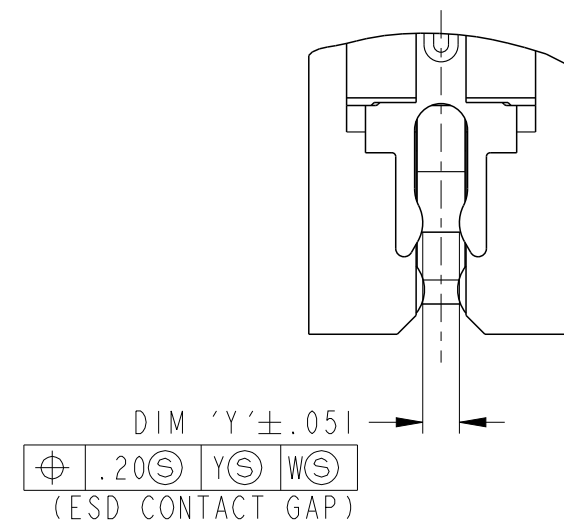
**RECOMMENDED PC BOARD
MOUNTING DIMENSIONS**



SECTION X-X
SCALE 5:2



DETAIL A
SCALE 5:1



DETAIL B
SCALE 5:1

CONFIDENTIAL

spec ref	-	dr	Louis Ng	2011/05/11	projection	MM	size	A3	scale	5:2
tolerance std	ISO 406 ISO 1101	eng	Guat-Lian Loo	2012/10/10			ecn no	ELX-S-005680-1	rel level	Released
TOLERANCES UNLESS OTHERWISE SPECIFIED		chr	-	appr						
surface	ISO 1302	linear	0.X	±.3			dwg no	71292	rev	U
		linear	0.XX	±.13	SCA-2 PLUG CONNECTOR STRADDLE MOUNT					
		linear	0.XXX	±.051	www.fci.com	cat. no.	-	Product - Customer Drw	sheet 2 of 4	
		angular	0°	±2°						

PRODUCT NO.	NO. POS.	RECOMMENDED PCB THICKNESS	DIM A REF	2										3			4				PLATING		
				DIM B	DIM C	DIM D	DIM E	DIM F	DIM G	DIM H	DIM J	DIM K	POS. N	POS. P	POS. R	DIM S	DIM T	DIM U	DIM V	DIM W		DIM X	DIM Y
71292-001	80	1.19	62.15	51.17	55.27	57.87	63.30	49.53	65.36	66.50	66.40	32.68	41	40	80	57.91	57.82	28.88	1.32	1.30	0.44	0.97	NOTE 2
-001S																							-101S
71292-002	40	1.19	36.75	25.77	29.87	32.47	37.90	24.13	39.95	41.10	41.00	19.98	21	20	40	32.52	32.41	16.20	1.32	1.30	0.44	0.97	NOTE 2
-002S																							-102S
71292-003S	80	1.57	62.15	51.17	55.27	57.87	63.30	49.53	65.36	66.50	66.40	32.68	41	40	80	57.91	57.82	28.88	1.83	1.83	0.72	1.52	NOTE 2
-103S																							NOTE 10
71292-004S	40	1.57	36.75	25.77	29.87	32.47	37.90	24.13	39.95	41.10	41.00	19.98	21	20	40	32.52	32.41	16.20	1.83	1.83	0.72	1.52	NOTE 2
-104S																							NOTE 10



NOTES:

- HOUSING : LCP, UL94V-0 RATED, COLOR: BLACK
CONTACTS: PHOSPHOR-BRONZE
ESD CONTACT: PHOSPHOR-BRONZE
- PLATING:
CONTACTS: 0.76µm (30µ") MIN GXT IN CONTACT AREA,
2.54µm (100µ") MIN TIN-LEAD ON P.C. BOARD LEG,
1.27µm (50µ") MIN NICKEL UNDERPLATE OVER ENTIRE TERMINAL.
ESD CONTACT: 2.54µm (100µ") MIN TIN-LEAD
PLATING W/1.27µm (50µ") NICKEL UNDERPLATE.
- MEASURED AT THE FLOOR OF THE CAVITY MEASURED 6mm FROM DATUM -Z-
- APPLIES TO ALL SURFACES OF CONTACT TAILS.
- MAXIMUM BOARD THICKNESS THAT CONNECTOR CAN ACCOMODATE IS DEFINED BY DIM 'V'.
- THESE DIMENSIONS RESULT IN THE CONTACT RESTING IN CENTER OF PAD WIDTH. THESE DIMENSIONS ARE SUBJECT TO CHANGE DEPENDING ON CUSTOMER'S MANUFACTURING PREFERENCES IN PROCESS SOLDER PLACEMENT AND REFLOW.
- DATE CODE IN THIS AREA.
- MEASUREMENT MADE AT CENTER OF PART, MAY BE AS LOW AS 6.55. DESIGN TO BE MADE TO ACHIEVE THE NOMINAL DIMENSION ACROSS THE ENTIRE PART.
- DISTANCE MEASURED ACROSS CONTACT MATING SURFACES ALONG EFFECTIVE MATING AREA AND CONTACT MUST BE ABOVE PLASTIC ALONG EFFECTIVE MATING AREA.
- PLATING:
CONTACTS: 0.76µm (30µ") MIN GOLD IN CONTACT AREA,
2.54µm (100µ") MIN TIN-LEAD ON P.C. BOARD LEG,
1.27µm (50µ") MIN NICKEL UNDERPLATE OVER ENTIRE TERMINAL.
ESD CONTACT: 2.54µm (100µ") MIN TIN-LEAD
PLATING W/1.27µm (50µ") NICKEL UNDERPLATE.
- PART NUMBERS ENDING IN -0xx OR -0xxS OR -1xxS ARE MANUFACTURED WITH BRIGHT FINISH TIN-LEAD PLATING IN P.C. BOARD LEG AREA.

CONFIDENTIAL

spec ref	-	dr	Louis Ng	2011/05/11	projection	MM	size	A3	scale	5:2
tolerance std	ISO 406 ISO 1101	eng	Guat-Lian Loo	2012/10/10			ecn no	ELX-S-005680-1		
TOLERANCES UNLESS OTHERWISE SPECIFIED		chr	-	-				product family	SCA-2	rel level
surface	linear	0.X	±.3		SCA-2 PLUG CONNECTOR STRADDLE MOUNT		dwg no	71292		rev
		0.XX	±.13							
		0.XXX	±.051							
ISO 1302	angular	0°	±2°	www.fci.com	cat. no.	-	Product - Customer Drw	sheet 3 of 4		

Copyright FCI.

PRODUCT NO.	NO. POS.	RECOMMENDED PCB THICKNESS	DIM A REF	DIM B	DIM C	DIM D	DIM E	DIM F	DIM G	DIM H	DIM J	DIM K	POS. N	POS. P	POS. R	DIM S	DIM T	DIM U	DIM V	DIM W	DIM X	DIM Y	PLATING
71292-001LF	80	1.19	62.15	51.17	55.27	57.87	63.30	49.53	65.36	66.50	66.40	32.68	41	40	80	57.91	57.82	28.88	1.32	1.30	0.44	0.97	NOTE 16
-201LF																							NOTE 12
71292-002LF	40	1.19	36.75	25.77	29.87	32.47	37.90	24.13	39.95	41.10	41.00	19.98	21	20	40	32.52	32.41	16.20	1.32	1.30	0.44	0.97	NOTE 16
-202LF																							NOTE 12
71292-003LF	80	1.57	62.15	51.17	55.27	57.87	63.30	49.53	65.36	66.50	66.40	32.68	41	40	80	57.91	57.82	28.88	1.83	1.83	0.72	1.52	NOTE 16
-203LF																							NOTE 12
71292-004LF	40	1.57	36.75	25.77	29.87	32.47	37.90	24.13	39.95	41.10	41.00	19.98	21	20	40	32.52	32.41	16.20	1.83	1.83	0.72	1.52	NOTE 16
-204LF																							NOTE 12



NOTES:

- 12. PLATING: CONTACT: 0.76µm (30µ") MIN GOLD IN CONTACT AREA, 2.54µm (100µ") - 5.08µm (200µ") TIN (LEAD-FREE) ON P.C. BOARD LEG, 1.27µm (50µ") MIN NICKEL UNDERPLATE OVER ENTIRE TERMINAL. ESD CONTACT: 2.54µm (100µ") - 5.08µm (200µ") TIN PLATING (LEAD-FREE) WITH 1.27µm (50µ") NICKEL UNDERPLATE.
- ⑬. THE HOUSING WILL WITHSTAND EXPOSURE TO 260°C PEAK TEMPERATURE FOR 10 SECONDS IN A CONVECTION, INFRA-RED OR VAPOR PHASE REFLOW OVEN.
- ⑭. THIS PRODUCT MEETS EUROPEAN UNION DIRECTIVES AND OTHER COUNTRY REGULATIONS AS DESCRIBED IN GS-22-008.
- 15. PART NUMBERS ENDING IN "LF" MEANS FOR NOTE 14 LEAD FREE IDENTIFICATION. P/N XXXXX-2XXLF IS EQUIVALENT TO PREVIOUS P/N XXXXX-2XX.
- 16. PLATING: CONTACT: 0.76µm (30µ") MIN GXT IN CONTACT AREA, 2.54µm (100µ") - 5.08µm (200µ") TIN (LEAD-FREE) ON P.C. BOARD LEG, 1.27µm (50µ") MIN NICKEL UNDERPLATE OVER ENTIRE TERMINAL. ESD CONTACT: 2.54µm (100µ") - 5.08µm (200µ") TIN PLATING (LEAD-FREE) WITH 1.27µm (50µ") NICKEL UNDERPLATE.
- 17. A SYMBOL WILL BE NEXT TO ANY DIMENSION, VIEW OR NOTE WHICH HAS BEEN MODIFIED WITH THE CURRENT DRAWING REVISION.

CONFIDENTIAL

spec ref	-			dr	Louis Ng	2011/05/11	projection	MM	size	A3	scale	5:2
tolerance std	TOLERANCES UNLESS OTHERWISE SPECIFIED			eng	Guat-Lian Loo	2012/10/10		← →	ecn no	ELX-S-005680-1		
ISO 406 ISO 1101	linear	0.X	±.3	chr	-	-			product family	SCA-2	rel level	Released
surface	linear	0.XX	±.13	appr	Chen-Hong Tan	2012/10/10	SCA-2 PLUG CONNECTOR		dwg no	71292		rev
ISO 1302	angular	0°	±2°			www.fci.com	STRADDLE MOUNT				U	
				cat. no.	-			Product - Customer Drw			sheet 4 of 4	



Copyright FCI.