

PRODUCT NUMBER	PITCH
H5xx50x200J0G	5.08 mm

Dimension

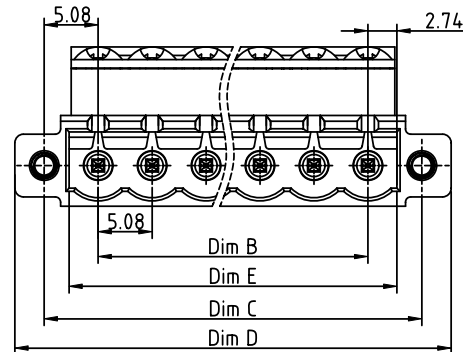
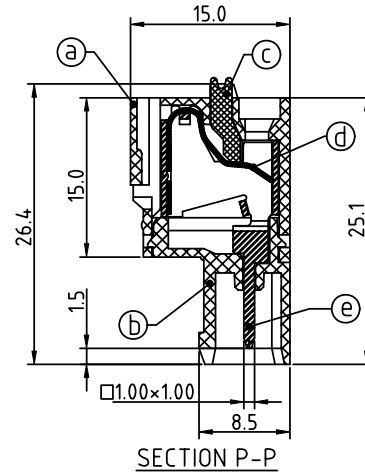
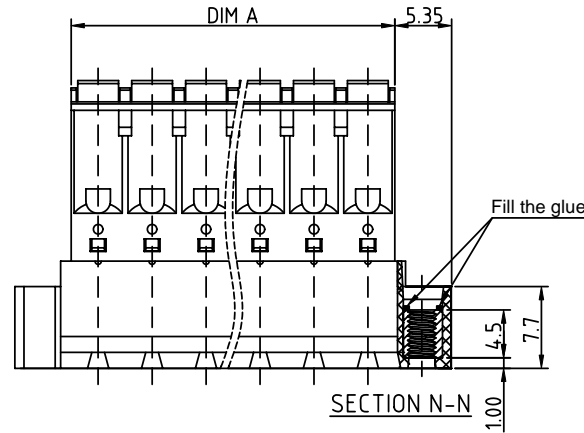
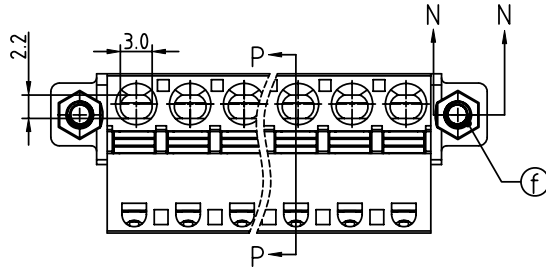
DIM A	Nx5.08
DIM B	(N-1)x5.08
DIM C	(N-1)x5.08+10.16
DIM D	Nx5.08+10.6
DIM E	(N-1)x5.08+5.48

N=Number of poles

POLES	Tolerance
2p-6p	±0.15
7p-12p	±0.20
13p-16p	±0.30
17p-24p	±0.40

PART NO.: H5 xx 5 0 x 2 00J0 G

Solid block	0	Color	Black (RAL9005)	RoHS compliant	(lead<4%)
No. of poles	2		Red (RAL3001/D)	In copper Alloy	
02 2 poles	3		Orange(RAL2011/P)		
03 3 poles	4		Yellow(RAL1018/A)		
...	5		Green(RAL6018/T)		
24 24 poles	6		Blue (RAL5015/A)		
	8		Grey(RAL7035/D)		
	9		White(RAL1102)		
	C		Green(RAL6018/U)		



Material:

- Item@a)Top body:Thermoplastic (UL94V-0)
- Item@d)Bottom body:Thermoplastic (UL94V-0)
- Item@c)Terminal lever:Thermoplastic (UL94V-0) Orange (RAL2001/P)
- Item@d)Spring clamp:Stainless Steel
- Item@e)Male contact pin :PhBz (CuSn)Tin plated

Electrical

- Voltage rating: 300V
- Current rating: 10A
- Solid wire(AWG): 12-26
- Stranded wire(AWG): 12-26
- Wire strip length: 9-10mm
- Withstanding Voltage: 1.6KV
- Operating temperature: -40°C to +115°C
- Safety Approval: cULus

cULus

mat'l. code		surface ASME Y14.5	tolerance ASME Y14.5	projection	product family TERMINAL BLOCK
ltr	ecn no	dr	date	tolerances unless otherwise specified	title TERMINAL BLOCK SPRING CLAMP, PLUGGABLE PLUG MALE CONNECTOR, FLANGE WITH NUT
				angles X°±1°	
				X.±0.5	scale MM
				X.X±0.3	
				X.XX±0.1	FCI logo
		dr	EVIN ZHONG 051714	dwg no	
		enr	EVIN ZHONG 051714	H5xx50x200J0G A4	
		chr	HANKE FENG 051714	type	
		appd	SHI JUN 051714	CUSTOMER Drawing	
sheet index	revision	A			
	sheet	1			