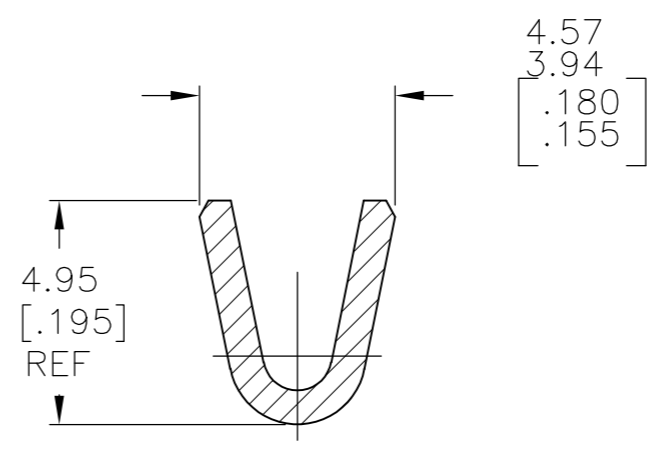
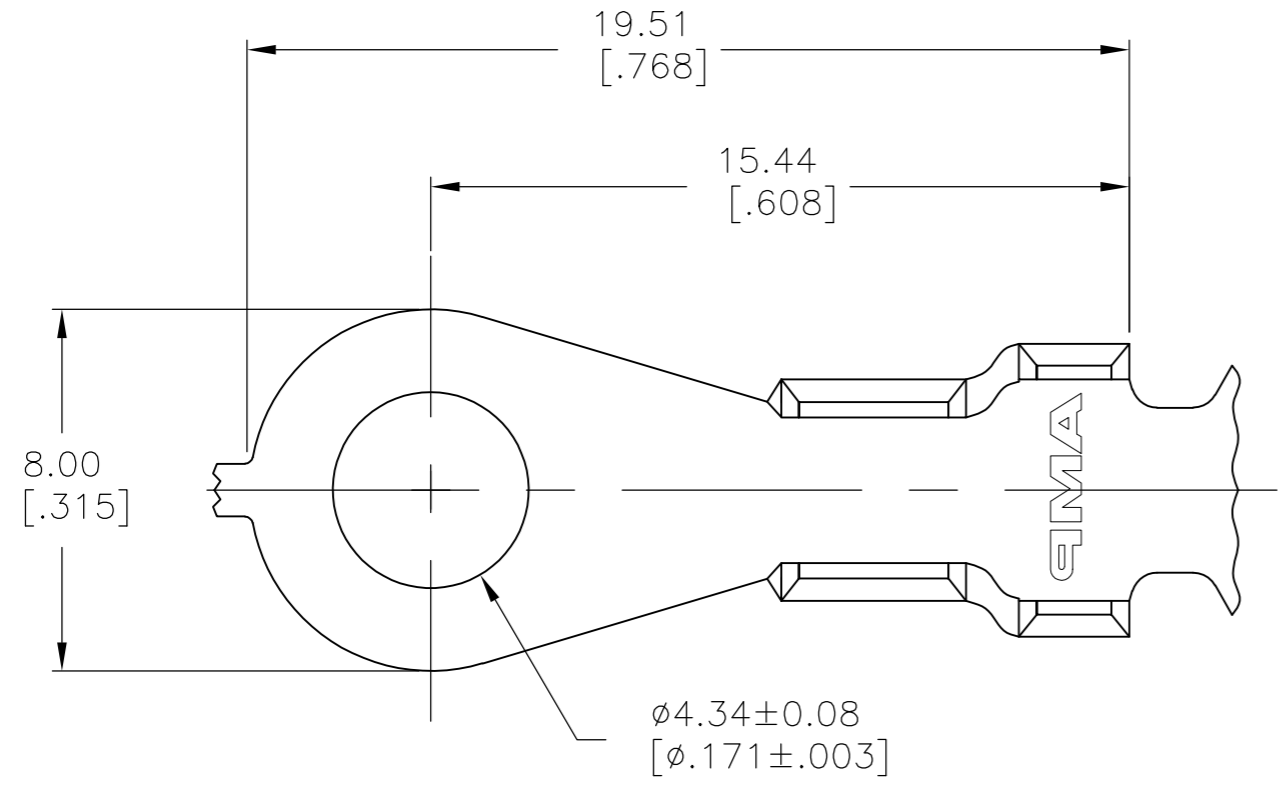


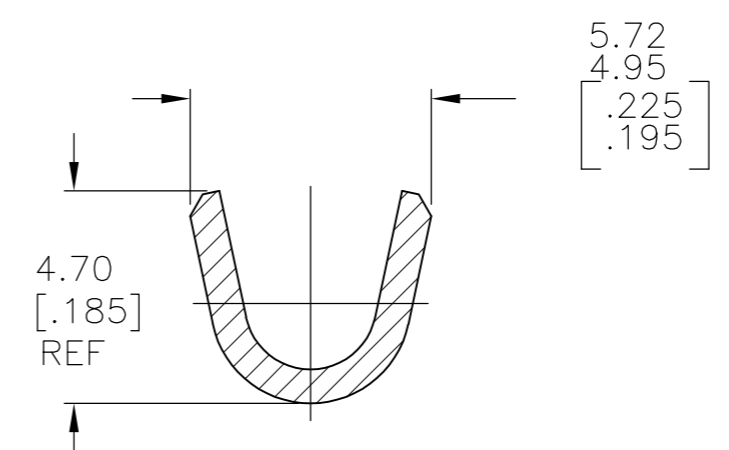
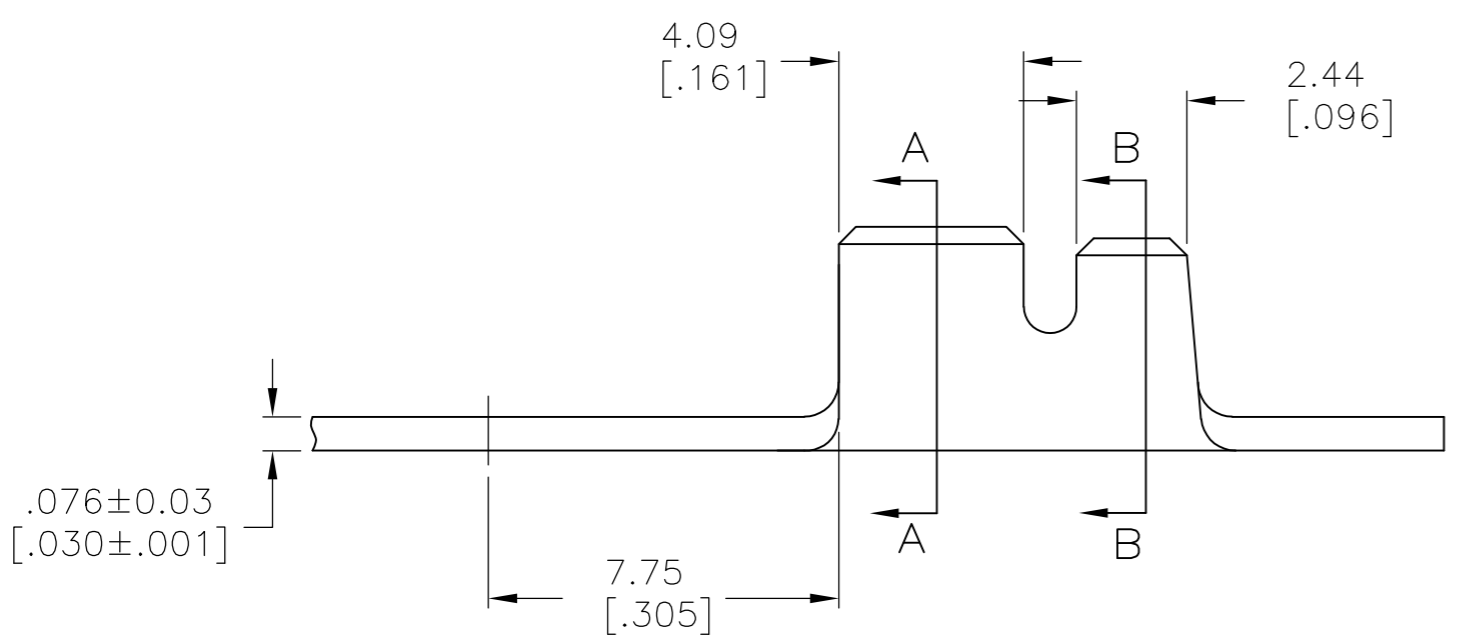
THIS DRAWING IS UNPUBLISHED. RELEASED FOR PUBLICATION  
 © COPYRIGHT BY TYCO ELECTRONICS CORPORATION. ALL RIGHTS RESERVED.

LOC	DIST	REVISIONS			
P	LTR	DESCRIPTION	DATE	DWN	APVD
AF	50	D1	REVISED PER ECR-07-030301	16MAY08	HMR JR

1 CONTINUOUS STRIP ON REELS



SECTION A-A



SECTION B-B

M4 #8	0.8-2.0 mm <sup>2</sup> [18-14]	2.54-3.56 [.100-.140]	TIN	BRASS	63170-1
STUD SIZE	WIRE RANGE	INSULATION RANGE	FINISH	MATERIAL	PART NO.

THIS DRAWING IS A CONTROLLED DOCUMENT.		DWN RAGHAVENDRA 16MAY2008	Tyco Electronics Corporation Harrisburg, PA 17105-3608		
DIMENSIONS: mm [INCHES] 		CHK JEFF RUTH 16MAY2008			
TOLERANCES UNLESS OTHERWISE SPECIFIED: 0 PLC ± - 1 PLC ± - 2 PLC ± 0.38 [.015] 3 PLC ± - 4 PLC ± - ANGLES ± 1° 0'		APVD JEFF RUTH 16MAY2008	NAME		
MATERIAL SEE TABLE		FINISH SEE TABLE	RING		
		PRODUCT SPEC -	SIZE A3		
		APPLICATION SPEC -	CAGE CODE 00779		
		WEIGHT -	DRAWING NO C-63170		
		CUSTOMER DRAWING	RESTRICTED TO -		
		SCALE 6:1	SHEET 1 OF 1		
			REV D1		