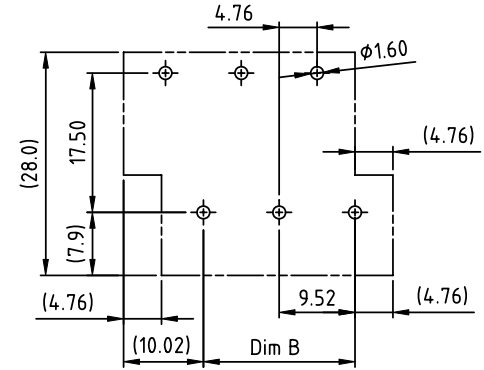
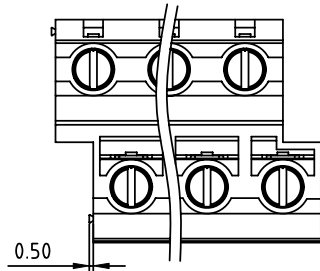
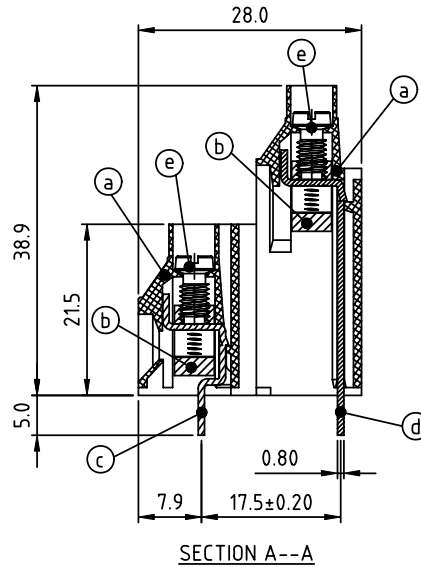
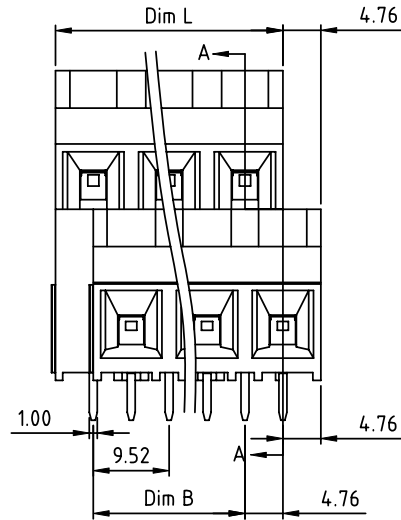


PRODUCT NUMBER	PITCH
VVxx21x000J0G	9.52 mm



RECOMMENDED P.C.B LAYOUT
TOP VIEW



SECTION A--A

- Material:
- Item (a) Terminal housing: Thermoplastic (UL 94V-0)
 - Item (b) Clamp: Brass, Ni plated
 - Item (c) Solder pin1: Copper, Tin plated
 - Item (d) Solder pin2: Copper, Tin plated
 - Item (e) Terminal screw: Steel Zinc plating"-slot type

- Electrical cULus
- Voltage rating: 300VAC
 - Current rating: 30A
 - Wire range:
 - Solid wire(AWG): 10-30
 - Stranded wire(AWG): 10-30
 - Torque(Lb-In): 5.2
 - Screw: M3.5
 - Wire strip length: 10-11mm
 - Withstanding Voltage: 1.6KV
 - Operating temperature: -40°C to +115°C
 - Soldering temperature: 260°C±5°C/5 Sec
 - Safety approval:

PART NO.: VV xx 2 1 x 0 00J0 G

DIMENSION

Dim L	N/2x9.52
Dim B	(N/2-1)x9.52

N=Number of poles

Poles	Tolerance
2x2p-2x6p	±0.20
2x7p-2x12p	±0.30
2x13p-2x16p	±0.40

End Stackable	0	Body Color	Black (RAL9005)	RoHS compliant	(lead<4%)
No. of poles	2		Red (RAL3001/D)	In copper Alloy	
04	2x2 poles	3	Orange(RAL2011/P)		
06	3x2 poles	4	Yellow(RAL1018/A)		
...	...	5	Green(RAL6018/T)		
32	16x2 poles	6	Blue (RAL5015/A)		
		8	Grey(RAL7035/D)		
		9	White(RAL1102)		
		C	Green(RAL6018/U)		

mat'l. code		surface	tolerance	projection	product family
ASME Y14.5		ASME Y14.5	ASME Y14.5		TERMINAL BLOCK
ltr		tolerances unless otherwise specified		MM	title
ecn	no	dr	date	scale	TERMINAL BLOCK
					ISING CLAMP, 180D WIRE INLET, END STACKABLE
angles	0				dwg no
0					sheet 1 of 1
X±1°					size
		dr	EVIN ZHONG	041414	VVxx21x000J0G
		enr	EVIN ZHONG	041414	A4
		chr	HANKE FENG	041414	type
		appd	SHI JUN	041414	CUSTOMER Drawing
sheet index	revision	A			
	sheet	1			