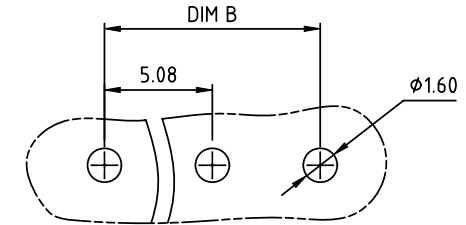
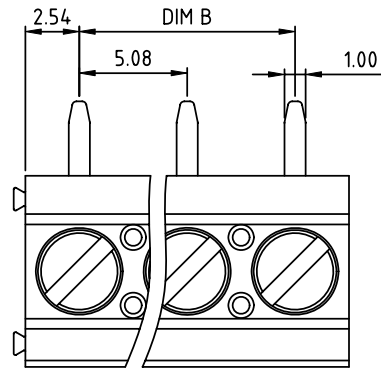
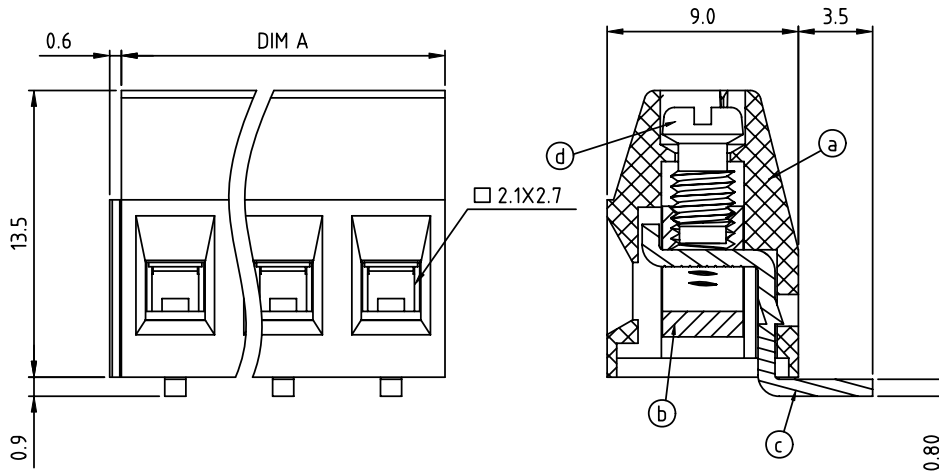


PRODUCT NUMBER	PITCH
Vlxx21x000J0G	5.08 mm



RECOMMENDED P.C.B LAYOUT



Material:

- Item (a) Terminal housing :Thermoplastic (UL 94V-0)
- Item (b) Clamp : Brass ,Ni plated
- Item (c) Solder pin :Brass ,Tin plated
- Item (d) Terminal screw: Steel Zinc plating"-slot type

Electrical cULus/FIMKO

- Voltage rating: 300VAC/300VAC
- Current rating: 16A/17.5A
- Wire range: 0.5 ~ 1.5mm²
- Solid wire(AWG): 12-28
- Stranded wire(AWG): 12-28
- Torque: 3.5Lb-In./0.5Nm
- Screw: M3
- Wire strip length: 6-7mm
- Withstanding Voltage: 1.6KV/2.5KV
- Operating temperature: -40°C to +115°C
- Soldering temperature: 260°C±5°C/5 Sec
- Safety Approval:

Dimension

DIM A	N×5.08
DIM B	(N-1)×5.08

N=Number of poles

POLES	Tolerance
2p-6p	±0.15
7p-12p	±0.25
13p-16p	±0.35
17p-24p	±0.40

PART NO.: VI xx 2 1 x 0 00J0 G

End stackable	0	Color	Black (RAL9005)	RoHS compliant	(lead<4%)
No. of poles	2		Red (RAL3001/D)	In copper Alloy	
02	2 poles	3	Orange(RAL2011/P)		
03	3 poles	4	Yellow(RAL1018/A)		
...	...	5	Green(RAL6018/T)		
24	24 poles	6	Blue (RAL5015/A)		
		8	Grey(RAL7035/D)		
		9	White(RAL1102)		
		C	Green(RAL6018/U)		

mat'l. code				surface ASME Y14.5	tolerance ASME Y14.5	projection	product family
itr ecn no dr date				tolerances unless otherwise specified			TERMINAL BLOCK
				angles	X.±0.5	MM	title
				±	X.X±0.3		TERMINAL BLOCK
				X*±1"	X.XX±0.1	scale	RISING CLAMP,90D WIRE INLET,END STACKABLE
				dr	EVIN ZHONG 040914		dwg no
				enr	EVIN ZHONG 040914		sheet 1 of 1
				chr	HANKE FENG 040914		size
				appd	SHI JUN 040914		A4
sheet index				revision	A	type	
				sheet	1	CUSTOMER Drawing	