

DO NOT
SCALE FROM
THIS PRINT

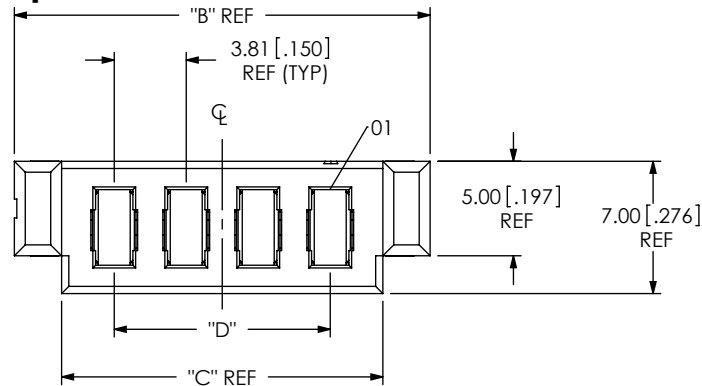
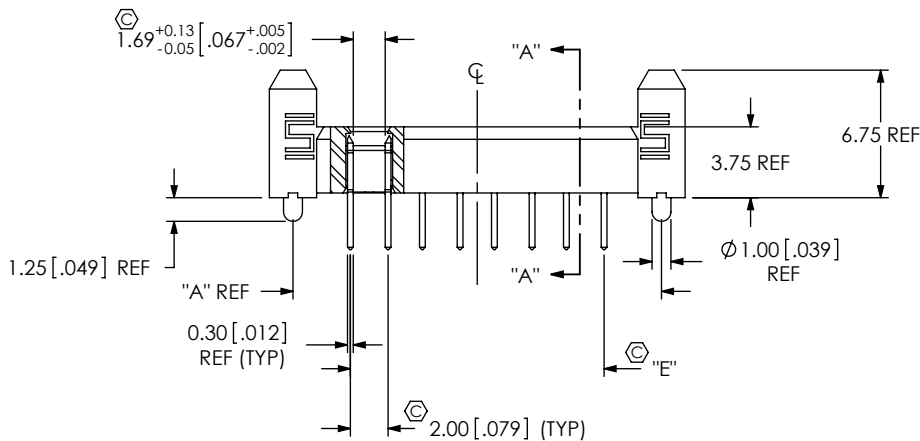


FIG 1
(UPS-04-04.0-01-X-V SHOWN)



UPS-XX-XX.X-XX-X-XX-XX-XX

No. OF POSITIONS
-02: 2 POSITIONS
-04: 4 POSITIONS
-06: 6 POSITIONS
-08: 8 POSITIONS

HEIGHT
-04.0: (USE SUB-C-258-04.0-XX-X)
(SEE FIG. 1)
-07.0: (USE SUB-C-258-07.0-XX-X)
(SEE FIG. 2)

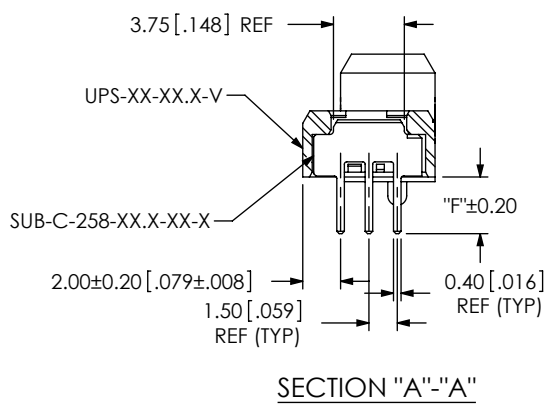
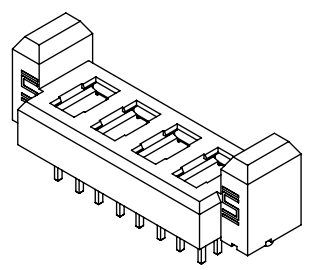
TAIL LENGTH
-01: FOR 1.57 [.062] THICK PCB (SEE FIG. 1)
(USE SUB-C-258-XX.XX-01-X)
-02: FOR 2.36 [.093] THICK PCB (SEE FIG. 2)
(USE SUB-C-258-XX.XX-02-X)
-03: PRESS-FIT FOR 1.57 [.062] THICK PCB AND UP
(USE SUB-C-341-XX.X-X) (SEE FIG. 3)
(ONLY AVAILABLE WITH -PV)
(SEE NOTE 7)

OPTION
-TR: TAPE & REEL

OPTION
-LC: LOCKING CLIP
(ONLY AVAILABLE WITH -V)

TAIL OPTION
-V: VERTICAL
-PV: PRESS-FIT VERTICAL
(ONLY AVAILABLE ON -03
TAIL LENGTH)

PLATING
-L: 10 μm SELECTIVE GOLD IN
CONTACT AREA, MATTE TIN ON TAIL
-T: MATTE TIN CONTACT AND TAIL
(ONLY AVAILABLE WITH -PV)



SECTION "A"- "A"

- NOTES:
- ⊗ REPRESENTS A CRITICAL DIMENSION.
 - BURR ALLOWANCE: 0.038 [.0015] MAX.
 - MINIMUM PUSHOUT FORCE: 4.45N [1.0 LB].
 - MAXIMUM BOW: 0.15 [.006].
 - MINIMUM -LC PULL OUT FORCE: 2.23 N [0.5 LB]
 - PARTS TO BE PACKAGED IN TUBES.
 - APPLICATION TOOLING REQUIRED FOR PV TAIL LENGTH. CONTACT IPG. FLAT BAR TOOLING FOR THE UPPER TOOL MAY BE USED. REFERENCE DIMENSION "C" MINUS 1.25MM FOR LENGTH, 7.00MM FOR WIDTH, AND 3.5MM FOR HEIGHT.

TABLE 2

TAIL LENGTH	"F"
-01	3.00 [.118]
-02	3.75 [.148]
-03	2.39 [.094]

TABLE 1

PART NUMBER	"A"	"B"	"C"	"D"	"E"
UPS-02-XX.X-XX-X-XX-XX	11.88 [.468]	14.38 [.566]	9.38 [.369]	3.81 [.150]	5.82 [.229]
UPS-04-XX.X-XX-X-XX-XX	19.50 [.768]	22.00 [.866]	17.00 [.669]	11.43 [.450]	13.44 [.529]
UPS-06-XX.X-XX-X-XX-XX	27.12 [1.068]	29.62 [1.166]	24.62 [.969]	19.05 [.750]	21.06 [.829]
UPS-08-XX.X-XX-X-XX-XX	34.74 [1.368]	37.24 [1.466]	32.24 [1.269]	26.67 [1.050]	28.68 [1.129]

UNLESS OTHERWISE SPECIFIED,
DIMENSIONS ARE IN MILLIMETERS.
TOLERANCES ARE:
DECIMALS ANGLES
X.X: ±0.3 [.01] 2°
X.XX: ±0.13 [.005]
X.XXX: ±0.051 [.0020]

PROPRIETARY NOTE
THIS DOCUMENT CONTAINS INFORMATION
CONFIDENTIAL AND PROPRIETARY TO
SAMTEC, INC. AND SHALL NOT BE REPRODUCED
OR TRANSFERRED TO OTHER DOCUMENTS OR
DISCLOSED TO OTHERS OR USED FOR ANY
PURPOSE OTHER THAN THAT WHICH IT WAS
OBTAINED WITHOUT THE EXPRESSED WRITTEN
CONSENT OF SAMTEC, INC.

520 PARK EAST BLVD, NEW ALBANY, IN 47150
PHONE: 812-944-6733 FAX: 812-948-5047
e-Mail: info@SAMTEC.com code: 55322

MATERIAL: DO NOT SCALE DRAWING
INSULATOR: LCP, COLOR: BLACK
CONTACT: BeCu
LOCKING CLIP: PHOS BRONZE

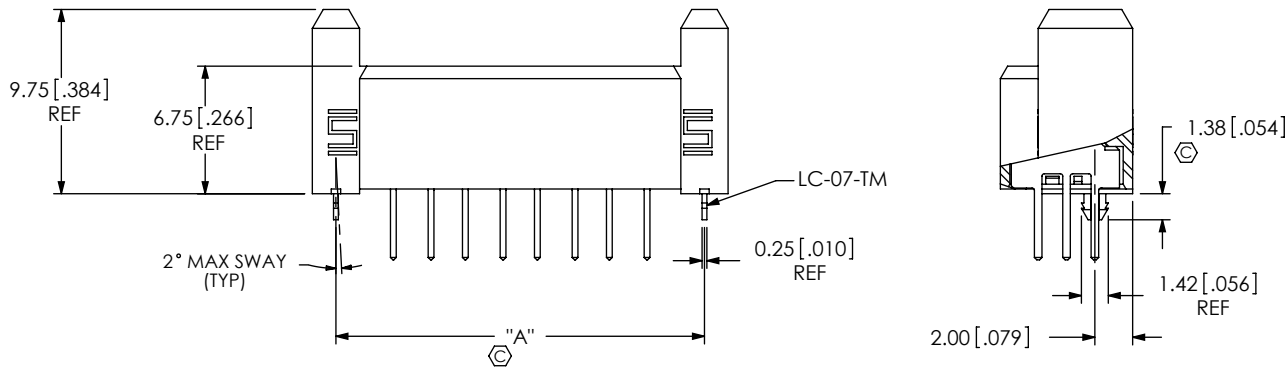
SHEET SCALE: 2:51

DESCRIPTION:
UPS-V, ASSEMBLY

DWG. NO.
UPS-XX-XX.X-XX-X-XX-XX-XX

BY: B RAY 07-12-2010 SHEET 1 OF 2

FIG 2
(UPS-04-07.0-02-X-V-LC SHOWN)
(SAME AS FIG. 1 EXCEPT AS SHOWN)



PACKAGING VIEW
(ASSEMBLIES TO HAVE POSITION #T LOADED IN
THE SAME DIRECTION AS ARROW ON TUBE)

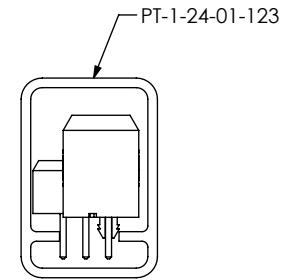
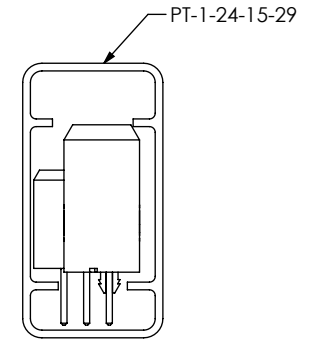
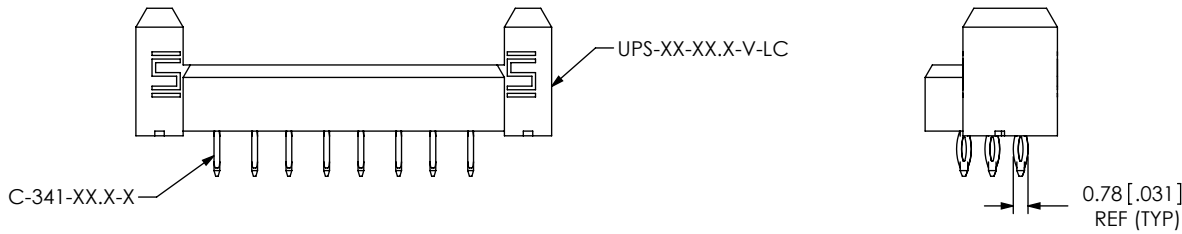


FIG 3
(UPS-04-04.0-03-X-PV SHOWN)
(SAME AS FIG. 1 EXCEPT AS SHOWN)



PACKAGING TABLE		
HEIGHT	PACKAGING TUBE	PLUG
-04	PT-1-24-01-123	TP-07
-07	PT-1-24-15-29	TP-07

PLATING	POWER PIN CONTACT AREA	POWER PIN TAIL
-L	LIGHT GOLD	MATTE TIN
-T	MATTE TIN	MATTE TIN

PROPRIETARY NOTE
THIS DOCUMENT CONTAINS INFORMATION
CONFIDENTIAL AND PROPRIETARY TO
SAMTEC, INC. AND SHALL NOT BE REPRODUCED
OR TRANSFERRED TO OTHER DOCUMENTS OR
DISCLOSED TO OTHERS OR USED FOR ANY
PURPOSE OTHER THAN THAT WHICH IT WAS
OBTAINED WITHOUT THE EXPRESSED WRITTEN
CONSENT OF SAMTEC, INC.

DO NOT SCALE DRAWING

SHEET SCALE: 3:1

samtec

520 PARK EAST BLVD, NEW ALBANY, IN 47150
PHONE: 812-944-6733 FAX: 812-948-5047
e-Mail: info@SAMTEC.com code: 55322

DESCRIPTION:

UPS-V, ASSEMBLY

DWG. NO.

UPS-XX-XX.X-XX-X-XX-XX-XX

BY: B RAY

07-12-2010

SHEET 2 OF 2