

Ultra compact and efficient 2-stage filter in ECO design for 3-phase systems



Description

- High attenuation value

Standards

- IEC 60939
- UL 1283, Edition 5, CSA 22.2 No. 8-M1986, @ Ta 40 °C

Approvals

- VDE Certificate Number: 40023521
- UL File Number: E72928

Applications

- Voltage rating 480 VAC for world wide acceptance
- Especially designed for industrial applications such as: Frequency Converters, Stepper Motor Drives, UPS-Systems, Inverters
- Suitable for use in equipment according to IEC/UL 60950

Weblinks

[pdf datasheet](#), [html-datasheet](#), [General Product Information](#), [Approvals](#), [CE declaration of conformity](#), [RoHS](#), [CHINA-RoHS](#), [REACH](#), [Distributor-Stock-Check](#), [Detailed request for product](#)

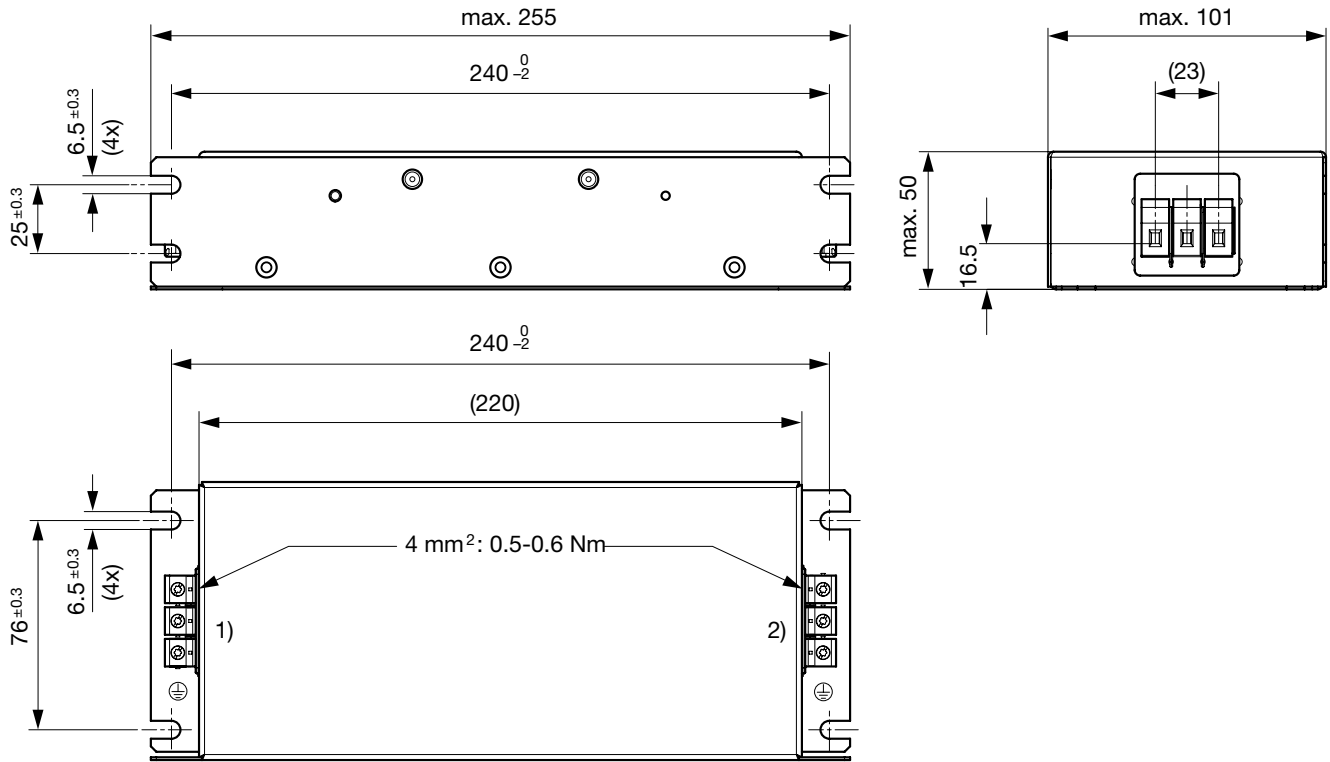
Technical Data

Rated Current	10 - 115A	Mounting	Screw-on mounting on chassis, upright or lengthwise
Rated voltage	480VAC, 50/60 Hz	Terminal	Bolts and nuts
Approval for	10 - 115A @ Ta 40 °C / 480VAC; 50/60Hz	Operating Temperature	-25 °C to 100 °C
Overload Current	1.5 x Ir	Climatic Category	25/100/21 acc. to IEC 60068-1
Leakage Current	standard < 0.5 mA (440V / 50Hz)	Degree of Protection	IP 20 acc. to IEC 60529
Dielectric Strength	480VAC: > 2.25kVDC between L-L > 3kVDC between L-PE	Protection Class	Suitable for appliances with protection class I acc. to IEC 61140
Number of Filter Stages	2-stage	MTBF	> 200'000h acc. to MIL-HB-217 F
Weight	1.1 - 5 kg		
Material: Housing	Aluminum		
Sealing Compound	UL 94V-0		

Detailed information on product approvals, code requirements, usage instructions and detailed test conditions can be looked up in [General Product Information](#)

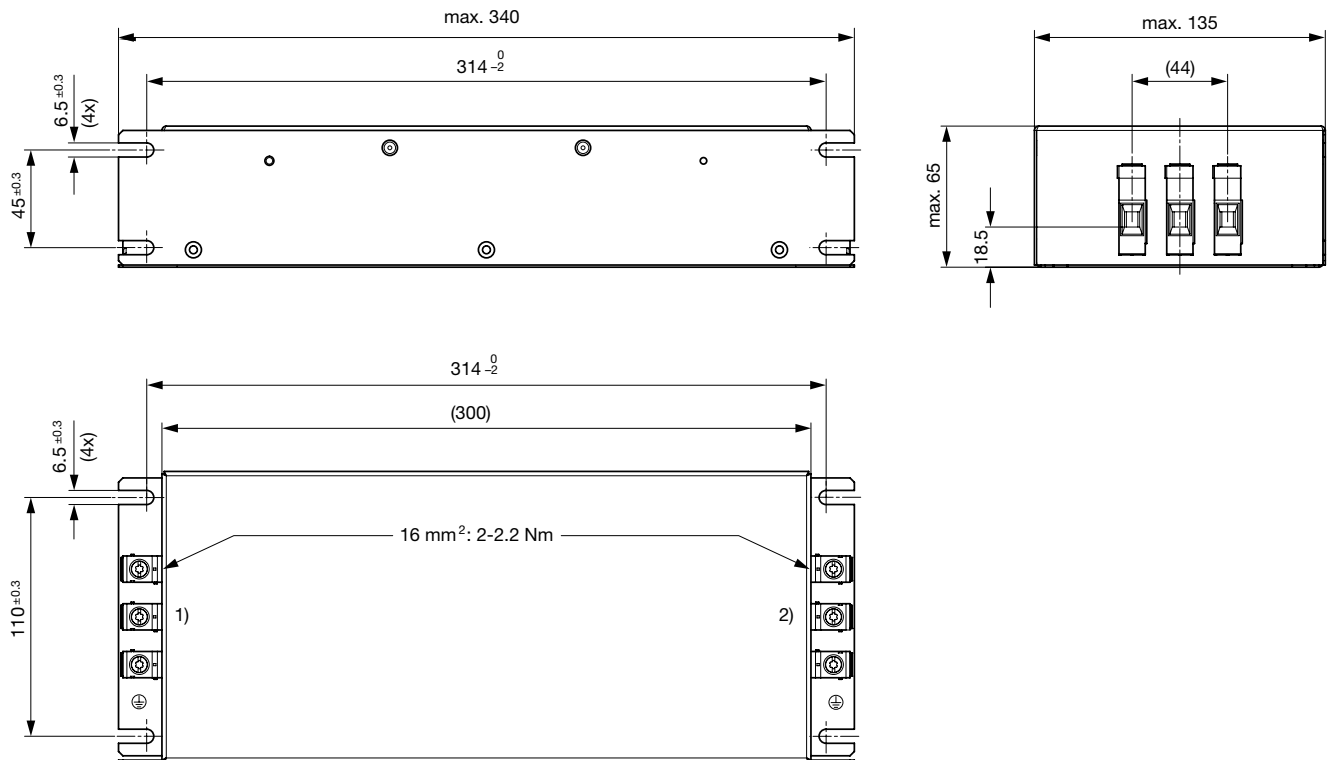
Dimension

Case 94



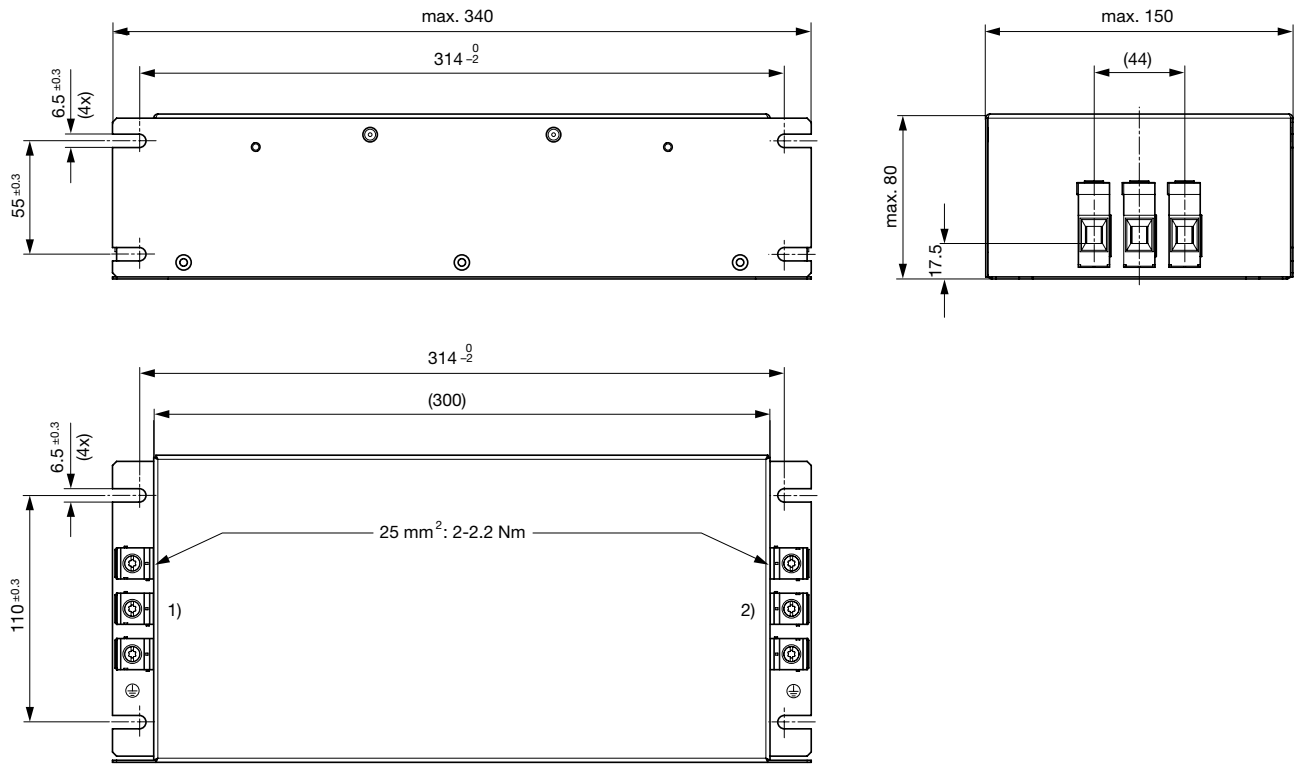
1) Line
2) Load

Case 95



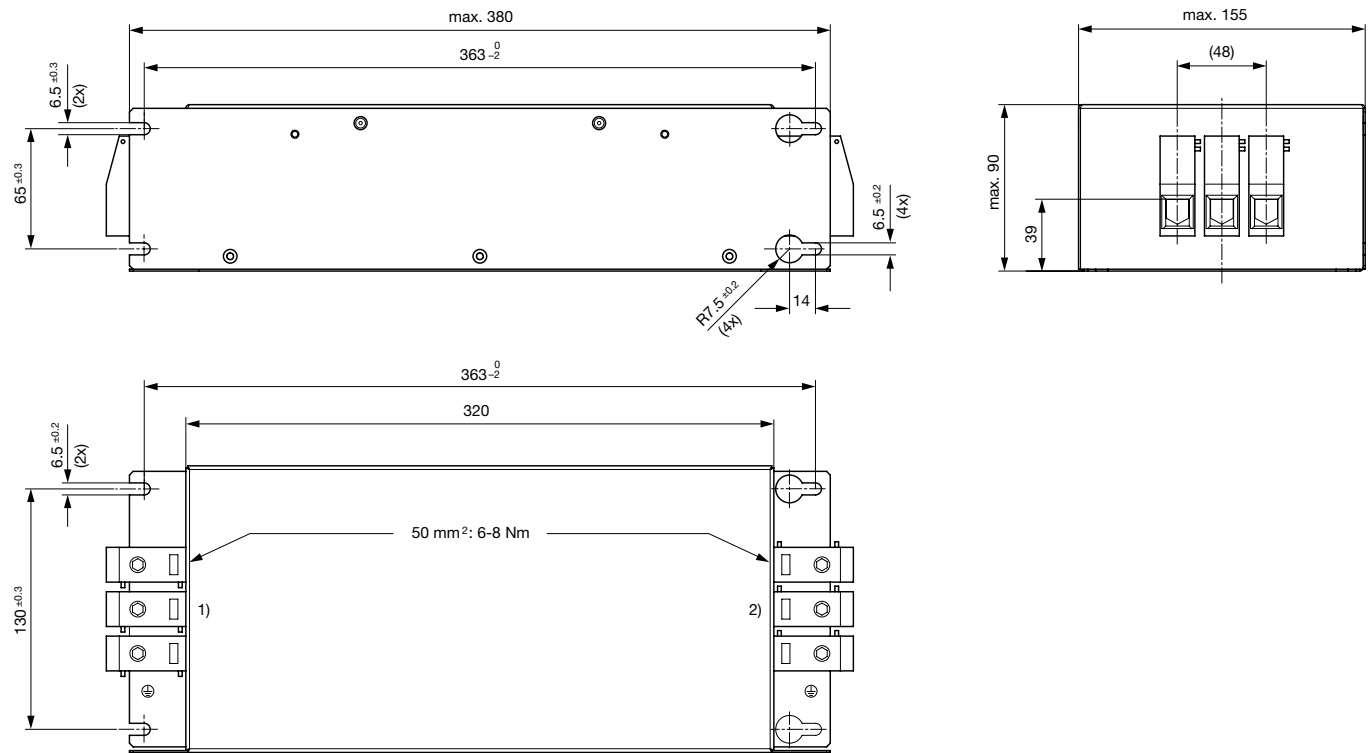
1) Line
2) Load

Case 96



- 1) Line
- 2) Load

Case 97

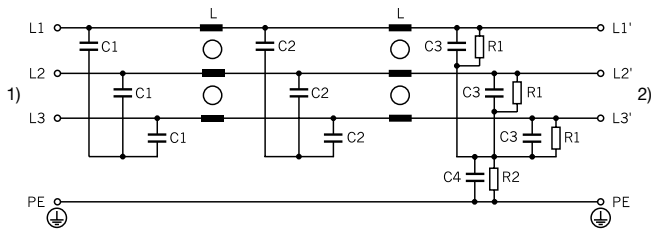


- 1) Line
- 2) Load

Technical data to the filter components

Rated Current [A]	L [mH]	C1 [μF]	C2 [μF]	C3 [μF]	C4 [nF]	R1 [MΩ]	R2 [MΩ]	Netzfilter Aus-
10	2.3	1	1	1	10	1	1	Indus-
20	1.5	1	1	1	10	1	1	Indus-
36	0.9	1	1	2.2	47	1	2.2	Indus-
50	0.45	1	1	2.2	47	1	2.2	Indus-
66	0.45	1	1	2.2	47	1	2.2	Indus-
80	0.32	1	1	2.2	47	1	2.2	Indus-
115	0.24	1	2.2	2.2	100	1	2.2	Indus-

Diagrams



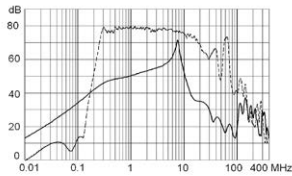
1) Line
2) Load

Attenuation Loss

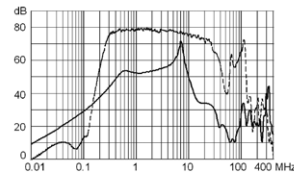
Industrial version

--- 50Ω differential mode ____ 50Ω common mode

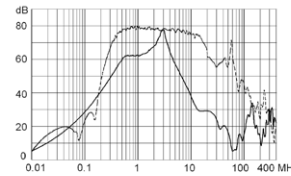
10A (FMBC-0994-1000)



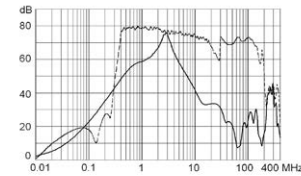
20A (FMBC-0994-2000)



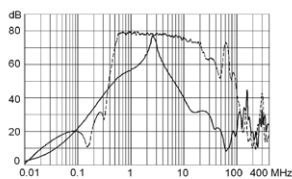
36A (FMBC-0995-3600)



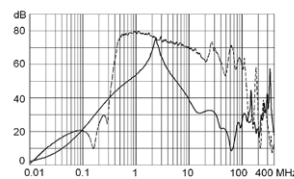
50A (FMBC-0996-5000)



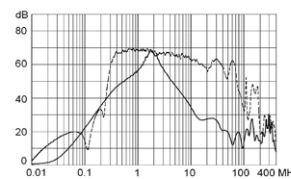
66A (FMBC-0996-6600)



80A (FMBC-0996-8000)



115A (FMBC-0997-H115)



All Variants

Rated Current @ Ta 50°C (75°C) [A]	Tripped Power Dissipation [W]	Contact Resistance [mΩ]	Leakage Current [mA] @ 440V,	Weight [kg]	Screw clamps	Housings	Packaging unit [PCS]	Order Number
10	4	37	0.04	1.1 kg	4	94	1	FMBC-0994-1000
20	9	20	0.04	1.6 kg	4	94	1	FMBC-0994-2000
36	5	3.5	0.2	2.2 kg	16	95	1	FMBC-0995-3600
50	20	7.5	0.2	2.7 kg	16	95	1	FMBC-0995-5000
66	22	4.5	0.2	3.4 kg	25	96	1	FMBC-0996-6600
80	24	3.5	0.2	3.4 kg	25	96	1	FMBC-0996-8000
115	36	2.5	0.4	5 kg	50	97	1	FMBC-0997-H115

Most Popular.

Availability for all products can be searched real-time: <http://www.schurter.com/en/Stock-Check/Stock-Check-SCHURTER>

Rated Current @ Ta 50°C (75°C) [A]	Tripped Power Dissipation [W]	Contact Resistance [mΩ]	Leakage Current [mA] @ 440V,	Weight [kg]	Screw clamps	Housings	Packaging unit [PCS]	Order Number
---------------------------------------	-------------------------------	-------------------------	------------------------------	-------------	--------------	----------	----------------------	--------------

1) Nominal leakage current acc. to IEC60950 - 5.2.5. under normal operating conditions. Note: worst case leakage current acc. to IEC60950 - Annex G4 (situation with two interrupted lines) can be much higher.

2) Maximum conductor cross section (wire gauge) to be used; a comparative table for AWG and mm² values can be found in the general product information www.schurter.com/emc_info

Packaging unit 1 Pcs
