

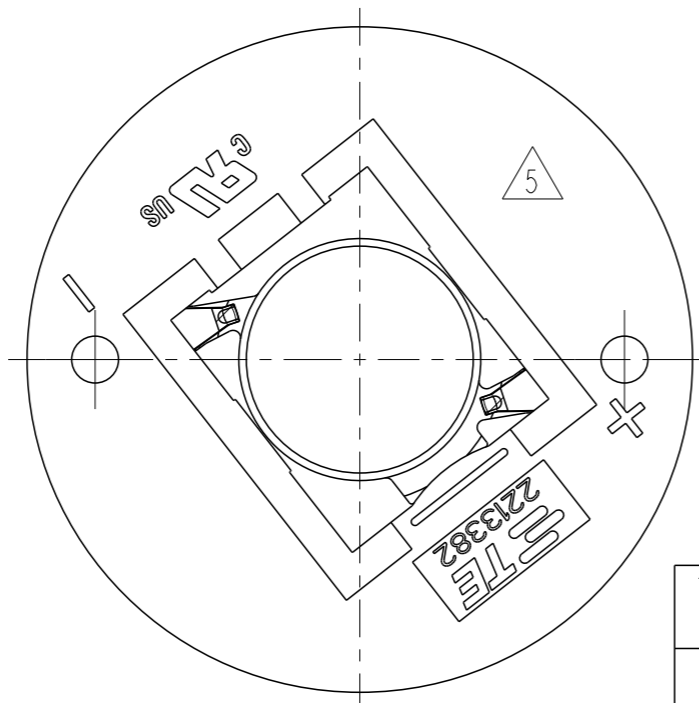
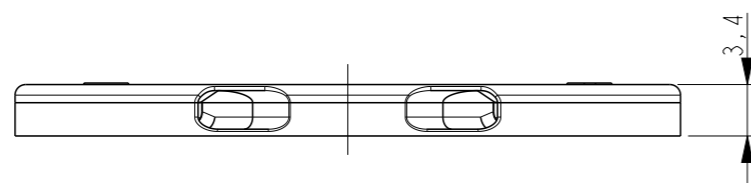
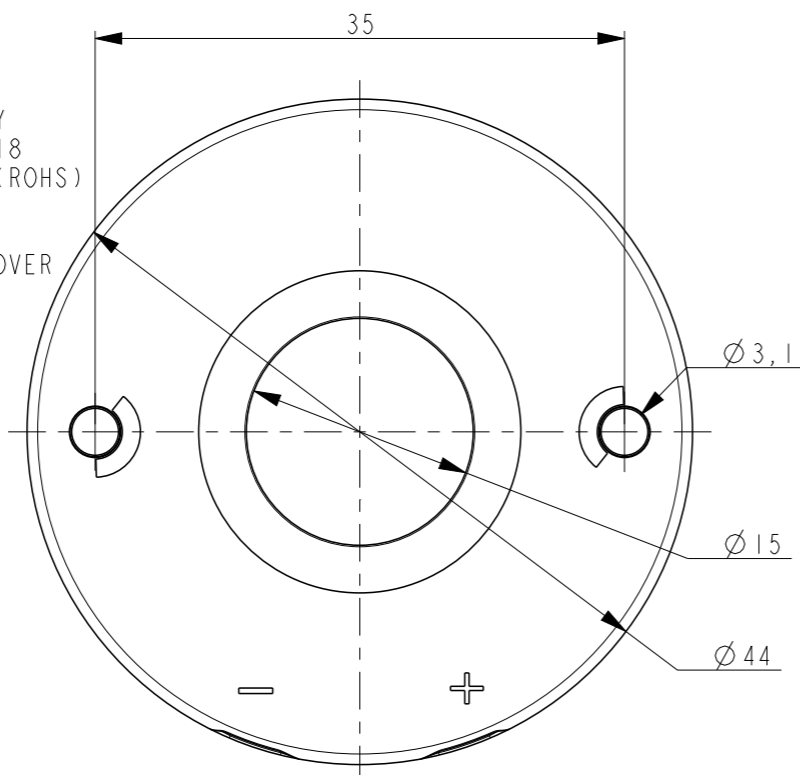
REVISIONS

P	LTR	DESCRIPTION	DATE	DWN	APVD
A1		ADDED PACKAGING VARIANT	26 AUG'14	MVE	OL
A2		ECR-15-010267	08JUL2015	KR	MVE
A3		ECR-16-001206	27JAN2016	KR	MvE
A4		ADDED RELEASED LEDS	25JAN2017	KR	MvE

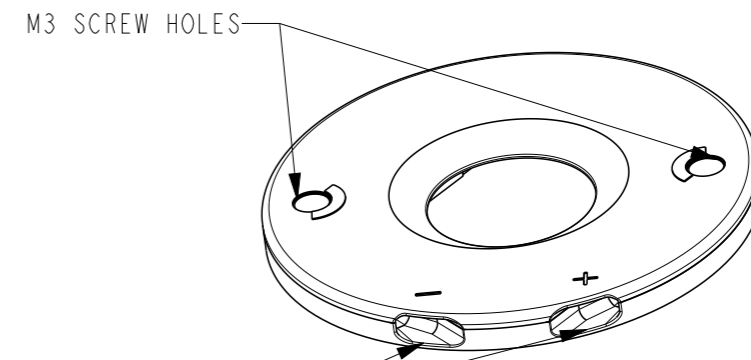
NOTES:

1. MATERIALS:
HOUSING: GLASS FILLED PBT
COLOR : NATURAL/WHITE
CONTACTS: SILVER PLATED COPPER ALLOY
2. FOR SOLID AND STRANDED WIRE AWG 22-18
3. COMPLIES WITH DIRECTIVE 2002/95/EC (ROHS)
4. M3 SCREW TO BE USED FOR MOUNTING

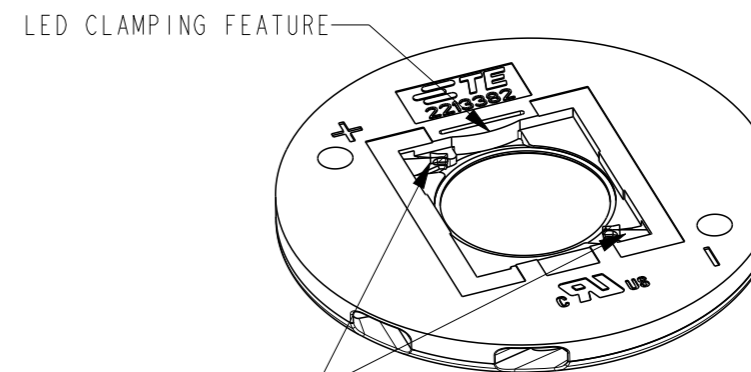
5. DATE CODE YY-WW-D ANY WHERE EXCEPT OVER LOGO OR +/- SIGN.




2213382-1 AS SHOWN
LUMAWISE LED HOLDER Z50 LOW PROFILE



SCALE 3:2



DESCRIPTION	PART NO	PACKAGING
LUMAWISE LED HOLDER Z50 LOW PROFILE 1619	2-2213382-1	2x10 PIECES IN TRAY AND BOX 25 BOXES IN SHIPPING BOX
LUMAWISE LED HOLDER Z50 STANDARD PROFILE 1619	1-2213382-2	2x10 PIECES IN TRAY AND BOX 25 BOXES IN SHIPPING BOX
LUMAWISE LED HOLDER Z50 LOW PROFILE 1619	1-2213382-1	2x10 PIECES IN TRAY AND BOX 25 BOXES IN SHIPPING BOX
LUMAWISE LED HOLDER Z50 STANDARD PROFILE 1619	2213382-2	5x4 PIECES IN TRAY 25 TRAYS IN SHIPPING BOX
LUMAWISE LED HOLDER Z50 LOW PROFILE 1619	2213382-1	5x4 PIECES IN TRAY 35 TRAYS IN SHIPPING BOX

THIS DRAWING IS A CONTROLLED DOCUMENT.		DWN YASHKUMAR 31AUG2013	 TE Connectivity											
DIMENSIONS: mm		CHK M.V.ESSSEN 31AUG2013												
TOLERANCES UNLESS OTHERWISE SPECIFIED:		APVD O.I.FIUNSE 31AUG2013												
<table border="1"> <tr><td>0 PLC</td><td>±-</td></tr> <tr><td>1 PLC</td><td>±-</td></tr> <tr><td>2 PLC</td><td>±-</td></tr> <tr><td>3 PLC</td><td>±-</td></tr> <tr><td>4 PLC</td><td>±-</td></tr> <tr><td>ANGLES</td><td>±-</td></tr> </table>		0 PLC		±-	1 PLC	±-	2 PLC	±-	3 PLC	±-	4 PLC	±-	ANGLES	±-
0 PLC	±-													
1 PLC	±-													
2 PLC	±-													
3 PLC	±-													
4 PLC	±-													
ANGLES	±-													
MATERIAL	FINISH	APPLICATION SPEC 114-32048	NAME LUMAWISE LED HOLDER Z50 1619											
-	-	WEIGHT -	SIZE A3											
-	-	Customer Drawing	CAGE CODE -											
		SCALE 2:1	DRAWING NO C-2213382											
		SHEET 1 OF 3	RESTRICTED TO -											
		REV A4												

4

3

2

1

THIS DRAWING IS UNPUBLISHED.

RELEASED FOR PUBLICATION

20

© COPYRIGHT 20

BY -


ALL RIGHTS RESERVED.

REVISIONS

P	LTR	DESCRIPTION	DATE	DWN	APVD
-	-	SEE SHEET 1	-	-	-

SCALE 3:2

2213382-2 AS SHOWN
LUMAWISE LED HOLDER Z50 STANDARD PROFILE

THIS DRAWING IS A CONTROLLED DOCUMENT.		DWN YASHKUMAR 31AUG2013	 TE Connectivity	
DIMENSIONS: mm		CHK M.V.ESSSEN 31AUG2013		
TOLERANCES UNLESS OTHERWISE SPECIFIED:		APVD O.I.FIUNSE 31AUG2013	NAME LUMAWISE LED HOLDER Z50 1619	
0 PLC ±- 1 PLC ±- 2 PLC ±- 3 PLC ±- 4 PLC ±- ANGLES ±-		PRODUCT SPEC 108-133008	RESTRICTED TO	
MATERIAL		APPLICATION SPEC 114-32048	SIZE A3	CAGE CODE -
FINISH		WEIGHT -	DRAWING NO C-2213382	RESTRICTED TO -
		Customer Drawing	SCALE 2:1	SHEET 2 OF 3
				REV A4

1470-19 (3/13)

4

3

2

1

THIS DRAWING IS UNPUBLISHED.

RELEASED FOR PUBLICATION

20

© COPYRIGHT 20

BY -

ALL RIGHTS RESERVED.

REVISIONS

P	LTR	DESCRIPTION	DATE	DWN	APVD
	-	SEE SHEET 1	-	-	-

THE SKETCH BELOW IS SHOWING THE NOMINAL LED COB DIMENSIONS TO MATCH WITH THE Z50 LED HOLDER 1619
FOR TECHNICAL DETAILS ABOUT A PROPER MATCH WITH A SPECIFIC LED COB ARRAY PLEASE CONTACT A REPRESENTATIVE AT TE-CONNECTIVITY

FOLLOWING LED TYPES ARE RELEASED FOR THIS HOLDER	DATA SHEET	REVISION
LUMILEDS 1203	DS115	
LUMILEDS 1202		
LUMILEDS 1203 CRSP		
LUMILEDS 1202 CRSP		
NICHIA L066	STS-DA1-2675A	
NICHIA L036A	STS-DA1-2675A	
NICHIA L121A	STS-DA7-3992	
SAMSUNG LC040C		REV. 2.1 2016.6.20

THIS DRAWING IS A CONTROLLED DOCUMENT.

DIMENSIONS:
mm

TOLERANCES UNLESS OTHERWISE SPECIFIED:

0 PLC	±-
1 PLC	±-
2 PLC	±-
3 PLC	±-
4 PLC	±-
ANGLES	±-

MATERIAL

-

FINISH

-

DWN 31AUG2013

YASHKUMAR

CHK 31AUG2013

M.V.ESSEN

APVD 31AUG2013

O.I.FIJNSE

PRODUCT SPEC
108-133008APPLICATION SPEC
114-32048

WEIGHT

-

NAME

LUMAWISE LED HOLDER Z50 1619

SIZE

A3

CAGE CODE

-

DRAWING NO

C-2213382

RESTRICTED TO

-

Customer Drawing

SCALE 2:1

SHEET 3 OF 3

REV A4

1470-19 (3/13)