

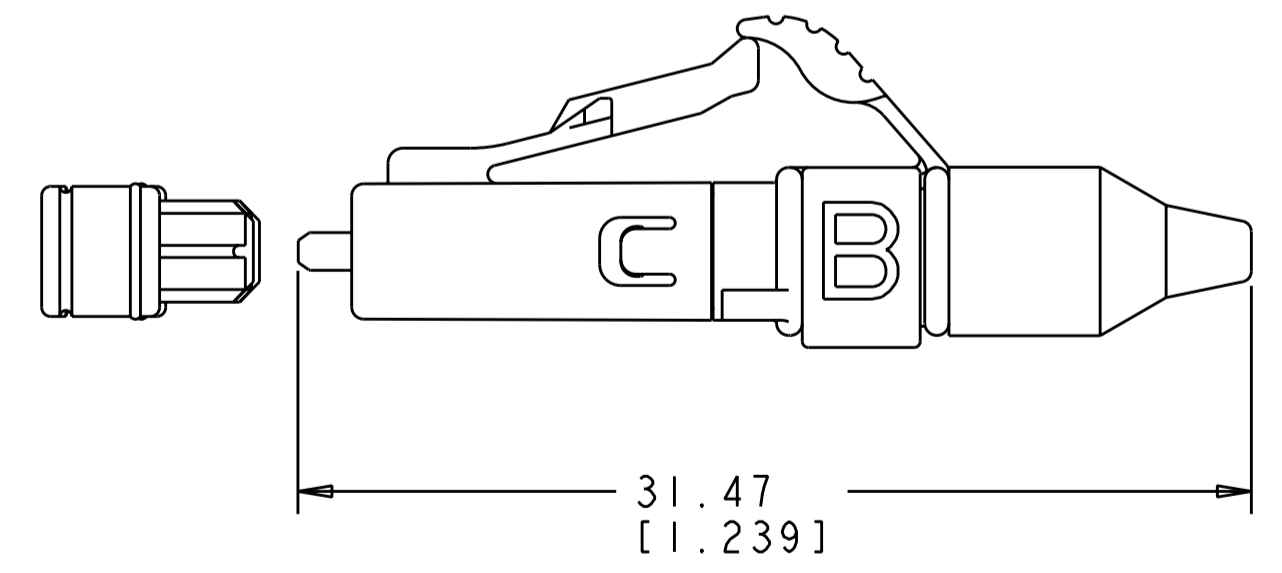
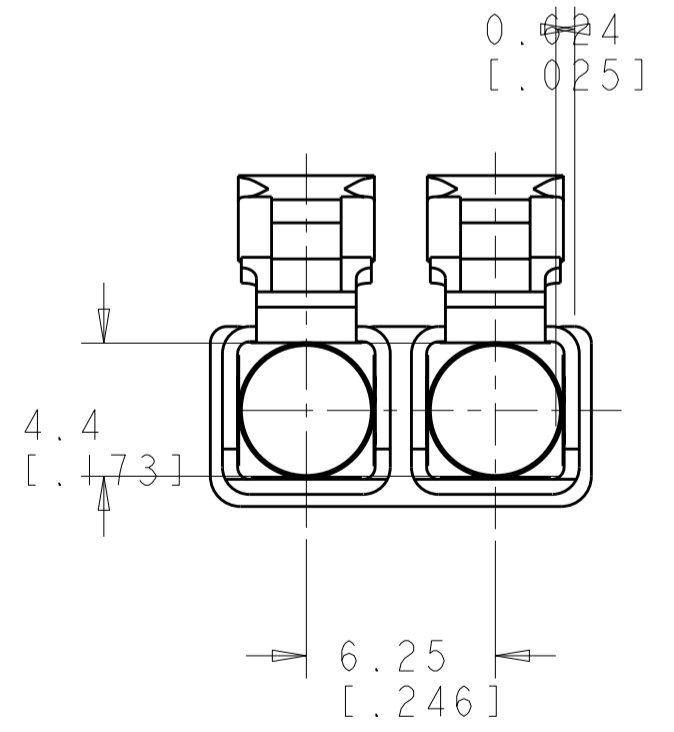
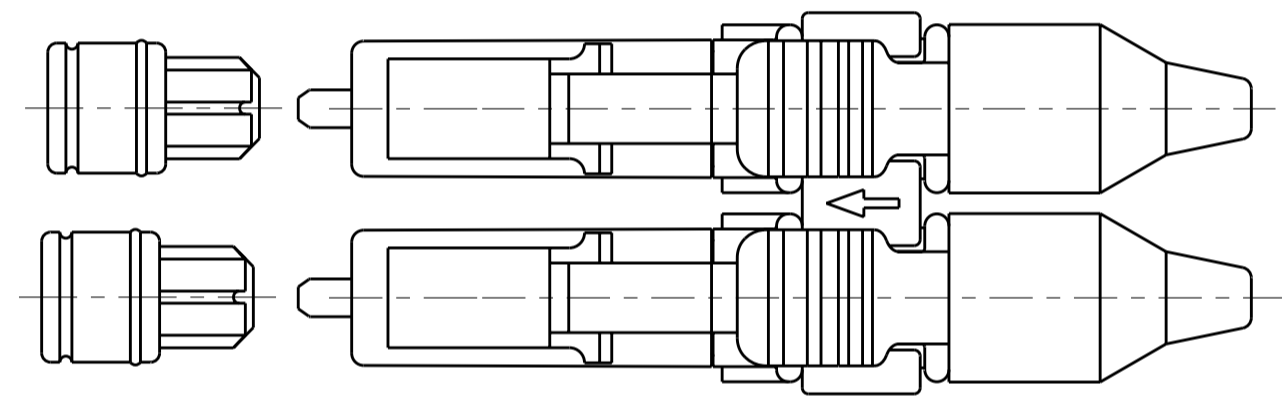
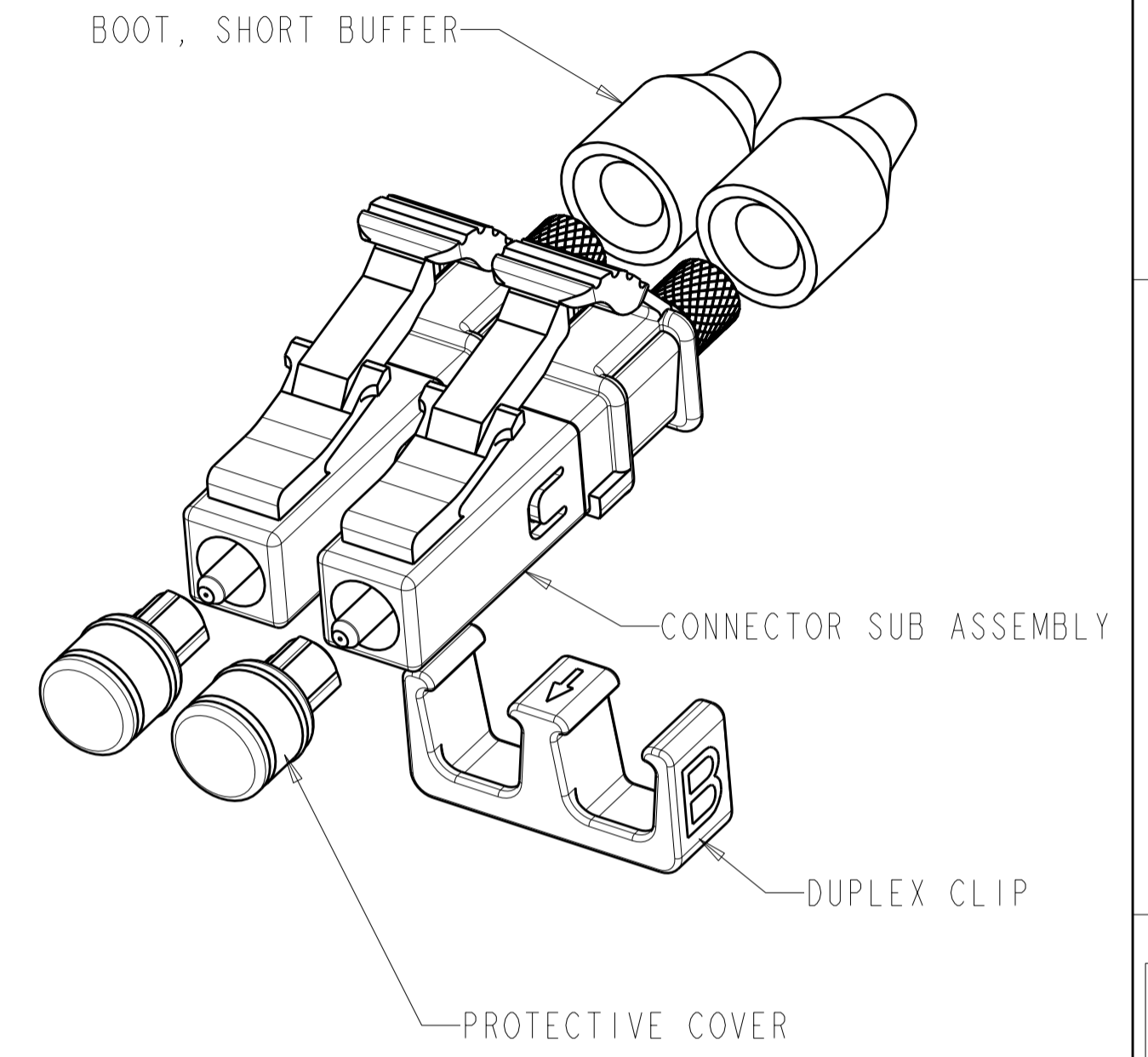
THIS DRAWING IS UNPUBLISHED. RELEASED FOR PUBLICATION 20
 © COPYRIGHT 20 BY TYCO ELECTRONICS CORPORATION. ALL RIGHTS RESERVED.

| LOC | DIST | REVISIONS | | | |
|-----|------|-------------|--------------------------|-----------|--------|
| P | LTR | DESCRIPTION | DATE | DWN | APVD |
| CE | 00 | A | RELEASE TO ACTIVE STATUS | 09JUN2006 | ESM DR |

⚠ MATERIAL: PROTECTIVE COVER : TPE, COLOR:BLACK, UL 94 HB. *
 FERRULE SUB ASSEMBLY: ZIRCONIA/METAL.
 COMPRESSION SPRING: STAINLESS STEEL.
 FRONT HOUSING: PEI, COLOR:BEIGE, UL 94 V-0. *
 INNER TUBING: PTFE, COLOR:CLEAR, UL VW-1.
 REAR BODY: PEI/METAL, COLOR:BEIGE, UL 94 V-0. *
 DUPLEX CLIP: PEI, COLOR:BEIGE, UL 94 V-0.*
 BOOT: TPE, COLOR:BEIGE, UL 94 V-0. *
 *RATED AT QUALIFYING THICKNESS.

⚠ BULK PACKAGED

3. INSTRUCTION SHEET: 408-8675.



| | |
|---|-------------|
| ⚠ | 6588708-2 |
| | 6588708-1 |
| | PART NUMBER |

| | | | |
|---|--|---|---|
| <small>THIS DRAWING IS A CONTROLLED DOCUMENT FOR TYCO ELECTRONICS CORPORATION IT IS SUBJECT TO CHANGE AND THE CONTROLLING ENGINEERING ORGANIZATION SHOULD BE CONTACTED FOR THE LATEST REVISION.</small> | | DWN E. HOPKINS 01 JUN 2005 CHK D. ROHDE 01 JUN 2005 APVD S. BUCHTER 01 JUN 2005 | tyco Tyco Electronics Harrisburg, PA 17105-3608 |
| DIMENSIONS: MM/[IN] | TOLERANCES UNLESS OTHERWISE SPECIFIED: 0 PLC ± 1 PLC ±0.1/[.004] 2 PLC ±0.01/[.0004] 3 PLC ± 4 PLC ± ANGLES ± FINISH ± | PRODUCT SPEC APPLICATION SPEC WEIGHT CUSTOMER DRAWING | NAME SIZE CAGE CODE DRAWING NO A2 00779 C-6588708 |
| CONNECTOR KIT, LC, DUPLEX MM, BUFFER | | | RESTRICTED TO SCALE 4: SHEET OF REV A |