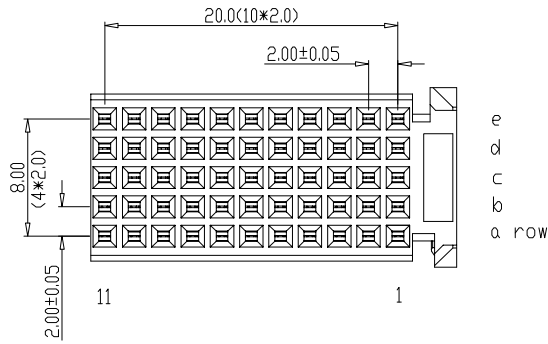
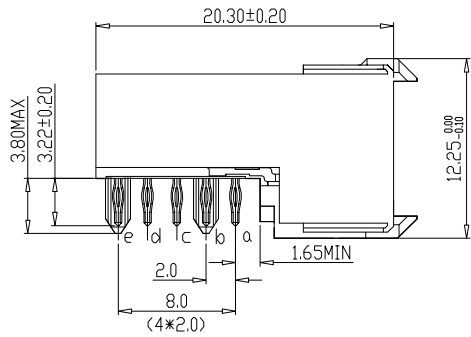


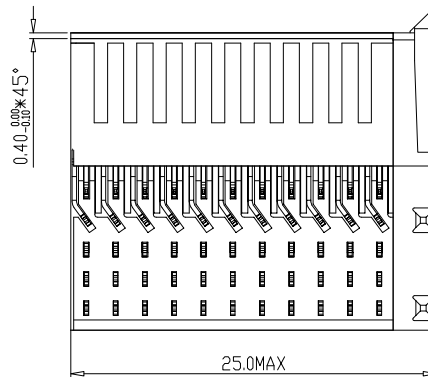
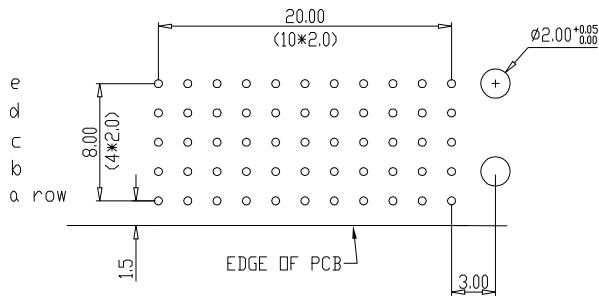


Tous droits strictement reserves. Reproduction ou communication a des tiers interdite sous quelque forme que ce soit sans autorisation ecrite du propriétaire. Propriete de c FCJ. Droits de reproduction FCJ.

All rights strictly reserved. Reproduction or issue to third parties in any form whatever is not permitted without written authority from the proprietor. Property of FCJ. Copyright FCJ.



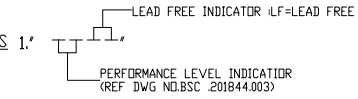
LAY-OUT
P.C.B.- HOLE



PERFORMANCE CHARACTERISTICS

CURRENT RATING 1.5A AT 20°C (FULLY LOADED)
1 A AT 70°C (FULLY LOADED)
RATED VOLTAGE : 500 V AC (CONT /CONT)
OPERATING TEMPERATURE : -55°C TO 125°C
CONTACT RESISTANCE 20 MΩ MAX
INSERTION FORCE : 0.75N MAX/CONT
EXTRACTION FORCE : 0.15N MIN/CONT
INSULATION RESISTANCE : 10⁴ MΩ MIN

NOTES



- THIS PRODUCT IS CSA APPROVED. THIS PRODUCT IS UL RECOGNIZED.
- FOR RECOMMENDED PTH DIMENSIONS REFER DRAWING : BSA.201572.001
- THIS PRODUCT (LF) MEETS EUROPEAN UNION DIRECTIVES AND OTHER COUNTRY REGULATIONS AS DESCRIBED IN GS-22-008

rev	ecn no	dr	date
A	CONVERSION REVISION 06	KN	14-09-01
B	DG05-0278	Kason	02-08-05
C	DG07-0362	Kason	05-09-07
D	DG08-0159	NZ	06-12-08
E	DG10-0110	NZ	05-30-10

Material		Spec ref	
Mat code	Heatreat	tolerance IDEC ± 0.2 IDEC 2DEC ± 0.1 2DEC ANGLES ± 1° HEIKEN	projection MM
Plating/Finish			
Dr	W.Panis	10-01-95	size A4
Eng		Product family	MILLIPACS
Chr		Model Name	ECN
Appr		Model Revision	REL Level
FCJ		title	MPACS 5+2R RA RCP CONN TYPE CR
Pro/E file		catalog no	HM2R20PA5100----
		dwg no	BSC201418023
			Rev. E
		CUSTOMER DRAWING	sheet 1 of 1