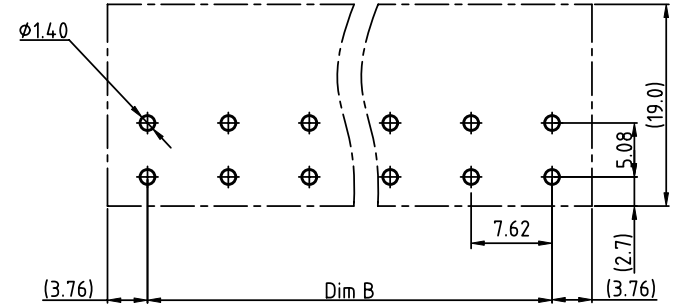
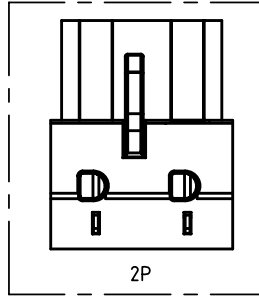
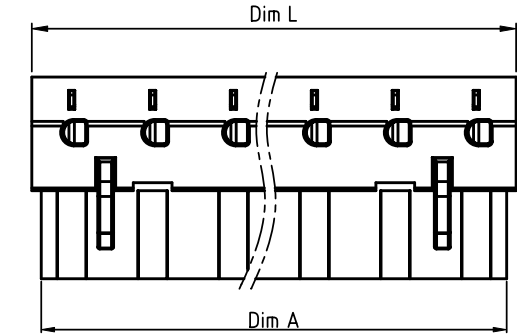
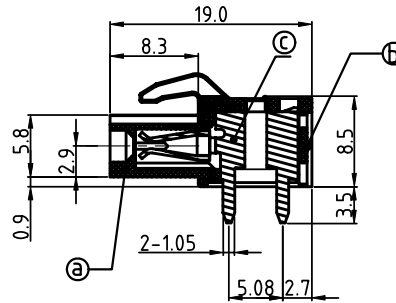
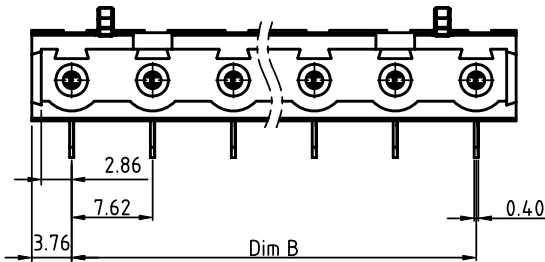


PRODUCT NUMBER	PITCH
V7xx01x100J0G	7.62 mm



RECOMMENDED P.C.B LAYOUT
TOP VIEW



Material:

- Item ① Terminal body: Thermoplastic (UL94V-0)
- Item ② Terminal Cover: Thermoplastic (UL94V-0)
- Item ③ Female contact: High conductivity copper, Tin plated

Electrical cULus

- Voltage rating: 300VAC
- Current rating: 20A
- Withstanding Voltage: 1.6kv
- Operating temperature: -40°C to +115°C
- Soldering temperature: 260°C±5°C/5 Sec
- Safety Approval:

N=Number of poles
Dim L=(N-1)×7.62+7.52
Dim A=N×7.62-1.9
Dim B=(N-1)×7.62

poles	Tolerance
2-6p	±0.15
7-12p	±0.20
13-16p	±0.30

PART NO.: V7 xx 0 1 x 1 00J0 G

Solid block	0	Color	RoHS compliant
No. of poles	2	Black (RAL9005)	(lead<4%)
02 2poles	3	Red (RAL3001/D)	In copper Alloy
03 3poles	4	Orange(RAL2011/P)	
...	5	Yellow(RAL1018/A)	
16 16poles	6	Green(RAL6018/T)	
	7	Blue (RAL5015/A)	
	8	Grey(RAL7035/D)	
	9	White(RAL1102)	
	C	Green(RAL6018/U)	

mat'l. code		surface ASME Y14.5	tolerance ASME Y14.5	projection	product family
ltr	ecn no	dr	date		TERMINAL BLOCK
				tolerances unless otherwise specified	title
				angles	TERMINAL BLOCK
				MM	PLUGGABLE PCB PLUG,RIGHT ANGLE
				scale	dwg no
				dr	sheet 1 of 1
				enr	size
				chr	V7xx01x100J0G
				appd	A4
				type	CUSTOMER Drawing
sheet index	revision	A			
sheet	1				