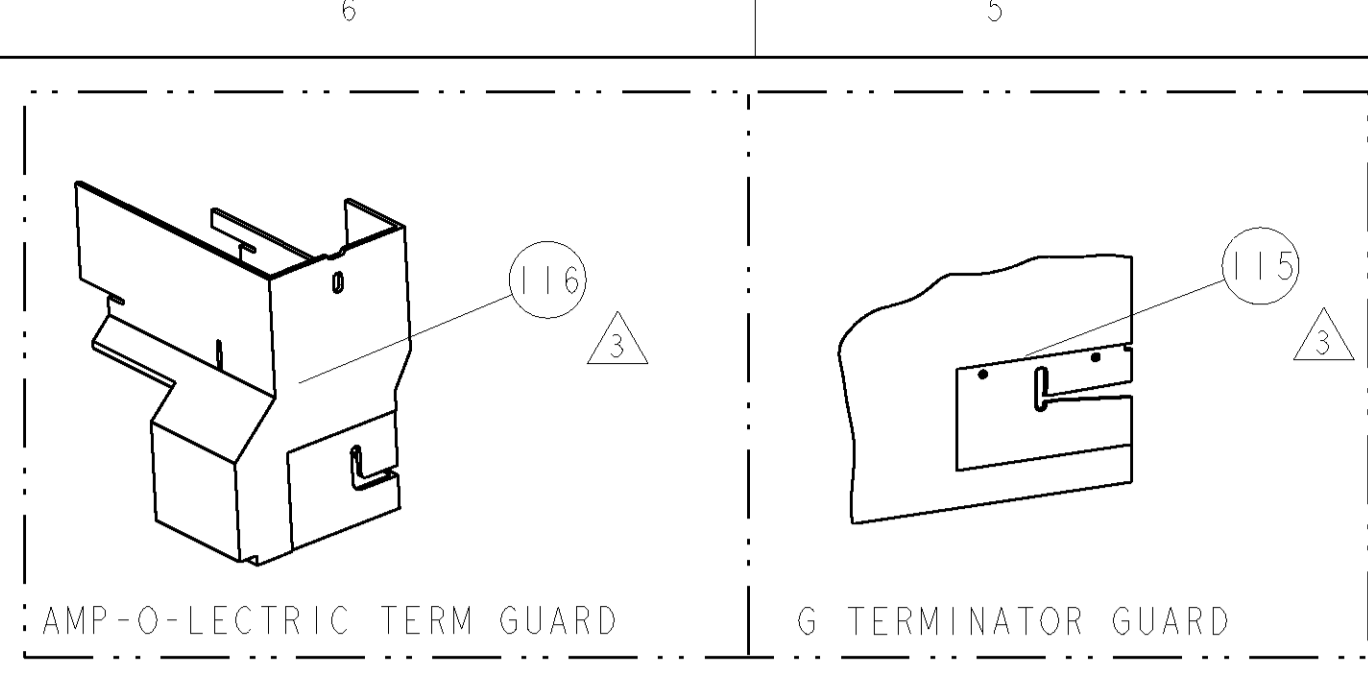


PART NUMBER	REV	FIRST USED	POWER UNIT	FEED TYPE	DESCRIPTION
1855332-1	A	122500-1	LEADMAKER	POST FEED	CUTS CARRIER
1855332-2	A	565435-5	BENCH MODEL K	PRE FEED	CUTS CARRIER
1855332-3	A	354500-1	BENCH MODEL G	PRE FEED	CUTS CARRIER
1855332-6	A	122500-1	LEADMAKER	POST FEED	CONTINUOUS CARRIER
7-1855332-7	A	-	-	-	SPARE PARTS

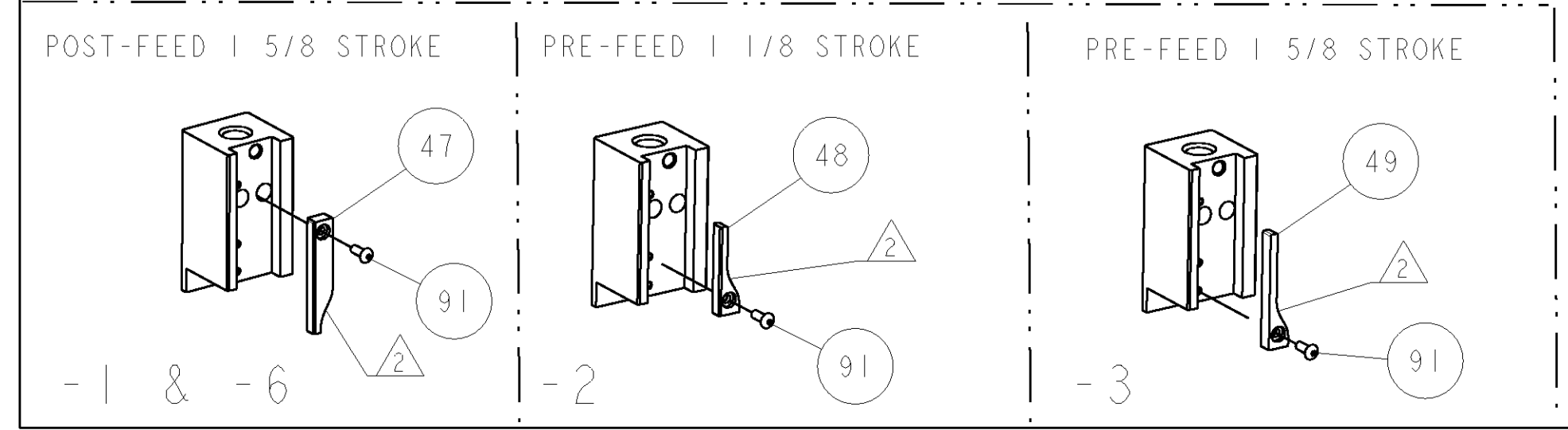
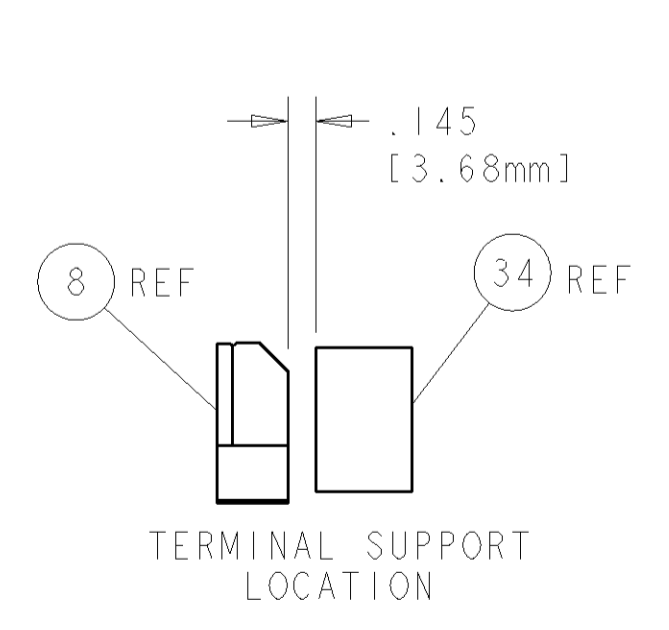
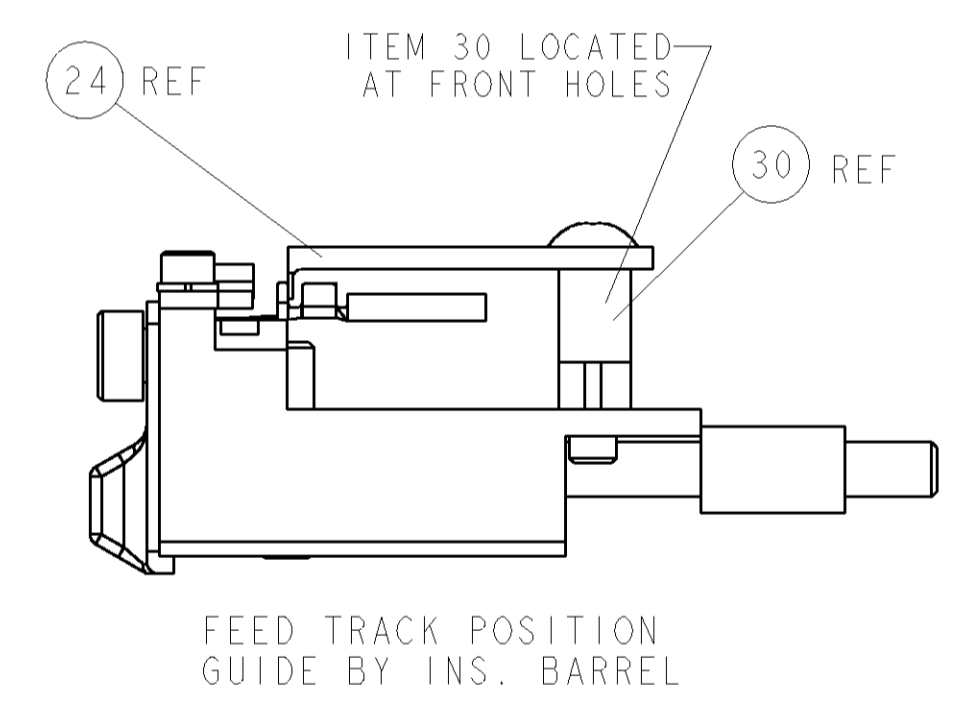
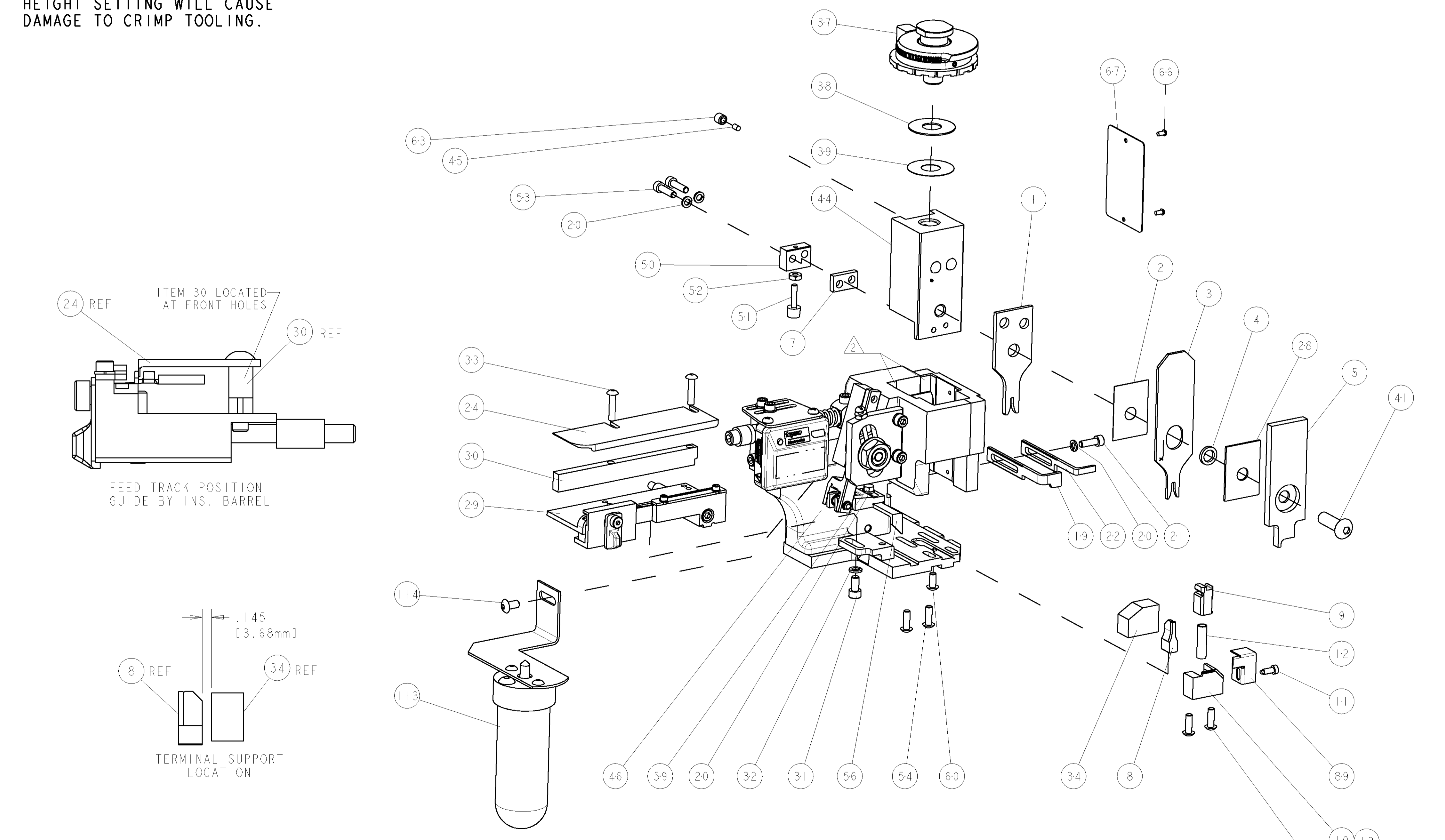


TERMINAL NAME: AUTOMOTIVE SOCKET CONTACT					
SOCKET	PIN	TE TERMINAL - TE CRIMP SPECS		REF SETTING	
-	1-1437284-0				
-	-	CRIMP HEIGHT		WIRE SIZE	
-	-	1.18±0.05mm [.046±.002]		16AWG	
-	-	-		-	
-	-	-		-	
-	-	CRIMP	SIZE	TYPE	RANGE
-	-	WIRE	1.94mm [.076]	F	16 AWG
-	-	INSUL	2.54mm [1.00]	F	∅2.18-2.92
WIRE STRIP LENGTH	TERM APPL SPEC	FEED	APPLICATOR INSTRUCTIONS		SET UP GAGE
3.95-4.45	NONE	8.00	408-8040		458637-1

LOC	DIST	P	LTR	DESCRIPTION	DATE	BY	APPD
A	66			RELEASED	18SEP2007	LG	GB

- △ RECOMMENDED SPARE PARTS
- △ GREASE LIGHTLY
- △ GUARD MUST BE IN PLACE WHEN OPERATING APPLICATOR IN A BENCH MACHINE
- △ SEE DRAWING 1456216

*** WARNING**
 ON INSTALLATION, SET WIRE DISC TO LARGEST WIRE SIZE SETTING. USE OF SETTINGS BELOW MIN. REQUIRED CRIMP HEIGHT SETTING WILL CAUSE DAMAGE TO CRIMP TOOLING.



△	-	-	-	REF	-	..	455749-1	GUARD WINDOW	116
△	-	-	-	REF	-	..	679532-1	INSERT, GUARD	115
-	-	-	-	-	-	-	2-21002-6	SCR, BTN SKT HD CAP 10-32 X .375	114
-	-	-	-	-	-	..	1-465184-0	LUBRICATOR ASSY	113
-	1	1	1	1	1	-	1-21002-7	SCR, BTN SKT HD CAP 6-32 X .375	91
-	1	1	1	1	1	-	318563-1	GUARD, FRONT CHIP	89
-	1	1	1	1	1	-	4088040	SF APPL INST 408-8040	72
-	1	1	1	1	1	-	217238-1	GENERAL INSTRUCTION PKG	71
-	1	1	1	1	1	-	461264-5	PLATE, IDENTIFICATION	67
-	2	2	2	2	2	-	21017-2	SCREW, DRIVE	66
-	1	1	1	1	1	-	21009-2	SCR, SET, SELF LOCKING 1/4-20 X .250	63
-	1	1	1	1	1	-	22733-8	SCR, BHSC, SELF-LOCKING, 8-32 X .375	60
-	1	1	1	1	1	-	2-22603-0	SCR, HEX HD CAP 8-32 X .312	59
-	1	1	1	1	1	-	458537-2	PAWL, FEED	56
-	4	4	4	4	4	-	2-21002-2	SCR, BTN SKT HD CAP 8-32 X .500	54
-	2	2	2	2	2	-	2-21000-8	SCR, SKT HD CAP 8-32 X .625	53
-	1	1	1	1	1	-	21018-5	NUT, HEX, REG 6-32	52
-	1	1	1	1	1	-	811242-2	BUMPER, HOLD DOWN	51
-	1	1	1	1	1	-	690753-1	SPACER, TONKER	50
-	-	-	-	-	-	..	690602-6	CAM, PRE FEED, 1 5/8	49
-	-	-	-	-	-	..	690602-5	CAM, PRE FEED, 1 1/8	48
-	1	1	1	1	1	-	690501-4	CAM, POST FEED, 1 5/8	47
-	1	1	1	1	1	-	459456-1	APPL. BASIC SUB ASSY (SIDE WISE MOCA)	46
-	1	1	1	1	1	-	690191-1	PLUG, NYLON	45
-	1	1	1	1	1	-	455673-1	RAM, SIDE FEED	44
-	1	1	1	1	1	-	7-21002-9	SCR, BTN SKT HD CAP 5/16-24 X 1.00	41
-	1	1	1	1	1	-	690125-1	SHIM SUB-ASSY	39
-	1	1	1	1	1	-	469367-8	SHIM	38
-	1	1	1	1	1	-	879103-3	FINE ADJUST HEAD ASSEMBLY	37
-	1	1	1	1	1	-	690786-6	TERMINAL SUPPORT	34
-	2	2	2	2	2	-	2-21002-4	SCR, BTN SKT HD CAP 8-32 X .750	33
-	1	1	1	1	1	-	21024-5	WASHER, SPRG LOCK, REG NO 10	32
-	1	1	1	1	1	-	3-21000-4	SCR, SKT HD CAP 10-32 X .375	31
-	1	1	1	1	1	-	1-1320908-5	SPACER, STRIP GUIDE	30
-	1	1	1	1	1	-	1633091-2	ASSEMBLY, STRIP GUIDE	29
-	1	1	1	1	1	-	1-455888-0	SPACER, CRIMPER	28
-	1	1	1	1	1	-	1320928-1	PLATE, STRIP GUIDE	24
-	1	1	1	1	1	-	690472-2	STRIPPER	22
-	1	1	1	1	1	-	2-21000-7	SCR, SKT HD CAP 8-32 X .500	21
-	4	4	4	4	4	-	21024-4	WASHER, SPRG LOCK, REG NO 8	20
-	-	-	-	-	-	-	691353-1	STRIPPER	19
△	1	1	1	1	1	-	679625-1	SHEAR HOLDER, FRONT (NO CUT)	13
△	1	1	1	1	1	-	3-22280-3	SPRING, COMPRESSION	12
△	1	1	1	1	1	-	690461-1	STOP, SHEAR	11
△	-	-	-	-	-	-	690459-1	SHEAR HOLDER, FRONT	10
△	1	1	1	1	1	-	1-454276-9	FLOATING SHEAR, FRONT	9
△	1	1	1	1	1	-	5-318711-1	ANVIL, COMBINATION	8
△	1	1	1	1	1	-	2-240641-4	SPACER	7
-	-	-	-	-	-	..	-	-	6
-	1	1	1	1	1	-	1-455889-4	DEPRESSOR, SHEAR	5
-	1	1	1	1	1	-	238011-7	BLOCK, CRIMPER SPACER	4
△	1	1	1	1	1	-	3-683453-0	CRIMPER, INSULATION PREMIUM	3
△	1	1	1	1	1	-	455888-2	SPACER, CRIMPER	2
△	1	1	1	1	1	-	5-1490019-4	CRIMPER, WIRE PREMIUM	1

DIMENSIONS:	TOLERANCES UNLESS OTHERWISE SPECIFIED:	DATE	REV	DESCRIPTION	ITEM NO
INCHES	0 PLC ±.010 1 PLC ±.005 2 PLC ±.002 3 PLC ±.001 4 PLC ±.0005 ANGLES ±.001	07SEP2007	07SEP2007	FINE ADJUST SIDE FEED HDM APPLICATOR	
MATERIAL	FINISH	WEIGHT	CAGE CODE	DRAWING NO	RESTRICTED TO
-	-	-	A1100779	1855332	-
CUSTOMER DRAWING		SCALE	SHEET	OF	REV
		3:5	1	1	A

CUSTOMER VIEWABLE ASSEMBLY