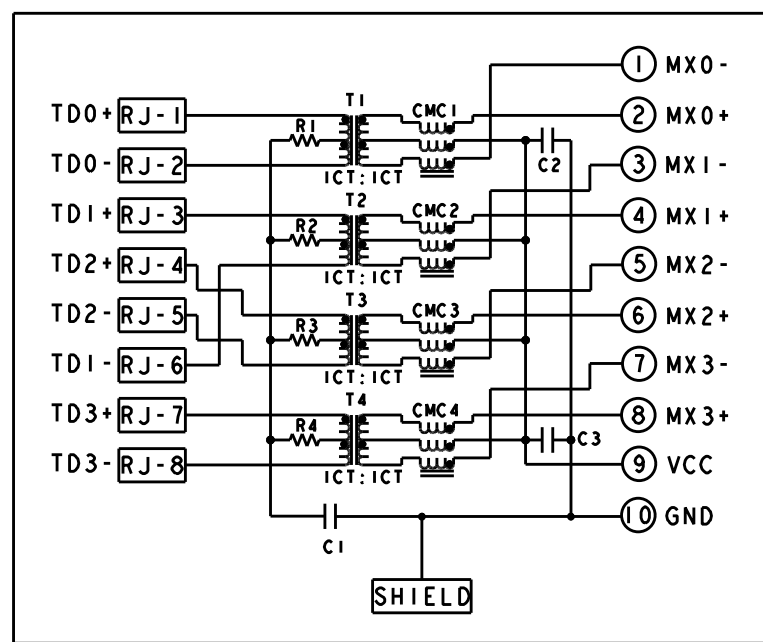
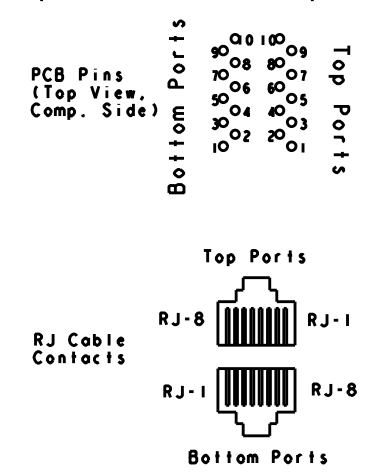


**S8G56 GIGABIT CIRCUIT**   
Top and Bottom Ports



C1 = 1000pF, 2kV Capacitor  
C2 - C3 = 10nF, 50V Capacitors  
R1-R4 = 75 Ohms, 1/16 W, Resistors

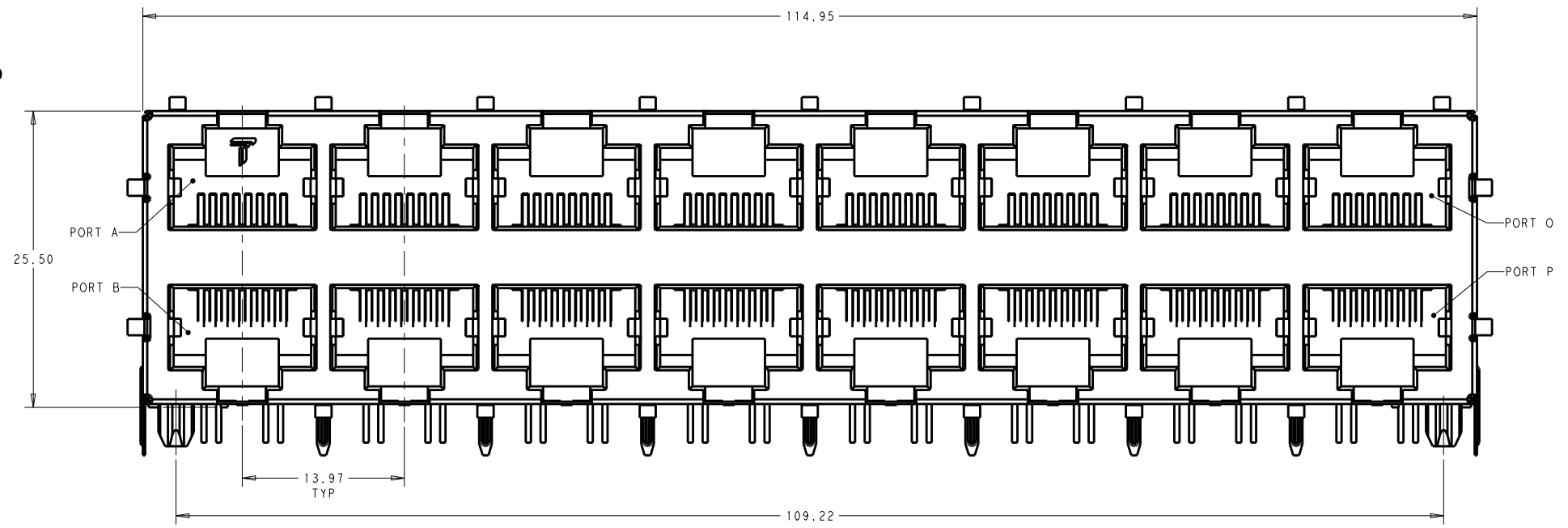
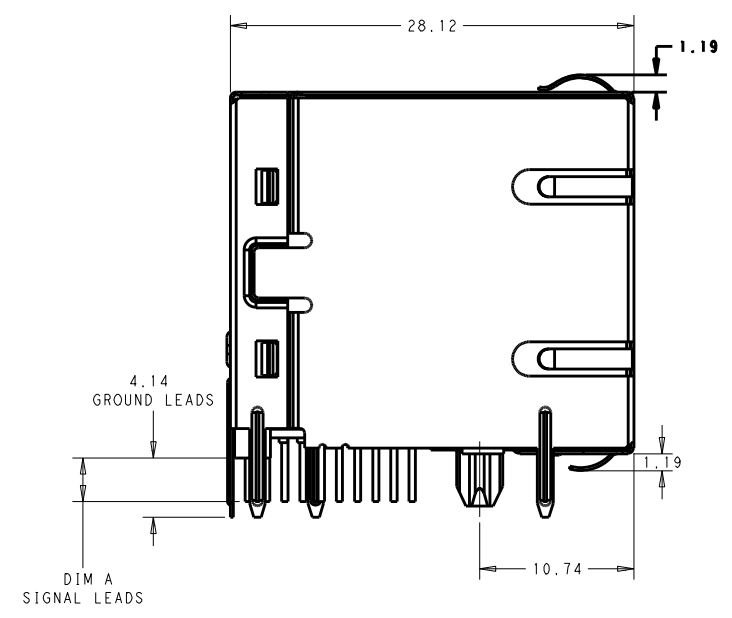
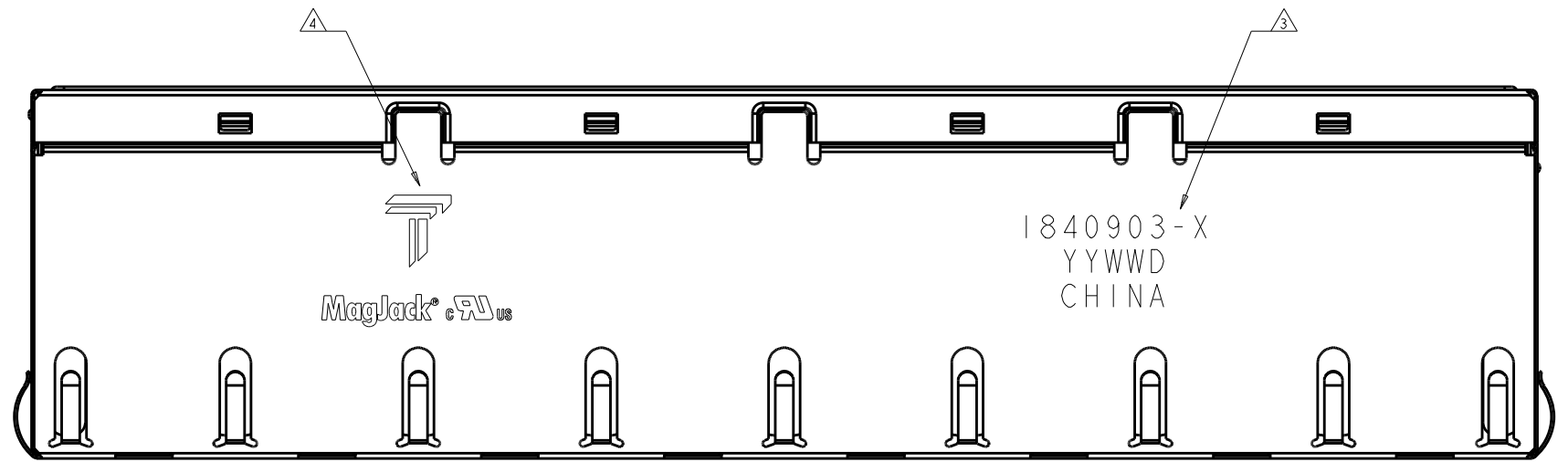
Pin Designations  
(Repeat for each vertical pair of ports.)




1. MATERIALS:  
PLASTIC HOUSING: BLACK, THERMOPLASTIC FLAMMABILITY RATING UL 94V-0  
SHIELD: BRASS, PREPLATED WITH 0.76um MIN SEMI-BRIGHT NICKEL,  
POST DIPPED WITH 2.54um MIN SAC SOLDER ON SOLDER TAILS.  
CONTACTS: PHOSPHOR BRONZE, 1.27um MIN OVERALL NICKEL  
UNDERPLATE WITH SELECT 1.27um MIN GOLD AT MATING INTERFACE  
AND 2.54um MIN MATTE TIN ON SOLDER TAILS.  
ALL PCB BOARDS: HIGH TEMPERATURE PCB, TG>170°C
- MAGNETICS  
APPLICATION: 10/100/1000 BASE-T  
IMPEDANCE: 100 OHMS  
TURNS RATIO (CHIP:CABLE): 1:1 ALL FOUR PAIRS  
OPEN CIRCUIT INDUCTANCE (OCL): 350uH MIN @100kHz, 0.1VRMS,  
8mADC BIAS FROM 0°C TO 70°C, ALL FOUR PAIRS  
ALL FOUR PAIRS BI-DIRECTIONAL  
PERFORMANCE @ 25°C:  
INSERTION LOSS (IL): 1.1dB MAX FROM 0.5MHz TO 100MHz  
RETURN LOSS (RL): 18dB MIN FROM 0.5MHz TO 40MHz  
12-20LOG(f/80)dB MIN FROM 40.1MHz TO 100MHz  
CROSSTALK ATTENUATION: 35dB MIN FROM 0.5MHz TO 40MHz  
33-20LOG(f/50)dB MIN FROM 40.1MHz TO 100MHz  
COMMON MODE REJECTION RATIO (CMRR): 30dB MIN FROM 0.5MHz TO 100MHz  
ISOLATION VOLTAGE: 2250VDC(MAX) FOR 60 SECONDS WITH A RISE TIME OF  
500V/SEC AND WITH ALL PORTS CONNECTED.
- PART NUMBER, DATE CODE AND COUNTRY OF ORIGIN ARE  
LOCATED IN APPROXIMATE AREA SHOWN. DATE CODE: YYWWD "YY" IS YEAR, "WW"  
IS WORK WEEK, "D" IS DAY OF WEEK, WITH SUNDAY=1
- TRP LOGO AND AGENCY APPROVAL LOGO ARE  
LOCATED IN APPROXIMATE AREA SHOWN.
5. OPERATING TEMP: FROM 0°C TO +70°C.
6. RJ45 CAVITY CONFORMS TO FCC RULES AND REGULATION PART 68 SUBPART F.
- INDICATED MAGNETIC CONNECTIONS ARE SYMMETRICAL AND  
SUPPORT AUTO-MDI/MDIX.
- DATUM AND BASIC DIMENSION ESTABLISHED BY CUSTOMER.
- BASIC DIMENSION ESTABLISHED BY CUSTOMER, BUT MAY NOT BE  
GREATER THAN 5.08mm.
10. THE PARTS ARE RECOMMENDED FOR WAVE SOLDERING PROCESS,  
PEAK TEMPERATURE 260°C MAX, 10 SECONDS MAX.

3.56	1840903-4
3.30	1840903-3
2.79	1840903-2
3.04	1840903-1
DIM A	PART NUMBER

THIS DRAWING IS A CONTROLLED DOCUMENT.		DWN TOMMY REN 19NOV2009		DONGGUAN CHINA	
DIMENSIONS: mm		CHK TONY YUAN 19NOV2009			
TOLERANCES UNLESS OTHERWISE SPECIFIED:		APVD KELTH ZHU 19NOV2009		2X8 S8G56 GIGABIT W/O LED	
0 PLC ±0.25		MODEL NAME			
1 PLC ±0.25		MAGJACK		STACK Non-PoE	
2 PLC ±0.25		SIZE CAGE CODE DRAWING NO			
3 PLC ±0.25		A1		1840903	
4 PLC ±0.25		CUSTOMER DRAWING			
PRODUCT SPEC 108-104004		APPLICATION SPEC		SCALE NTS SHEET 1 OF 3 REV G	



THIS DRAWING IS A CONTROLLED DOCUMENT.		DRN TOMMY REN 19NOV2009	 <b>trp</b> CONNECTOR DONGGUAN CHINA
DIMENSIONS: mm		CHK TONY YUAN 19NOV2009	
TOLERANCES UNLESS OTHERWISE SPECIFIED:		APVD KEITH ZHU 19NOV2009	
0 PLC ±0.25 1 PLC ±0.25 2 PLC ±0.25 3 PLC ±* 4 PLC ±* ANGLES ±*		MODEL NAME MAGJACK	DESC 2X8 S8G56 GIGABIT W/O LED
PRODUCT SPEC 108-104004	APPLICATION SPEC	SIZE A1	CAGE CODE DRAWING NO 1840903 RESTRICTED TO -
CUSTOMER DRAWING		SCALE NTS	SHEET 2 OF 3 REV G

