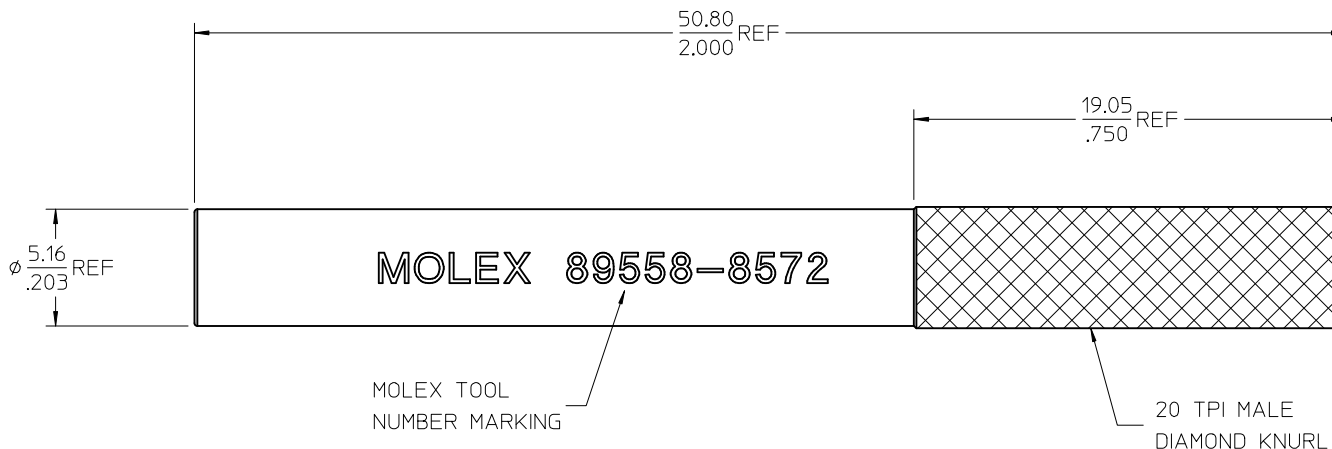
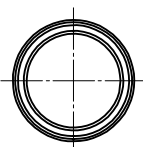
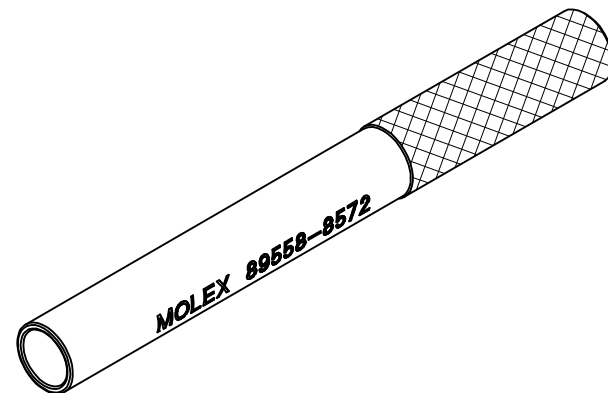


MATERIAL AND FINISHES

REMOVAL TOOL: STAINLESS STEEL,
PASSIVATED



EXTRACTION TOOL FOR
REMOVING SMPM JACKS
FROM VITA 67 BLOCKS

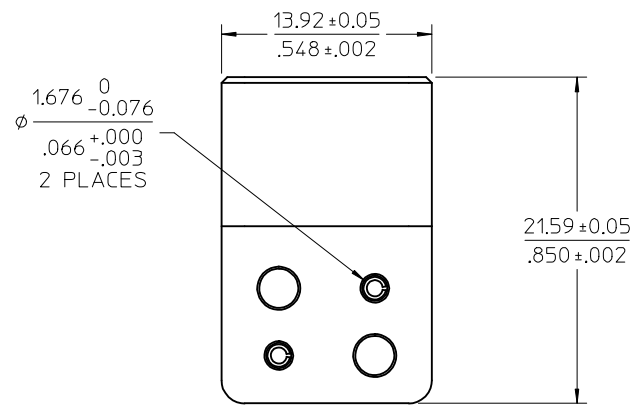
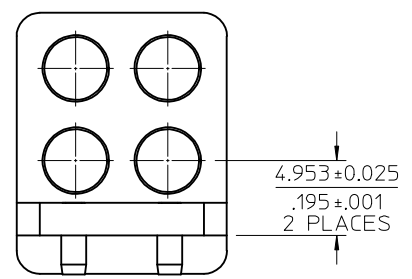
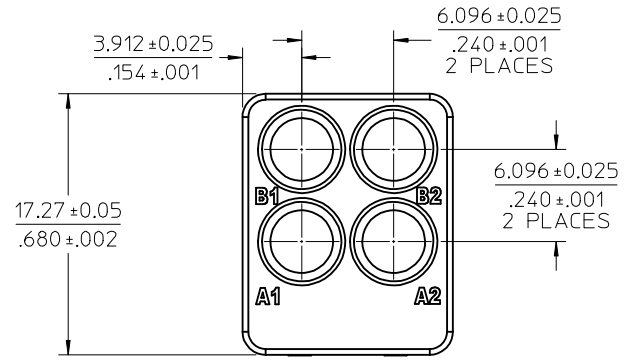
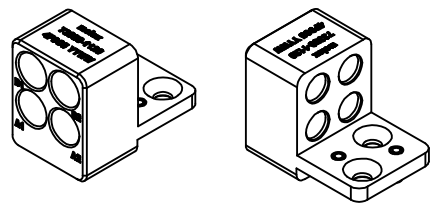
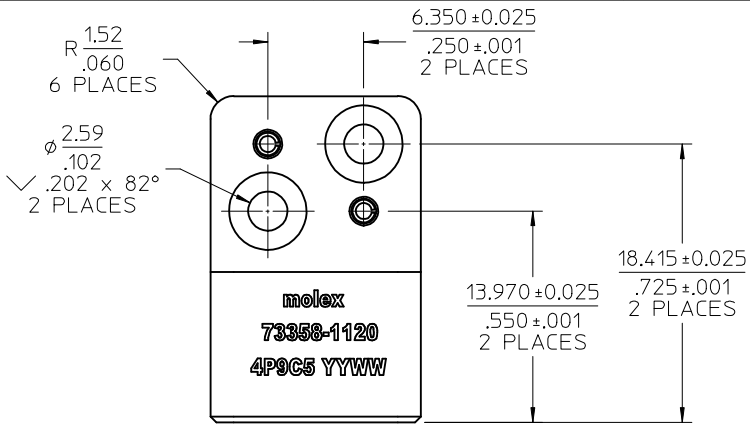
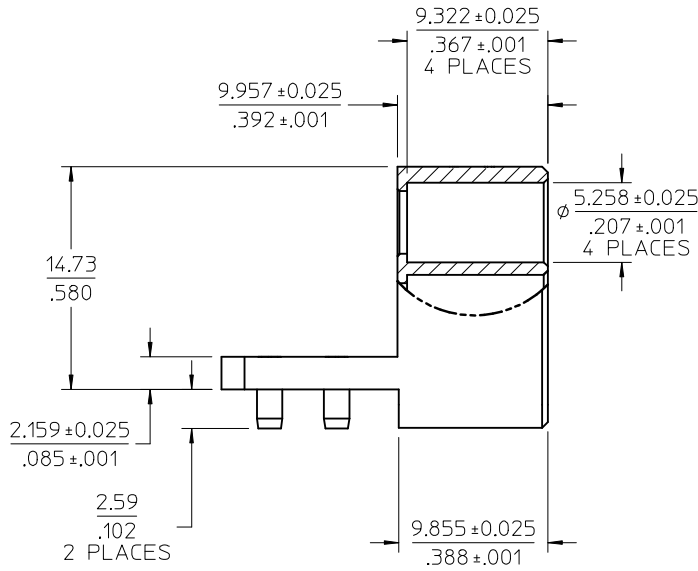
PART # 89558-8572

CHG: UPDATED DRAWING EC NO: URF2017-0318 DRAWN: LMEIER 2017/03/06 CHKD: SSS 2017/03/06 APPR: AROBERTSON 2017/03/07 REV: A1	QUALITY SYMBOLS	GENERAL TOLERANCES (UNLESS SPECIFIED)	DIMENSION STYLE	SCALE	DESIGN UNITS	THIRD ANGLE PROJECTION
	▽=0	mm INCH	MM/IN	INCH	INCH	
	▽=0	4 PLACES ± --- ± ---	DRAWN BY DATE	TITLE		
	▽=0	3 PLACES ± --- ± ---	LMEIER 2017/02/24	SMPM JACK VITA EXTRACTION TOOL		
		2 PLACES ± --- ± ---	CHECKED BY DATE	EWR-10029-B		
		1 PLACE ± --- ± ---	SSS 2017/02/27	molex		
		0 PLACE ± --- ± ---	APPROVED BY DATE	DOCUMENT NO.		
		ANGULAR ± 2 °	AROBERTSON 2017/02/28	SD-89558-857		
		DRAFT WHERE APPLICABLE MUST REMAIN WITHIN DIMENSIONS	MATERIAL NO.	SHEET NO.		
			895588572	1 OF 1		
			THIS DRAWING CONTAINS INFORMATION THAT IS PROPRIETARY TO MOLEX INCORPORATED AND SHOULD NOT BE USED WITHOUT WRITTEN PERMISSION			

MATERIALS AND FINISHES

HOUSING: STAINLESS STEEL
PASSIVATED

ALIGNMENT PINS: STAINLESS STEEL
PASSIVATED



PART # 73358-1120

SEE PS-89675-470 FOR PCB LAYOUT & PLACEMENT

ANSI/VITA 67.1	NATIONAL STANDARD
PS-89675-470	PRODUCT SPECIFICATION
SPECIFICATION	DESCRIPTION

CHG: UPDATED VIEWS TO SHOW CHANGES TO BLOCK. EC NO: URF2016-0744 DRW:BSHAH 2016/05/02 CHKD:SSS 2016/05/02 APPR:AROBERTSON 2016/05/04 B1	QUALITY SYMBOLS ∇=0 ∇=0 ∇=0	GENERAL TOLERANCES (UNLESS SPECIFIED) 4 PLACES ± --- ± --- 3 PLACES ± --- ± 0.005 2 PLACES ± 0.13 ± 0.010 1 PLACE ± 0.25 ± --- 0 PLACE ± --- ± --- ANGULAR ± 2° DRAFT WHERE APPLICABLE MUST REMAIN WITHIN DIMENSIONS	DIMENSION STYLE MM/IN DRAWN BY DATE AROBERTSON 2013/08/16 CHECKED BY DATE SSS 2013/08/16 APPROVED BY DATE JW IENER 2013/10/09	SCALE DESIGN UNITS INCH THIRD ANGLE PROJECTION	TITLE VITA 67.1 4 PORT MODULE FOR DAUGHTER CARD SMPM-GANG, EWR-5185 molex	MATERIAL NO. 733581120 DOCUMENT NO. SD-73358-112	SHEET NO. 1 OF 1
	THIS DRAWING CONTAINS INFORMATION THAT IS PROPRIETARY TO MOLEX INCORPORATED AND SHOULD NOT BE USED WITHOUT WRITTEN PERMISSION						
	SIZE C						
	INCORPORATED AND SHOULD NOT BE USED WITHOUT WRITTEN PERMISSION						